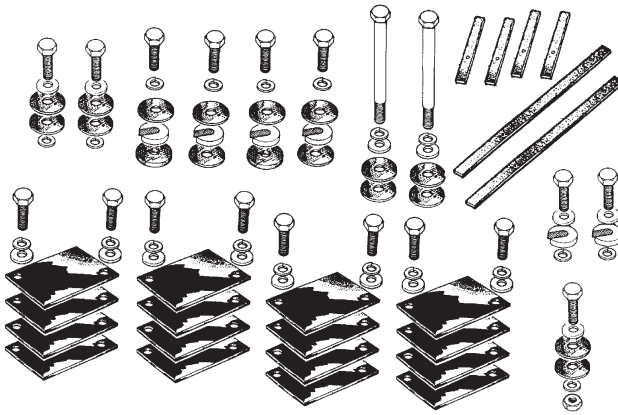


# BODY

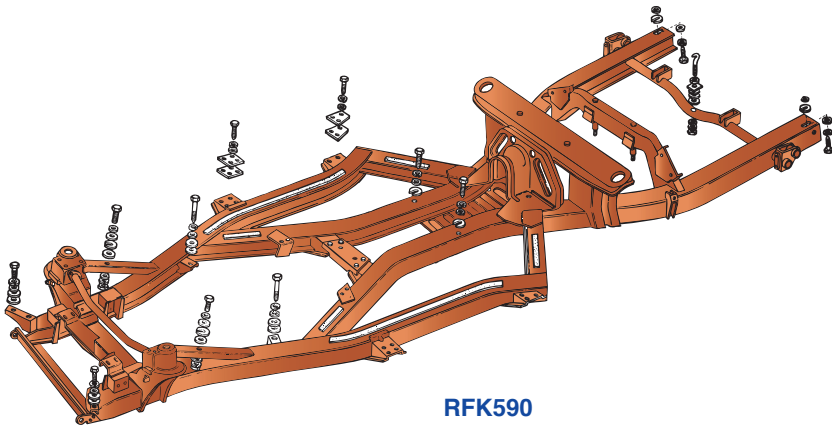
## BODY MOUNTING

### *“TRF Kits Include More Parts”*

TRF’s body mounting kits are packaged as sub-kits so that you have no trouble sorting out individual washers, lock washers, bolts, screws, and body pads. Way better than getting everything loose in a big bag! Virtually every piece of our hardware is made in England. All kits here include correct body mounting pads, thick, thin, round, square, and trapezoidal, plus rubber mounting strips, plus correct hardware, meaning just that, every nut, bolt, washer, and lock washer. TRF has been assembling its own body mounting kits for all Triumph models for the past thirty-two years.



RFK581



RFK590

Part No.	Description	No. Off	Current Prices on Website
----------	-------------	---------	---------------------------

### **BODY MOUNTING KITS;** includes all pads and hardware as original

RFK581	<b>Body Mounting Kit, TR4</b>	1	
RFK590	<b>Body Mounting Kit, TR4A</b>	1	

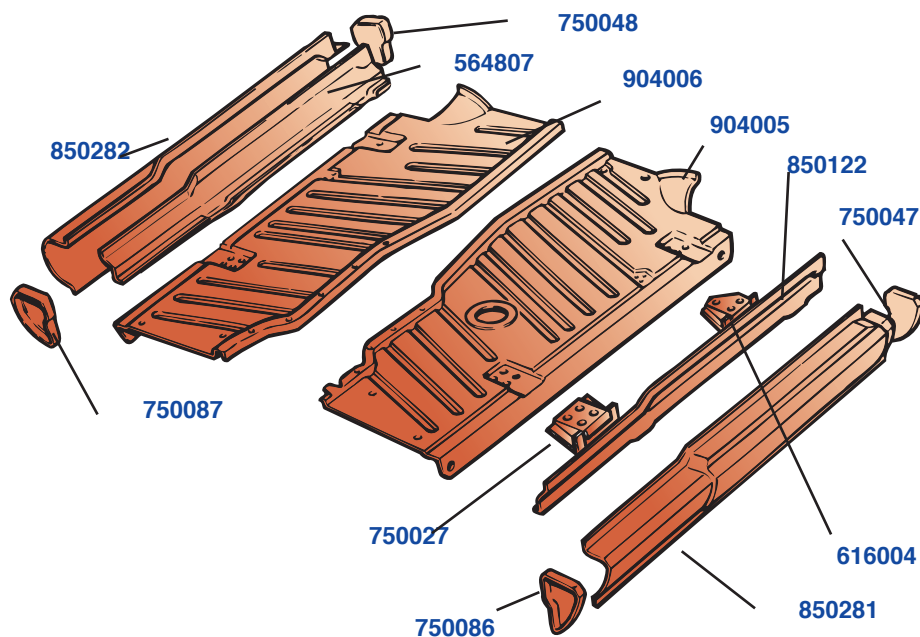
### **INDIVIDUAL BODY PADS**

601994	<b>Pad, round, thin</b>	A/R	
608836	<b>Pad, round, thick</b>	A/R	
611732	<b>Pad, square</b>	A/R	
616613	<b>Pad, trapezoidal, TR4A sill mountings</b>	A/R	
CD26326	<b>Pad, round, aluminium</b>	A/R	

## BODY

## FLOORS AND SILLS

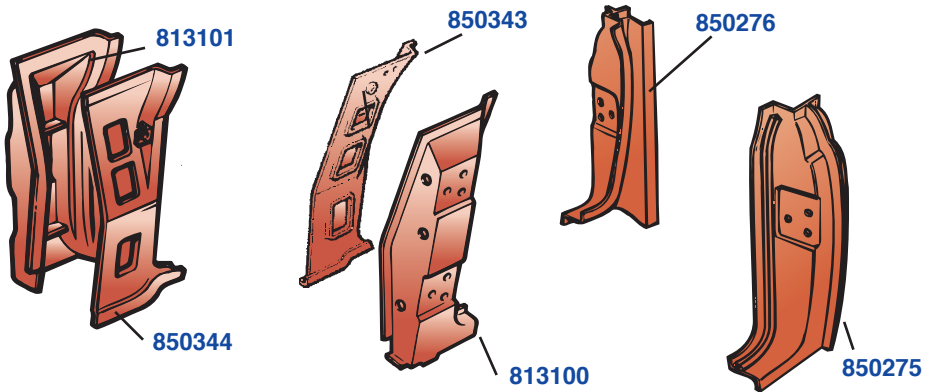
*“Floors and Inner Sills Are Still Made on Triumph Factory Tools...”*



Part No.	Description	No. Off	Current Prices on Website
<b>MAIN FLOOR PANELS</b>			
904005	Main Floor Panel, L.H.	1	
904006	Main Floor Panel, R.H.	1	
<b>SILLS (ROCKER PANELS)</b>			
850281	Outer Sill; rocker panel, L.H.	1	
850282	Outer Sill; rocker panel, R.H.	1	
850122	Inner Sill, L.H.	1	
564807	Inner Sill, R.H.	1	
750163	Channel, door seal retainer; 24-inch length; use as required to repair rusted seal channels	A/R	
<b>SILL END CAPS—COOKIE CUTTERS</b>			
750086	Sill End Cap, L.H., front	1	
750087	Sill End Cap, R.H., front	1	
750047	Sill End Cap, L.H., rear	1	
750048	Sill End Cap, R.H., rear	1	
<b>BODY MOUNTING BRACKETS</b>			
750027	Sill Mounting Bracket, square, TR4	4	
750027	Sill Mounting Bracket, square, front, TR4A	2	
616004	Sill mounting Bracket, trapezoidal, rear, L.H., TR4A	1	
616005	Sill Mounting Bracket, trapezoidal, rear, R.H., TR4A	1	

# BODY

## DOOR POSTS



Part No.	Description	No. Off	Current Prices on Website
----------	-------------	---------	---------------------------

### FRONT DOOR POSTS—A-POSTS

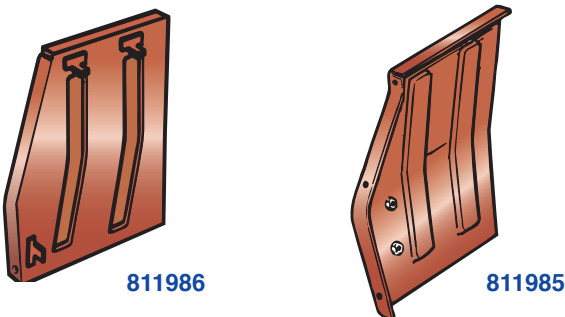
813100	<b>Front Door Post</b> , outer, L.H.	1	
813101	<b>Front Door Post</b> , outer, R.H.	1	
850343	<b>Front Door Post</b> , inner, L.H.	1	
850344	<b>Front Door Post</b> , inner, R.H.	1	

### REAR DOOR POSTS—B-POSTS

850275	<b>REAR DOOR POST</b> , L.H.	1	
850275/RP	<b>Rear Door Post Panel</b> , front section, L.H.	1	
850421	<b>Rear Door Post Panel</b> , rear section, L.H.	1	
850276	<b>REAR DOOR POST</b> , R.H.	1	
850276/RP	<b>Rear Door Post Panel</b> , front section, R.H.	1	
850422	<b>Rear Door Post Panel</b> , rear section, R.H.	1	

## BULKHEAD END PANELS

These are the panels beside your leg as you sit in the car



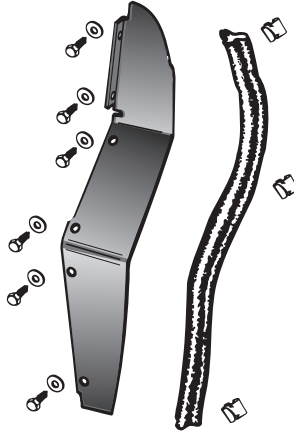
Part No.	Description	No. Off	Current Prices on Website
----------	-------------	---------	---------------------------

811985	<b>Bulkhead End Panel</b> , side, L.H.	1	
811986	<b>Bulkhead End Panel</b> , side, R.H.	1	

## BODY

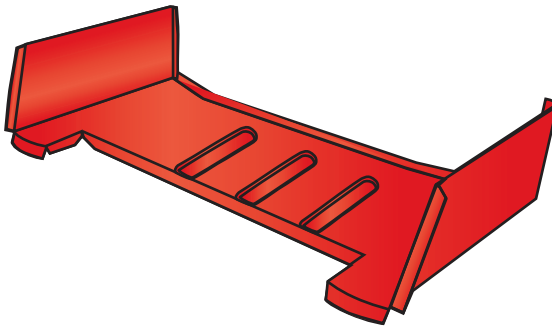
## BULKHEAD SPLASH PANELS

RFK755



Part No.	Description	No. Off	Current Prices on Website
RFK755	<b>SPLASH PANEL KIT, L.H.;</b> includes plate, seal, clips, and hardware	1	
RFK756	<b>SPLASH PANEL KIT, R.H.;</b> includes plate, seal, clips, and hardware	1	
750150	<b>Splash Panel,</b> behind front wheel, L.H., black powder coated finish	1	
750151	<b>Splash Panel,</b> behind front wheel, R.H., black powder coated finish	1	
650172	<b>Rubber Seal,</b> between splash panels and front fenders	2	
606389	<b>Clip,</b> securing seals	6	
HU706	<b>Set Screw,</b> plates to body	12	
WM57	<b>Plain Washer,</b> plates to body	12	

## BATTERY BOX REPAIR

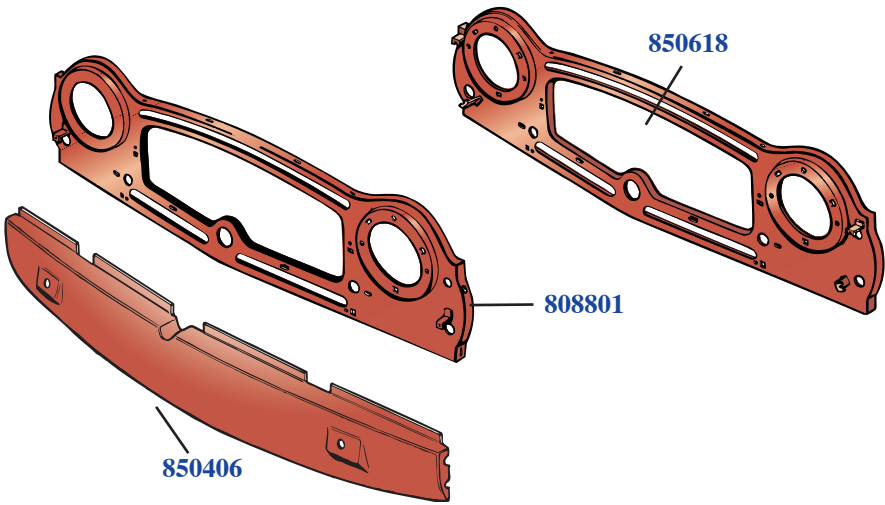


CAR2

Part No.	Description	No. Off	Current Prices on Website
CAR2	<b>Battery Box Repair Section,</b> steel; center bulkhead section from gutter to gutter	1	

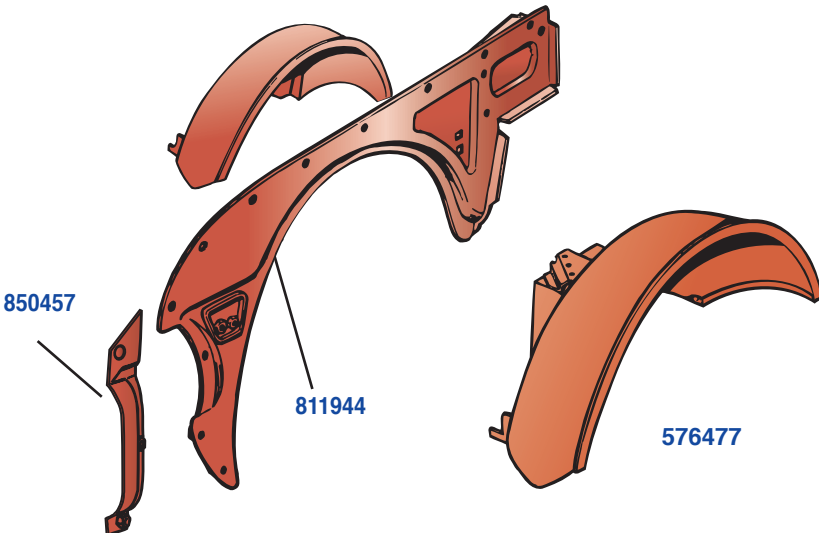
# BODY

## FRONT VALANCE PANELS



Part No.	Description	No. Off	Current Prices on Website
850406	<b>Front Valance</b> , lower	1	
850618	<b>Front Valance</b> , upper, TR4	1	
808801	<b>Front Valance</b> , upper, TR4A	1	

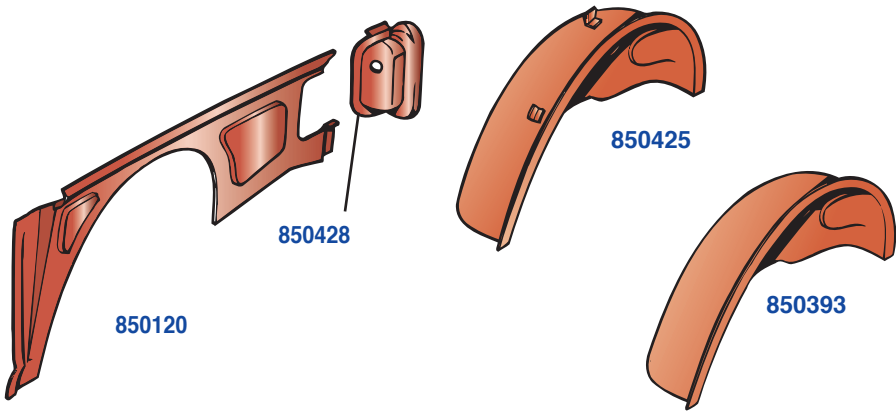
## INNER FRONT FENDERS



Part No.	Description	No. Off	Current Prices on Website
850457	<b>Filler Panel</b> , front fender, L.H.	1	
850458	<b>Filler Panel</b> , front fender, R.H.	1	
811944	<b>Inner Front Fender Panel</b> , L.H.	1	
811945	<b>Inner Front Fender Panel</b> , R.H.	1	
576477	<b>Wheel Arch Assembly</b> , L.H.	1	
576478	<b>Wheel Arch Assembly</b> , R.H.	1	

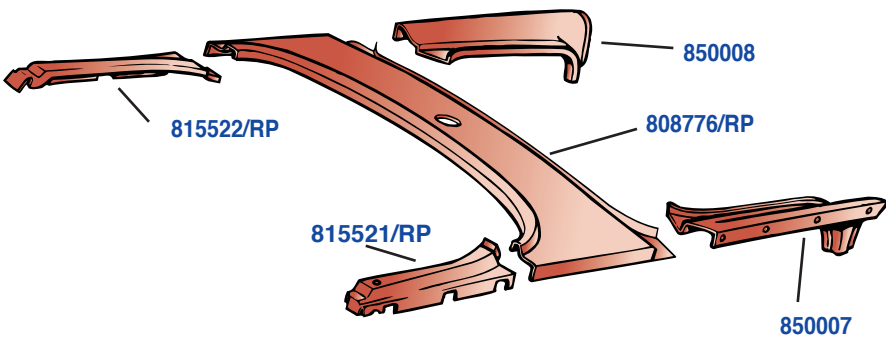
## BODY

## INNER REAR FENDERS



Part No.	Description	No. Off	Current Prices on Website
850120	<b>Inner Rear Fender Panel, L.H.</b>	1	
850121	<b>Inner Rear Fender Panel, R.H.</b>	1	
850428	<b>Lamp Housing, L.H.</b>	1	
850429	<b>Lamp Housing, R.H.</b>	1	
850425	<b>Wheel Arch Assembly, rear, L.H., TR4</b>	1	
850426	<b>Wheel Arch Assembly, rear, R.H., TR4</b>	1	
850393	<b>Wheel Arch, rear, L.H., TR4A</b>	1	
850394	<b>Wheel Arch, rear, R.H., TR4A</b>	1	

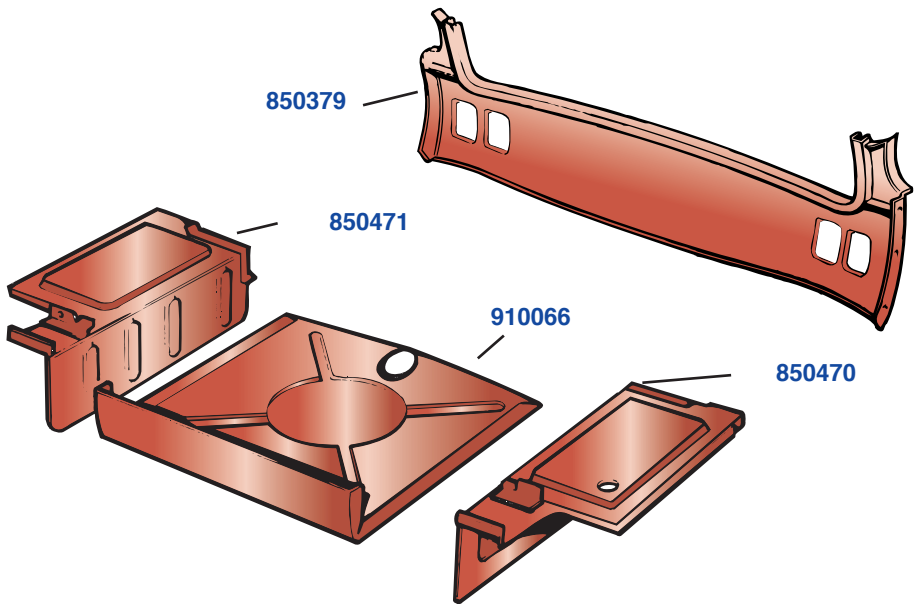
## REAR DECK



Part No.	Description	No. Off	Current Prices on Website
808776/RP	<b>Rear Deck Panel, center section with fuel filler hole</b>	1	
815521/RP	<b>Forward Piece; cockpit side, L.H.</b>	1	
815522/RP	<b>Forward Piece; cockpit side, R.H.</b>	1	
850007	<b>Rear Piece; trunk side, L.H.</b>	1	
850008	<b>Rear Piece; trunk side, R.H.</b>	1	

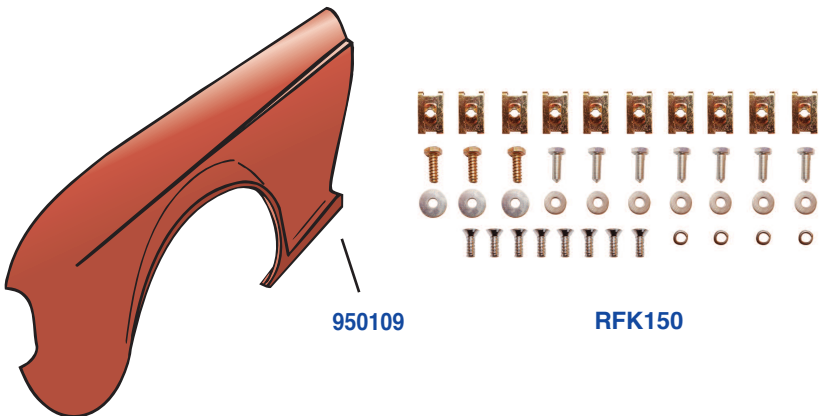
## BODY

### REAR VALANCE AND TRUNK FLOORS



Part No.	Description	No. Off	Current Prices on Website
813650	<b>Trunk Panel</b> , outer skin	1	
850379	<b>Rear Valance</b>	1	
910066	<b>Trunk Floor Pan</b> , center section	1	
850470	<b>Trunk Floor Panel</b> , side, L.H.	1	
850471	<b>Trunk Floor Panel</b> , side, R.H.	1	

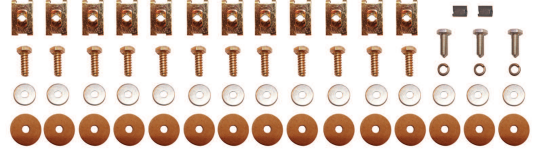
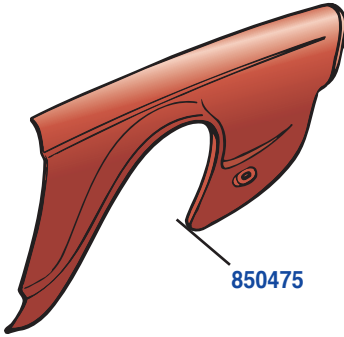
### OUTER FRONT FENDERS



Part No.	Description	No. Off	Current Prices on Website
950109	<b>Front Fender</b> , L.H., steel	1	
950110	<b>Front Fender</b> , R.H., steel	1	
RFK150	<b>Hardware Kit</b> , mounting front fenders	2	

## BODY

## OUTER REAR FENDERS

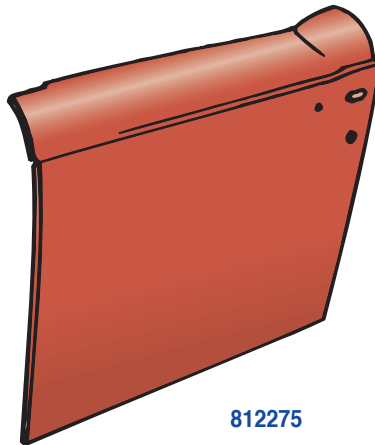


RFK160

Part No.	Description	No. Off	Current Prices on Website
850475	<b>Rear Fender, L.H., steel</b>	1	
850476	<b>Rear Fender, R.H., steel</b>	1	
RFK160	<b>Hardware Kit, mounting fenders</b>	2	

## DOOR SKINS

Please note that these are TR6 door skins made on original tooling by British Motor Heritage and they will fit TR4 and TR4A with minor modifications. The TR6 door skins are already pierced for the TR6 door handle and separate lock assembly. These holes will need to be filled in and new holes will need to be pierced to accommodate TR4/TR4A door handles.

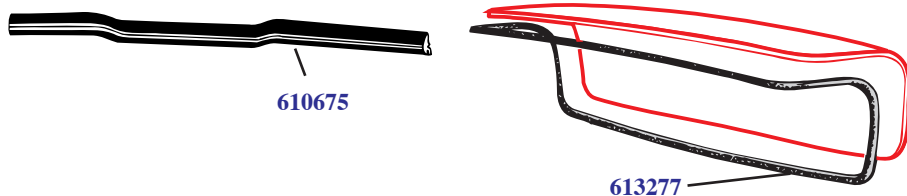


Part No.	Description	No. Off	Current Prices on Website
812775	<b>Door Skin, TR6 type, L.H.</b>	1	
812776	<b>Door Skin, TR6 type, R.H.</b>	1	



## BODY SEALS

### BONNET AND TRUNK LID SEALS



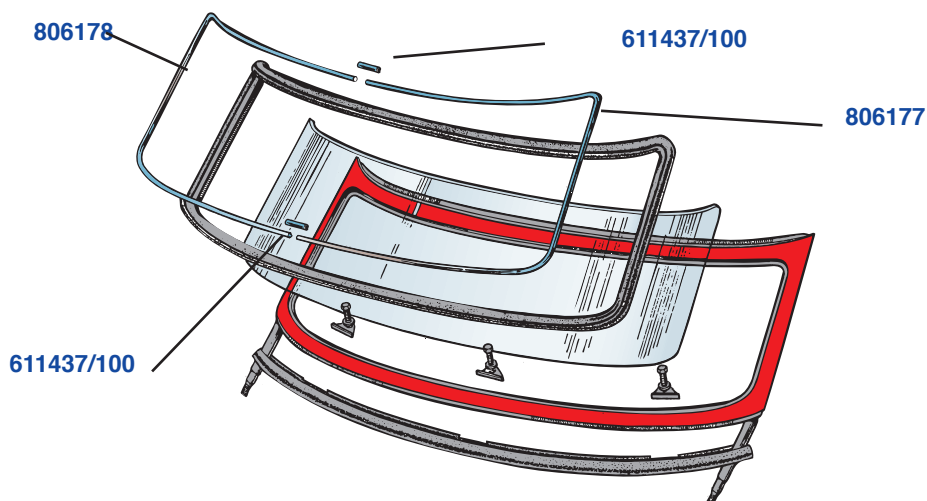
Part No.	Description	No. Off	Current Prices on Website
610675	<b>Bonnet Seal</b>	1	
613277	<b>Trunk Lid Seal</b> , original type	1	
716630/138	<b>Trunk Seal</b> , TR6 type for improved fit	1	

### WINDSCREEN TRIM COMPONENTS AND SEALS

#### *“TRF has Produced Correct Chromed Metal Joint Clips in Several Lengths”*

Several years ago, the supplier of the 611437 windscreen finisher joint clips began to supply the clip in chromed plastic. Little details are important to us at TRF so we have arranged to have the correct clips made in a one-inch length for early TR4's and in a 1-1/2 inch length for later TR4's and all TR4's. Early cars used a chromed metal two-piece finisher, later cars had a chromed plastic finisher. The early finishers have not been available for many years but we are listing them here for reference purposes.

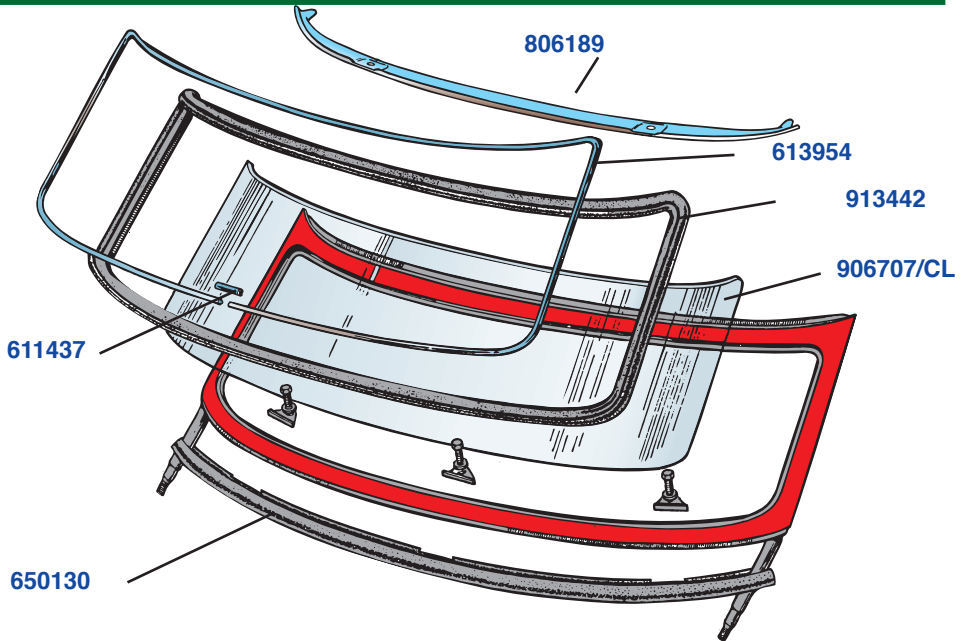
Because the plastic trim strips used on the later cars will shrink over time, customers have requested longer joint clips. For this reason, we are offering our chromed metal joint clips in 1-3/4 inch and 2-inch lengths.



Part No.	Description	No. Off	Current Prices on Website
<b>WINDSCREEN TRIM</b> , TR4 up to body no. CT24516			
806177	<b>Finisher</b> , chromed metal, L.H.	1	
806178	<b>Finisher</b> , chromed metal, R.H.	1	
611437/100	<b>Joint Clip</b> , chromed metal, one-inch long	2	

Section Continues On Next Page

## WINDSCREEN TRIM COMPONENTS AND SEALS —Continued



Part No.	Description	No. Off	Current Prices on Website
----------	-------------	---------	---------------------------

### WINDSCREEN TRIM, TR4 after body no. CT24516, TR4A

RFK147	<b>Windscreen Trim Kit</b> ; includes one chromed plastic finisher and one chromed metal joint clip	1	
613954	<b>Trim Strip</b> , chromed plastic	1	
611437	<b>Joint Clip</b> , chromed metal, 1-1/2 inches long as original	1	

### JOINT CLIPS IN LONGER LENGTHS, use these to cover gaps left by shrinking plastic trim strips

611437/175	<b>Joint Clip</b> , chromed metal, 1-3/4 inch length	A/R	
611437/200	<b>Joint Clip</b> , chromed metal, 2-inch length	A/R	

### WINDSCREEN SEALS

913442	<b>Seal</b> , glazing; around windscreen glass	1	
650130	<b>Rubber Seal</b> , windscreen frame to body	1	

### WINDSCREEN GLASS

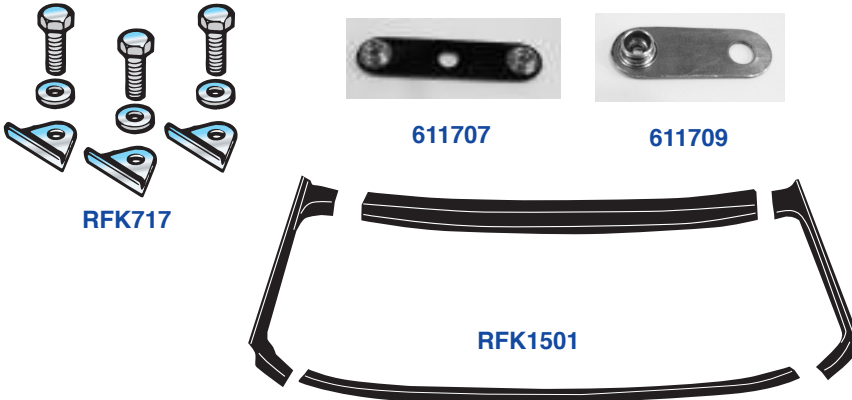
906707/CL	<b>Windscreen Glass</b> , clear	1	
906707/TI	<b>Windscreen Glass</b> , lightly tinted	1	
CRATE35	Crating Charge on the above	1	

### WINDSCREEN CAPPINGS

806189	<b>Windscreen Capping</b> , all TR4	1	
806189	<b>Windscreen Capping</b> , TR4A with Surrey soft top	1	
808231	<b>Windscreen Capping</b> , TR4A soft top models	1	
554407	<b>Rivet</b> , securing windscreen cappings	11	

Section Continues On Next Page

## WINDSCREEN TRIM COMPONENTS AND SEALS —Continued



Part No.	Description	No. Off	Current Prices on Website
RFK1501	<b>VINYL TRIM KIT</b> , to finish inside of windscreen frame, pre-moulded, four pieces	1	
	<b>WINDSCREEN FRAME TO BODY FITTINGS</b>		
RFK717	<b>WINDSCREEN FRAME TO DASH TOP MOUNTING KIT</b>	1	
611669	<b>Cover Plate</b>	3	
611638	<b>Bolt</b> 3		
510065	<b>Washer</b> , plain	3	
	<b>TONNEAU COVER MOUNTING PLATES</b> ; fitted to top of dash behind windscreen frame; includes DOT type studs for securing front of tonneau cover		
611707	<b>Tonneau Cover Mounting Plate</b> , center, with two studs	1	
611709	<b>Tonneau Cover Mounting Plate</b> , outer, with single stud	2	
	<b>WINDSCREEN FRAME BRACKETS TO BULKHEAD UNDER DASH</b>		
650313	<b>Packing</b> , fibre, brackets to bulkhead	2	
	<b>HARDWARE</b> , securing brackets to A-post, lower		
HU708	<b>Screw</b> , set	2	
WM57	<b>Washer</b> , plain	2	
WL207	<b>Washer</b> , lock	2	
	<b>HARDWARE</b> , securing brackets to A-post, upper		
HU705	<b>Screw</b> , set	4	
WP35	<b>Washer</b> , plain	6	
WL207	<b>Washer</b> , lock	6	
FQ3405/4	<b>Nut</b> , Retainer	2	
	<b>HARDWARE</b> , securing windscreen frame to brackets; fitted to end of posts on windscreen frame under dash		
TN3208	<b>Nut</b> , nyloc	2	
WP139	<b>Washer</b> , plain	2	

## BODY SEALS

### DOOR TOP SEALS

*“TRF Supplies the Best Waist Seals on the Market”*

We have worked hard to develop correct waist seals for the TR4 and TR4A. Outer seals are straight and stiff to press up against the side windows, and they are coated on the underside to allow the windows to roll up and down without the edge of the seals rolling under. Each outer seal is embedded with a steel strip to hold the clips and to keep the seals stiff. It is hard to believe but there are outer waist seals on the market that don't have that necessary steel strip. What are you supposed to do, use the old strips?

Inner waist seals have a chromed finisher edge on top and a bead at the bottom to fit the seal into the clips that secure the seal to the door shell. We have seen some inner strips that are lacking the chromed edge on the top of the seal. They look odd on the car.



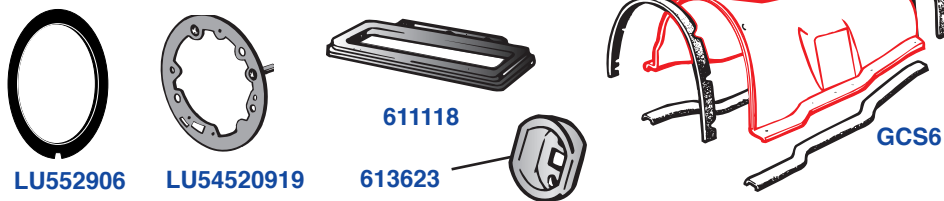
Part No.	Description	No. Off	Current Prices on Website
----------	-------------	---------	---------------------------

#### DOOR SEALS; fitted to tops of doors;

also known as door waist seals

RFK1207	<b>OUTER DOOR WAIST SEAL KIT;</b> includes one pair of outer door waist seals, clips, and fitting instructions	1	
850324	<b>Seal, outer, L.H.</b>	1	
850325	<b>Seal, outer, R.H.</b>	1	
GHF1560	<b>Clip, securing outer seals to door</b>	14	
RFK1209	<b>INNER DOOR WAIST SEAL KIT;</b> includes one pair of inner door waist seals and clips	1	
850322	<b>Seal, inner, fuzzy, L.H.</b>	1	
850323	<b>Seal, inner, fuzzy, R.H.</b>	1	
GHF1582	<b>Clip, securing inner seals to door</b>	14	

### MISCELLANEOUS BODY SEALS

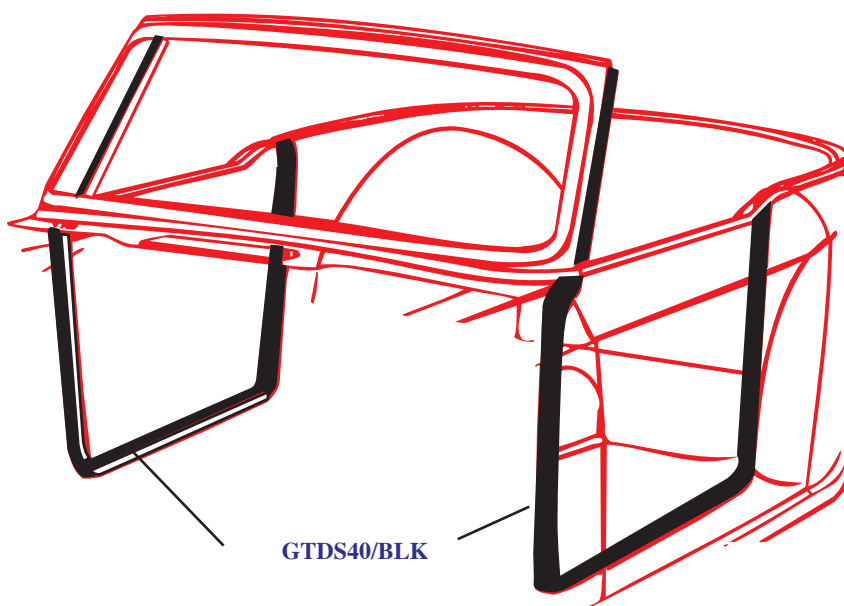


Part No.	Description	No. Off	Current Prices on Website
----------	-------------	---------	---------------------------

LU552906	<b>Headlamp Dust Seal, inside headlamp rim, early TR4 only</b>	2	
LU54520919	<b>Headlamp Gasket, headlamp to body</b>	2	
650201	<b>Rubber Seal, door check straps, early TR4</b>	2	
613623	<b>Rubber Seal, door check straps, later TR4, TR4A</b>	2	
611118	<b>Rubber Seal, scuttle vent</b>	1	
GCS6	<b>Gearbox Cover Seal Kit; includes four rubber seals; cement these to the gearbox cover</b>	1	

## BODY SEALS

### DOOR SEALS—SOFT TOP MODELS



Part No.	Description	No. Off	Current Prices on Website
----------	-------------	---------	---------------------------

**DOOR SEALS**, original type; fuzzy seal fitted along with a rubber seal; these seals fit from the top of the windscreen frame around the door opening to the top of the rear door post

**FUZZY DOOR SEALS**, original type, TR4, TR4A with soft tops, fits to flange on body around door opening

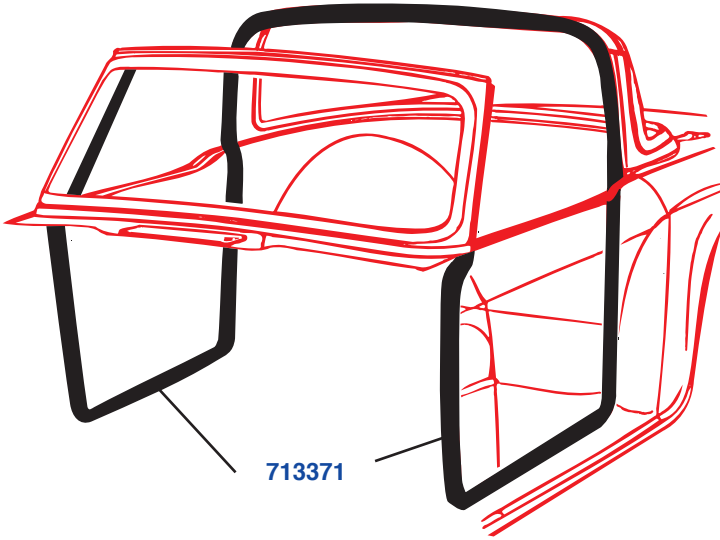
GTDS40/BLK	<b>Door Seal</b> , fuzzy, black	2	
GTDS40/BLU	<b>Door Seal</b> , fuzzy, blue	2	
GTDS40/RED	<b>Door Seal</b> , fuzzy, red	2	
GTDS40/TAN	<b>Door Seal</b> , fuzzy, tan	2	
650310	<b>Rubber Door Seal</b> ; fitted to channels on the body	2	

**DOOR SEALS**, TR6 type; one-piece rubber and fuzzy seals fitted to flange on door opening; these seals fit from the top of the windscreen frame around the door opening to to top of the rear door post

WMS101/91	<b>Door Seal</b> , black	2	
WMS102/91	<b>Door Seal</b> , red	2	
WMS107/91	<b>Door Seal</b> , blue	2	
WMS103/91	<b>Door Seal</b> , tan	2	

## BODY SEALS

## BODY SEALS—HARD TOP, SURREY TOP



Part No.	Description	No. Off	Current Prices on Website
----------	-------------	---------	---------------------------

**SURREY TOP DOOR SEALS**, as original; two seals were used, a rubber seal started at the top of the windscreen frame and went around the door opening to the top of the Surrey top frame on each side, a fuzzy seal started at the top of the windscreen frame and went around the door opening, across the Surrey top frame, around the other door opening to the top of the windscreen frame on the other side

**FUZZY DOOR SEALS**, original type,  
TR4, TR4A with Surrey tops, fits to flange on body around door opening and across rear window frame and back around the other door opening to top of windscreen

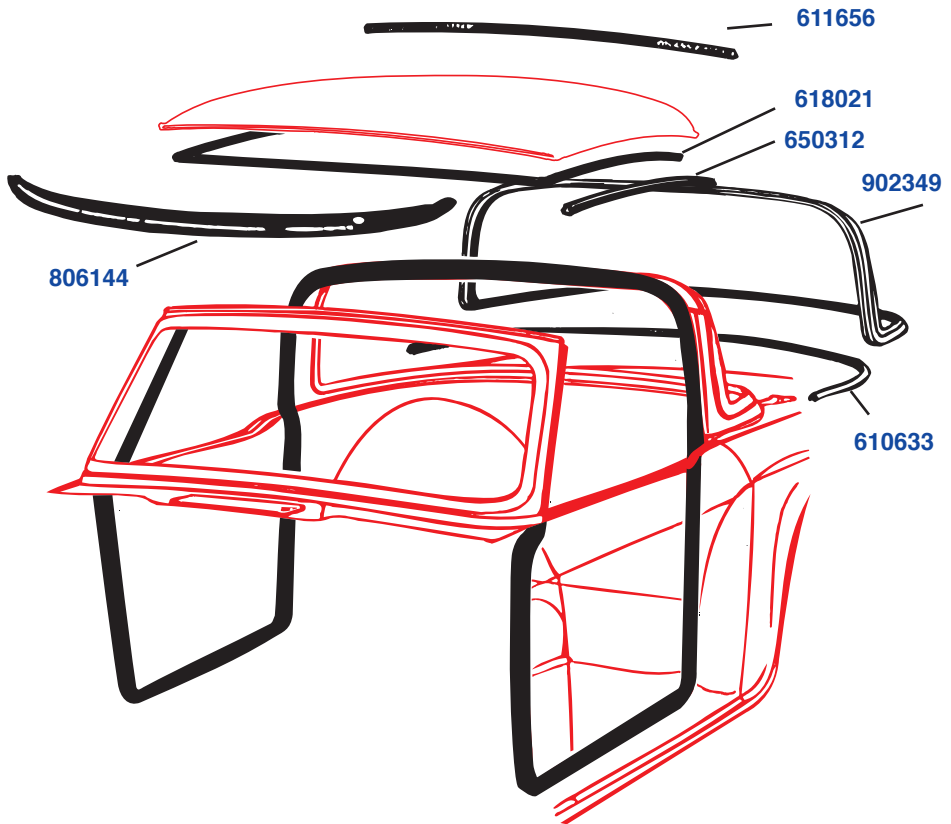
GTDS41/BLK	<b>Fuzzy Seal</b> , black	1	
GTDS41/BLU	<b>Fuzzy Seal</b> , blue	1	
GTDS41/RED	<b>Fuzzy Seal</b> , red	1	
GTDS41/TAN	<b>Fuzzy Seal</b> , tan	1	
650311	<b>Rubber Seal</b> , top of windscreen frame to top of door window	2	

**SURREY TOP DOOR SEAL KITS**, TR250 type with one piece rubber and fuzzy seal around door openings and a fuzzy seal across the top of the Surrey top rear frame; some colours not currently available in matching seals

713371	<b>Door Seal Kit</b> , black; includes three seals	1	
713372	<b>Door Seal Kit</b> , red; includes three seals	1	
713373	<b>Door Seal Kit</b> , tan; includes three seals	1	
713376	<b>Door Seal Kit</b> , blue; includes three seals	1	

## BODY SEALS

### BODY SEALS—HARD TOP, SURREY TOP—Continued



Part No.	Description	No. Off	Current Prices on Website
	<b>SURREY TOP SEALS, hard top lid</b>		
806144	<b>Rubber Seal, hard top lid to windscreen frame</b>	1	
650312	<b>Rubber Seal, fitted to hard top lid above side windows</b>	2	
611656	<b>Rubber Seal, rear edge of hard top lid</b>	1	
	<b>FUZZY SEALS, around edge of hard top lid</b>		
618021	<b>Fuzzy Seal, black</b>	1	
618027	<b>Fuzzy Seal, blue</b>	1	
618022	<b>Fuzzy Seal, red</b>	1	
618023	<b>Fuzzy Seal, tan</b>	1	
	<b>SURREY TOP SEALS, rear frame</b>		
902349	<b>Rubber Seal, around rear window glass</b>	1	
613958	<b>Trim Strip, chromed plastic, fitted in rear window seal</b>	1	
611437/100	<b>Joint Clip, rear window strip</b>	1	
610633	<b>Rubber Seal, Surrey top frame to body</b>	1	

## BODY SEALS

## RUBBER PLUGS AND GROMMETS

*“Buy the Kit or Any Part Individually...”*

TRF manufactures all of the grommets and plugs to original specifications.



RG3



SLP222



600395



61917



603384



605602



611733



600398



CD23720



609186



612235

Part No.	Description	No. Off	Current Prices on Website
RFK1637	<b>RUBBER PLUG AND GROMMET KIT, TR4;</b> includes all rubber plugs and grommets for engine bay, interior, and trunk	1	
RFK1610	<b>RUBBER PLUG AND GROMMET KIT, TR4A;</b> includes all rubber plugs and grommets for engine bay, interior, and trunk	1	
<b>MISCELLANEOUS RUBBER PLUGS</b>			
600399	<b>Plug, 1-inch hole</b>	A/R	
609186	<b>Plug, 5/8-inch hole</b>	A/R	
612235	<b>Plug, holes in windscreen capping</b>	2	
605602	<b>Plug, large, U-joint access in gearbox tunnel</b>	1	
603384	<b>Plug, large, jack holes in floor in front of seats</b>	2	
600398	<b>Plug, 1/2-inch hole</b>	A/R	
<b>MISCELLANEOUS RUBBER AND GROMMETS</b>			
600395	<b>Grommet, medium size; oil line, speedo and tach cables, etc.</b>	A/R	
61917	<b>Grommet, small; choke cable, vent rod, etc.</b>	A/R	
611733	<b>Seal, fuel tank drain</b>	2	
650247	<b>Grommet, fuel cap, in rear deck</b>	1	
RG3	<b>Grommet, large, wiring harness</b>	1	
SLP222	<b>Grommet, wiper tube; special nipple type</b>	1	
CD23720	<b>Grommet, fuel lines, in chassis</b>	3	