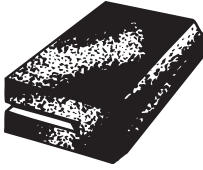


# BODY TRIM AND FITTINGS

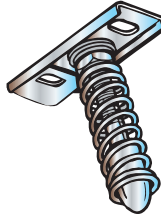
## BONNET FITTINGS



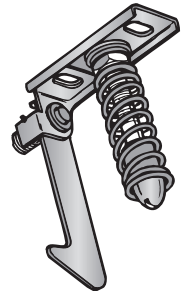
650325



601663



611625



619580



611842



612962



603469

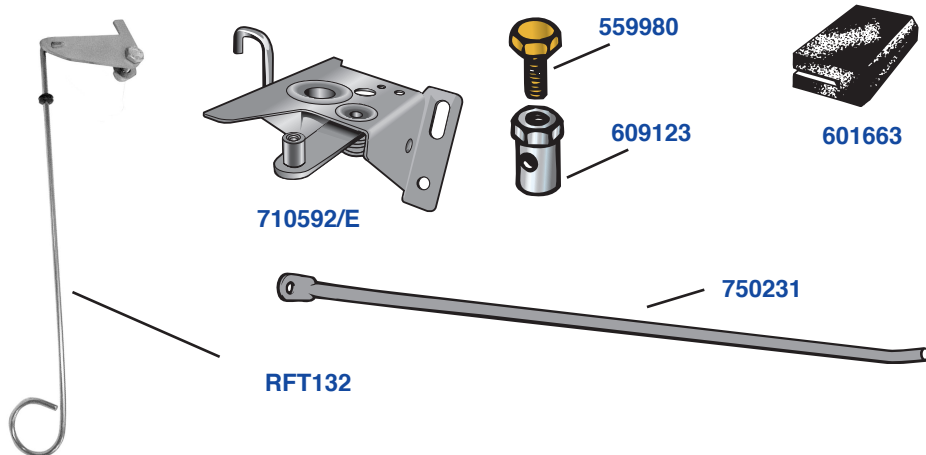
603468

Part No.	Description	No. Off	Current Prices on Website
650325	<b>Bonnet Locating Pin</b> , early type, flat top, TR4 up to body no. 37690CT	2	
612962	<b>Bonnet Locating Pin</b> , later type, pointed, TR4 after body no. 37690CT, TR4A	2	
611842	<b>Side Buffer Wedge</b> , TR4, TR4A	4	
601663	<b>Rubber Buffer</b> , prop rod, TR4, TR4A	1	
RFK748	<b>BONNET BUFFER KIT</b> ; includes buffer cones, rubber side buffers, buffer for prop rod, and correct hardware, TR4 after comm. no. body no. 37690CT; buffer cones are pointed	1	
	<b>BONNET RELEASE CABLES</b> , TR6 cables that can easily be shortened to fit TR4, TR4A		
603468	<b>Inner Cable</b> , bonnet release, with handle	1	
603469	<b>Outer Cable</b> , bonnet release	1	
	<b>BONNET FASTENERS</b>		
611625	<b>Bonnet Fastener</b> , without safety hook, TR4, TR4A; fitted to underside of bonnet	1	
619580	<b>Bonnet Fastener</b> , TR6 type with safety hook; retrofit to TR4, TR4A using 710592/L latch listed below	1	
	<b>HARDWARE</b> , securing fastener to bonnet		
HU704	<b>Screw</b> , set	2	
WL207	<b>Washer</b> , lock	2	
WP167	<b>Washer</b> , plain	2	

Section Continues On Next Page

## BODY TRIM AND FITTINGS

## BONNET FITTINGS—Continued



Part No.	Description	No. Off	Current Prices on Website
----------	-------------	---------	---------------------------

**BONNET LATCH ASSEMBLIES**

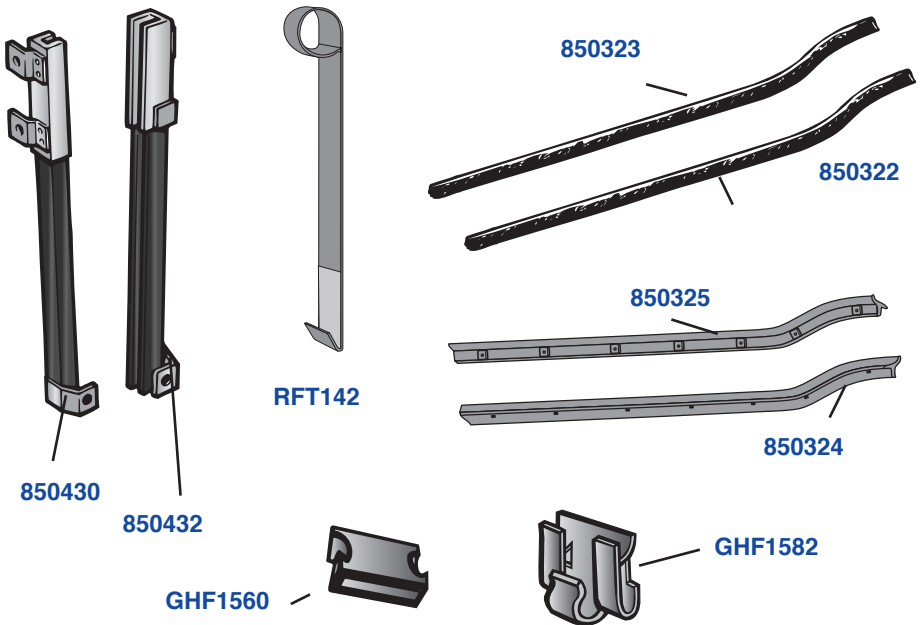
710592/E	<b>Bonnet Latch Assembly</b> , without safety hook, TR4, TR4A; fitted to bulkhead	1
710592/L	<b>Bonnet Latch Assembly</b> , TR6 type with safety hook; retro fit to TR4, TR4A using 619580 fastener listed on previous page	1
	<b>HARDWARE</b> , securing latch to bulkhead	
HU705	<b>Screw</b> , set	4
WL207	<b>Washer</b> , lock	4
WP7	<b>Washer</b> , plain	4
609123	<b>Trunnion Fitting</b> , inner cable to latch assembly	1
559980	<b>Screw</b> , securing trunnion fitting to cable	1

Helpful Hint: Attach at an additional trunnion and screw to the end of the inner cable beyond the latch as a backup in case the primary trunnion and screw comes loose

RFT132	<b>Back-up Bonnet Release Kit</b> , secondary cable kit to open your bonnet in case your bonnet release cable fails; nicely designed kit that includes everything you need plus instructions	1
RFK835	<b>BONNET PROP ROD KIT</b> ; includes prop rod, rubber buffer, and hardware	1
750231	<b>Prop Rod</b>	1
	<b>HARDWARE</b> , prop rod to bonnet	
YN2907	<b>Nut</b> , nyloc	1
550026	<b>Washer</b> , waved	1
WM57	<b>Washer</b> , plain	1
601663	<b>Rubber Buffer</b>	1
YA164	<b>Screw</b> , buffer to bracket	1

# BODY TRIM AND FITTINGS

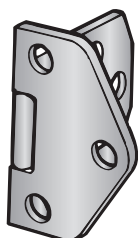
## DOOR FITTINGS



Part No.	Description	No. Off	Current Prices on Website
RFK1110	<b>GLASS CHANNEL KIT, L.H.;</b> includes two door channels and correct hardware for L.H. door	1	
850430	<b>Glass Channel,</b> front, L.H. door	1	
850432	<b>Glass Channel,</b> rear, L.H. door	1	
RFK1111	<b>GLASS CHANNEL KIT, R.H.;</b> includes two door channels and correct hardware for R.H. door	1	
850431	<b>Glass Channel,</b> front, R.H. door	1	
850433	<b>Glass Channel,</b> rear, R.H. door	1	
	<b>DOOR SEALS;</b> fitted to tops of doors; also known as door waist seals		
RFK1207	<b>OUTER DOOR WAIST SEAL KIT;</b> includes one pair of outer door waist seals, clips, and fitting instructions	1	
850324	<b>Seal,</b> outer, L.H.	1	
850325	<b>Seal,</b> outer, R.H.	1	
GHF1560	<b>Clip,</b> securing outer seals to door	14	
RFK1209	<b>INNER DOOR WAIST SEAL KIT;</b> includes one pair of inner door waist seals and clips	1	
850322	<b>Seal,</b> inner, fuzzy, L.H.	1	
850323	<b>Seal,</b> inner, fuzzy, R.H.	1	
GHF1582	<b>Clip,</b> securing inner seals to door	14	
RFT142	<b>Tool,</b> door waist seal clips	1	

## BODY TRIM AND FITTINGS

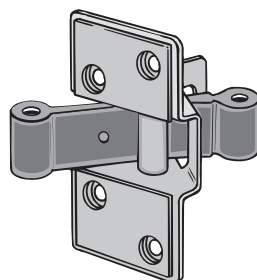
## DOOR FITTINGS—Continued



650112



RFK655



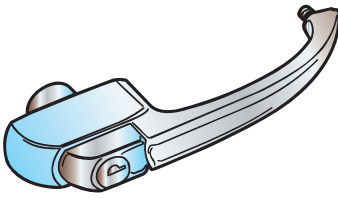
613913

Part No.	Description	No. Off	Current Prices on Website
<b>DOOR HINGES</b>			
650112	<b>Hinge</b> , door	4	
RFK744	<b>Hardware Kit</b> , door hinge; includes correct hardware for fitting one hinge	4	
<b>DOOR CHECK STRAPS</b> , early TR4 up to comm. no. CT22343			
613913	<b>Door Check Strap Assembly</b> , L.H.	1	
613914	<b>Door Check Strap Assembly</b> , R.H.	1	
612244	<b>Pin</b> , door check strap to door pivot point	2	
<b>HARDWARE</b> , securing check strap bracket to A-post			
HU704	<b>Screw</b> , set	6	
WN707	<b>Washer</b> , shakeproof	6	
WP122	<b>Washer</b> , plain	4	
650201	<b>Boot</b> , rubber, door check straps	2	
<b>HARDWARE</b> , securing boot to A-Post			
PT505	<b>Screw</b> , set	4	
WP5	<b>Washer</b> , plain	4	
WP156	<b>Washer</b> , plain	8	
RFK655	<b>DOOR CHECK STRAP KIT</b> , later TR4 after comm.no. CT22343, TR4A; includes check strap, rubber boot, and correct hardware for one door	2	
613622	<b>Check Strap Assembly</b>	2	
610707	<b>Rivet</b> , check strap to door	2	
RFK1706	<b>HARDWARE KIT</b> , securing check strap to door; alternate method of fitting; includes joint pin, washers, and cotter pin to install one check strap	2	
613623	<b>Boot</b> , rubber, check strap	2	
<b>HARDWARE</b> , boot to A-post			
YB1383	<b>Screw</b>	4	
WP5	<b>Washer</b> , plain	4	

Section Continues On Next Page

# BODY TRIM AND FITTINGS

## DOOR FITTINGS—Continued



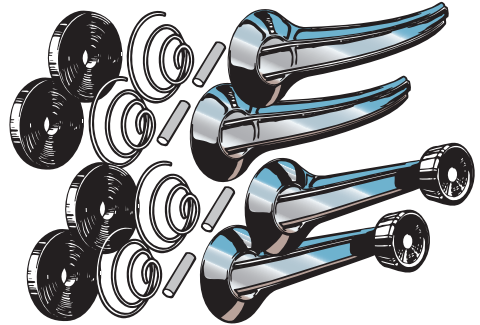
SLP225



650306



DHS40

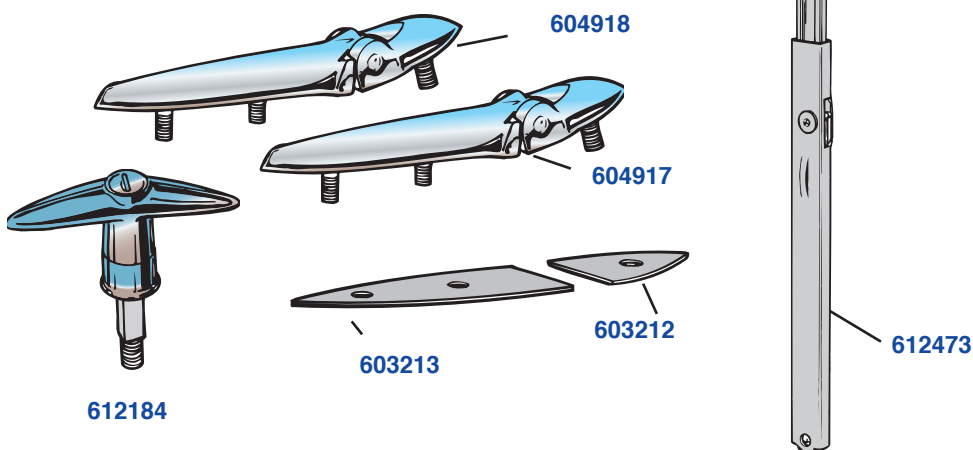


DHS56

Part No.	Description	No. Off	Current Prices on Website
RFK1135	<b>OUTSIDE DOOR HANDLE KIT, TR4, TR4A;</b> includes one pair of handles and locks with matching keys; these handles have the original appearance but are slightly different than original and require redrilling of mounting holes	1	
SLP225	<b>Door Handle,</b> with lock and keys; as above, individual handle	2	
DHS40	<b>INSIDE DOOR HANDLE KIT;</b> includes door and window crank handles, springs, escutcheons, and securing pins for both doors, TR4, TR4A	1	
608454	<b>Door Handle</b>	2	
613017	<b>Window Crank Handle,</b> with knob	2	
650261	<b>Escutcheon (plastic disc),</b> behind handles	4	
603382	<b>Spring,</b> behind door panels	4	
600832	<b>Pin,</b> securing handles	4	
DHS56	<b>UPGRADED INSIDE DOOR HANDLE KIT, TR250, TR6 style;</b> heavier duty handles if originality is not a factor	1	
621770	<b>Door Handle</b>	2	
621811	<b>Window Crank Handle,</b> with knob	2	
621221	<b>Escutcheon (plastic disc),</b> behind handles	4	
603382	<b>Spring,</b> behind door panels	4	
600832	<b>Pin,</b> securing handles	4	
	<b>INSIDE DOOR-PULL HANDLES</b>		
650306	<b>Door-pull Handle,</b> chromed	2	
510799	<b>Screw,</b> handle to doors	4	
FS2758/4	<b>Fix Nut,</b> securing screws to door	4	

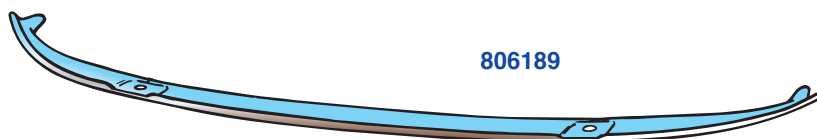
## BODY TRIM AND FITTINGS

### TRUNK LID FITTINGS



Part No.	Description	No. Off	Current Prices on Website
RFK834	<b>TRUNK HINGE KIT;</b> includes two trunk hinges, gaskets, and correct hardware	1	
604918	<b>Trunk Lid Hinge, L.H.</b>	1	
604917	<b>Trunk Lid Hinge, R.H.</b>	1	
603212	<b>Gasket, long end of hinge</b>	4	
603213	<b>Gasket, short end of hinge</b>	4	
612473	<b>Trunk Prop Rod, sliding unit type;</b> later TR4 after body no. 5642CT, TR4A	1	
<b>LOCKING HANDLES AND LATCH DETAILS</b>			
612184	<b>Locking Handle Assembly, with keys</b>	1	
600949	<b>Gasket, handle to trunk lid</b>	1	
714485	<b>Latch Hook Assembly</b>	1	
611135	<b>Striker Plate</b>	1	

### WINDSCREEN CAPPINGS



Part No.	Description	No. Off	Current Prices on Website
806189	<b>Windscreen Capping, all TR4</b>	1	
806189	<b>Windscreen Capping, TR4A with</b> Surrey soft top	1	
808231	<b>Windscreen Capping, TR4A soft top</b> models	1	
554407	<b>Rivet, securing windscreen cappings</b>	11	

## BODY TRIM AND FITTINGS

### HEADLAMP RIMS



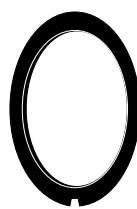
LU54520073



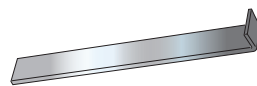
LU54520443



LU54520919



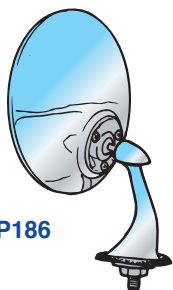
LU552906



118971

Part No.	Description	No. Off Current Prices on Website
LU54520443	<b>Headlamp Rim</b> , chromed, wide flat-sided type, early TR4	2
LU54520073	<b>Headlamp Rim</b> , chromed, narrow type, later TR4, TR4A	2
LU552906	<b>Rubber Seal</b> , inside headlamp rim, early rim only	2
LU54520919	<b>Rubber Gasket</b> , headlamp to body, all TR4, TR4A	2
118971	<b>Tool</b> , headlamp removal	1

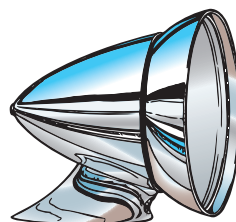
### DOOR MIRRORS



TMP186



TMP185



HAC1528

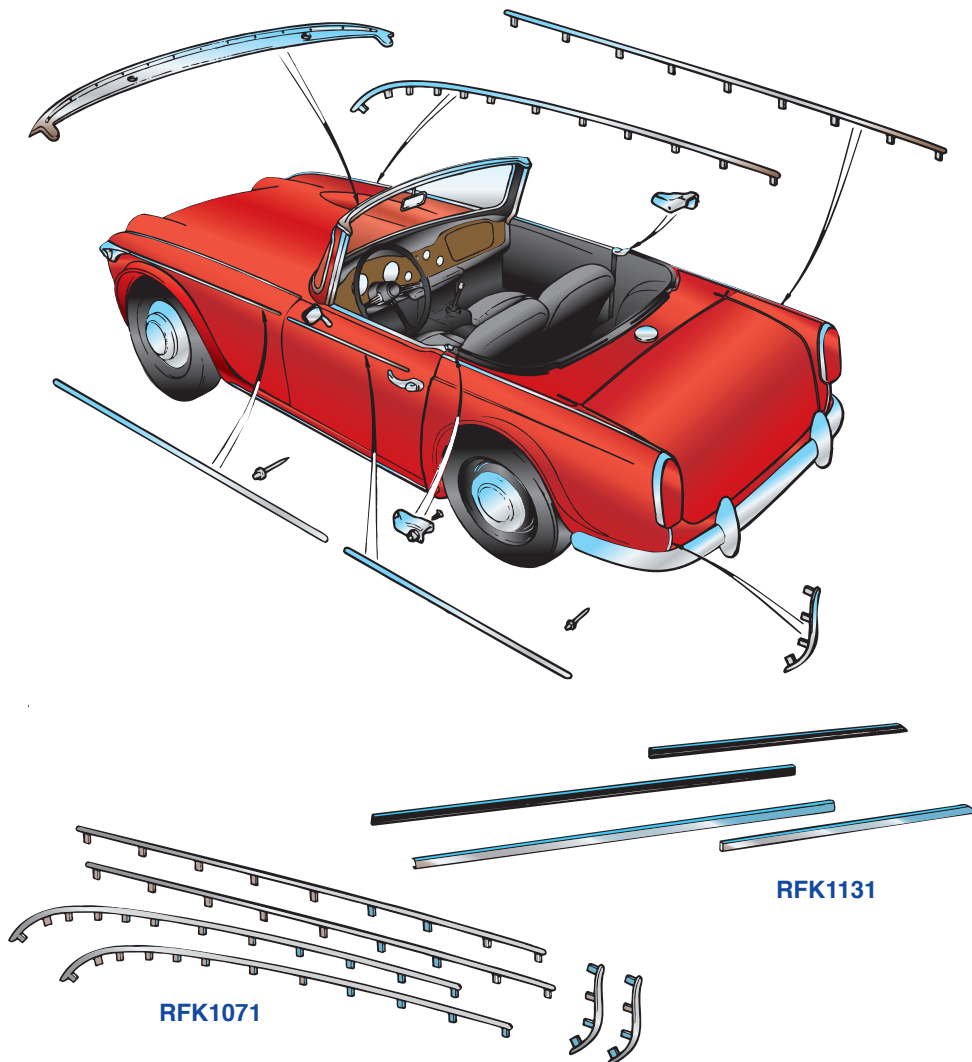
Part No.	Description	No. Off Current Prices on Website
	<b>DISC FENDER MIRRORS</b> ; replicas of Lucas wing mirrors	
TMP185	<b>Fender Mirror</b> , L.H., flat lens	1
TMP186	<b>Fender Mirror</b> , R.H., flat lens	1
TMP187	<b>Fender Mirror</b> , L.H., convex lens	1
TMP188	<b>Fender Mirror</b> , R.H., convex lens	1
SLP111	<b>Gasket</b> , fender mirror	2

#### BRITISH LEYLAND DOOR MIRRORS

HAC1528	<b>Bullet Door Mirror</b> , chromed; can be fitted to both sides but is ineffective as mirror on the passenger side; 4-1/2-inch glass, base is 3 inches long, mounting screws are one inch apart	1 or 2
HAC1528/GASKET	<b>Gasket</b> , door mirror	1 or 2

## BODY TRIM AND FITTINGS

## BODY MOULDINGS



Part No.	Description	No. Off	Current Prices on Website
RFK1071	<b>FENDER BEAD KIT</b> ; includes all six pieces, pre-bent to shape, with tabs installed	1	
850479	<b>Fender Bead</b> , front, with tabs	2	
750126	<b>Fender Bead</b> , rear, top, with tabs	2	
750187	<b>Fender Bead</b> , rear, short, L.H., with tabs	1	
750188	<b>Fender Bead</b> , rear, short, R.H., with tabs	1	
RFK1131	<b>BODY SIDE MOULDING KIT, TR4A</b> ; includes four moulding and twenty-six rivet clips	1	
708477	<b>Moulding</b> , front fender	2	
708486	<b>Moulding</b> , door side	2	
GHF1461	<b>Rivet Clip</b> , securing mouldings	26	
	<b>ROCKER PANEL MOULDINGS, TR4A</b>		
623421	<b>Moulding Strip</b> , rocker panel	2	
GHF1461	<b>Rivet Clip</b> , securing rocker panel mouldings	12	



## BODY TRIM AND FITTINGS

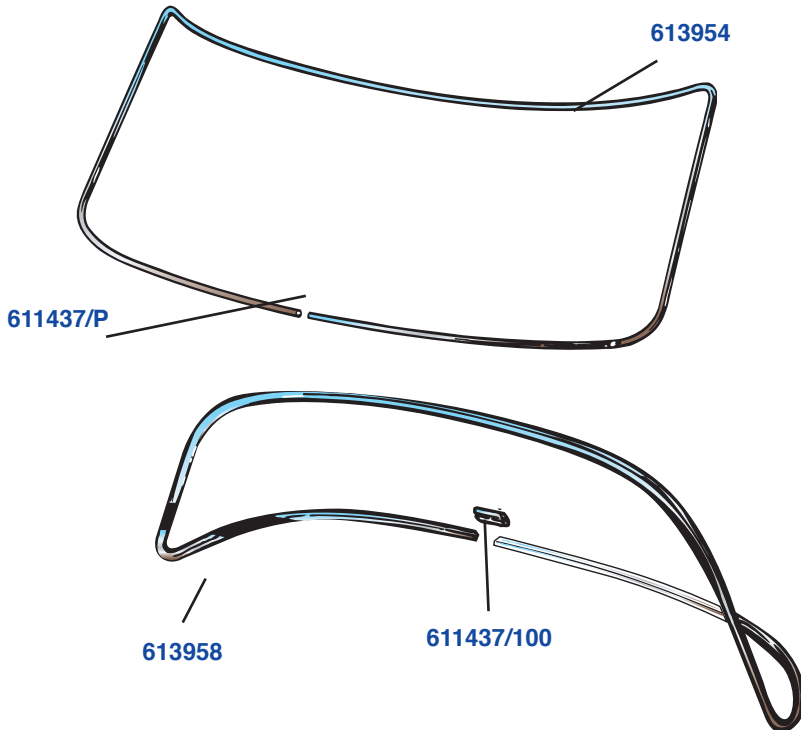
### REAR DOOR POST FINISHERS, TR4A

*Fitted to tops of rear door posts*



Part No.	Description	No. Off	Current Prices on Website
622747	<b>Finisher, L.H.</b>	1	
622748	<b>Finisher, R.H.</b>	1	
YA323	<b>Screw, securing finisher</b>	2	

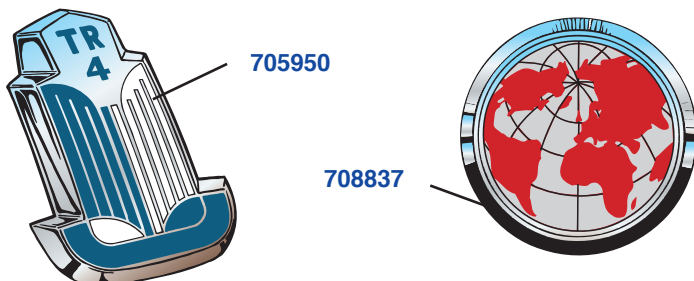
### WINDSCREEN AND SURREY TOP TRIM



Part No.	Description	No. Off	Current Prices on Website
RFK147	<b>WINDSCREEN TRIM KIT;</b> includes one chromed plastic trim strip and joint clip	1	
613954	<b>Trim Strip,</b> chromed plastic	1	
611437/P	<b>Joint Clip</b>	1	
613958	<b>Trim Strip,</b> chromed plastic, fitted in rear window seal	1	
611437/100	<b>Joint Clip,</b> rear window strip	1	

## BODY TRIM AND FITTINGS

### FRONT BADGES



Part No.	Description	No. Off	Current Prices on Website
705950	<b>Bonnet Badge</b> , front, Triumph shield, TR4	1	
708837	<b>BONNET BADGE SET</b> ; front, world emblem, TR4A; includes badge and chromed rim	1	
708837/A	<b>World Emblem</b> , plastic	1	
708837/B	<b>Metal Rim</b> , chromed	1	
FP1012/9	<b>Fix Nut</b> , securing badges, use as required	A/R	

### FRONT AND REAR LETTER SETS

*Individual letters are available if needed*

T R I U M P H

703862-8

Part No.	Description	No. Off	Current Prices on Website
703862-8	<b>Letter Set</b> , T,R,I,U,M,P,H, for bonnet or trunk lid	2	
FP1012/9	<b>Fix Nut</b> , securing letters; 14 required per set	28	

### TRUNK BADGES



612276

617820

617821

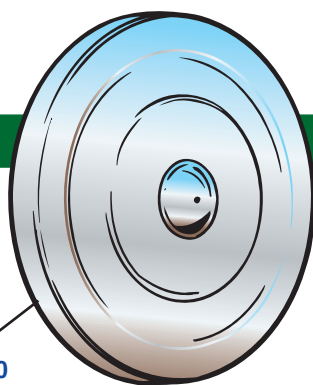
Part No.	Description	No. Off	Current Prices on Website
612276	<b>Badge</b> , "TR4," chromed, all TR4, TR4A	1	
617820	<b>Badge</b> , "A," chromed, TR4A only	1	
617821	<b>Badge</b> , "IRS," chromed, TR4A IRS only	1	
FP1012/9	<b>Clip</b> , securing trunk badge; 2 per badge	2-6	

## BODY TRIM AND FITTINGS

### HUB CAPS



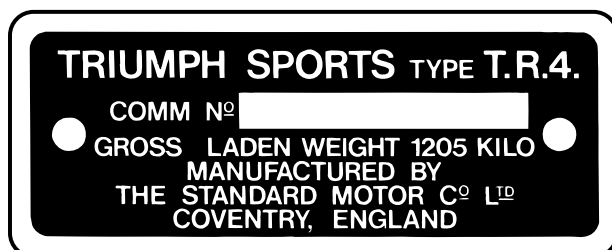
113256



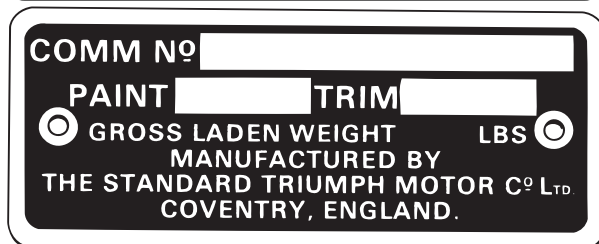
201870

Part No.	Description	No. Off	Current Prices on Website
201870	<b>Hub Cap</b> , chromed	4	
113256	<b>Badge</b> , hub cap	4	
HN2005	<b>Nut</b> , securing badge to hub cap	4	
WL205	<b>Lock Washer</b> , securing nuts	4	
109586	<b>Wheel Nut</b> , securing road wheels; disc wheel cars	4	

### COMMISSION NUMBER PLATES



CNP41



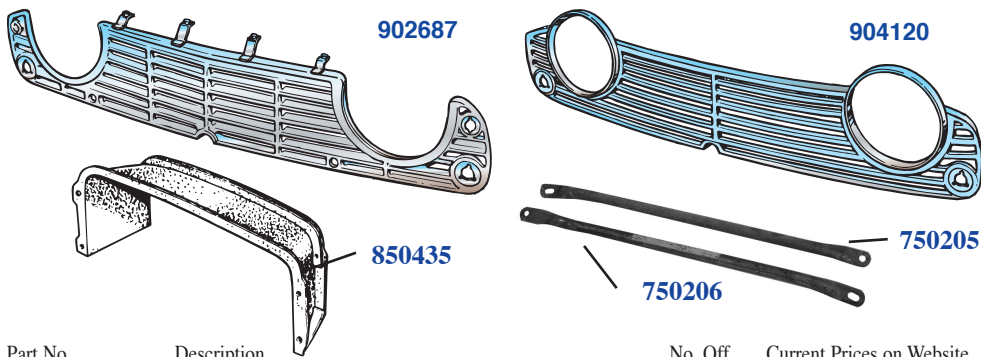
CNP42

Part No.	Description	No. Off	Current Prices on Website
CNP41	<b>Commission Number Plate</b> , early TR4	1	
CNP42	<b>Commission Number Plate</b> , later TR4, TR4A	1	

## BODY TRIM AND FITTINGS

## RADIATOR GRILLES, TR4, TR4A

Radiator grilles for the TR4 are made in England, and are quite nice. Unfortunately the TR4A grille has been discontinued by the manufacturer but we will continue working with them from time to time to see if a new production run can be made.



Part No.	Description	No. Off	Current Prices on Website
----------	-------------	---------	---------------------------

## RADIATOR GRILLES AND FITTINGS, TR4

902687	<b>Grille, TR4</b>	1	
RFK1365	<b>HARDWARE KIT</b> , securing grille to front valance, TR4	1	
AB608051	<b>Screw</b> , self tapping	6	
WP4	<b>Washer</b> , plain	6	
FU2554	<b>Nut</b> , spire	4	
FN2044	<b>Nut</b> , spire	2	

## RADIATOR GRILLES AND FITTINGS, TR4A

904120	<b>Grille, TR4A</b>	1	
RFK1816	<b>HARDWARE KIT</b> , securing grille to front valance, lower fixings	1	
PT505	<b>Screw</b>	2	
WP5	<b>Washer</b> , plain	2	
WL205	<b>Washer</b> , lock	2	
FZ3404/4	<b>Nut and Retainer</b>	2	

## RADIATOR AIR DEFLECTOR

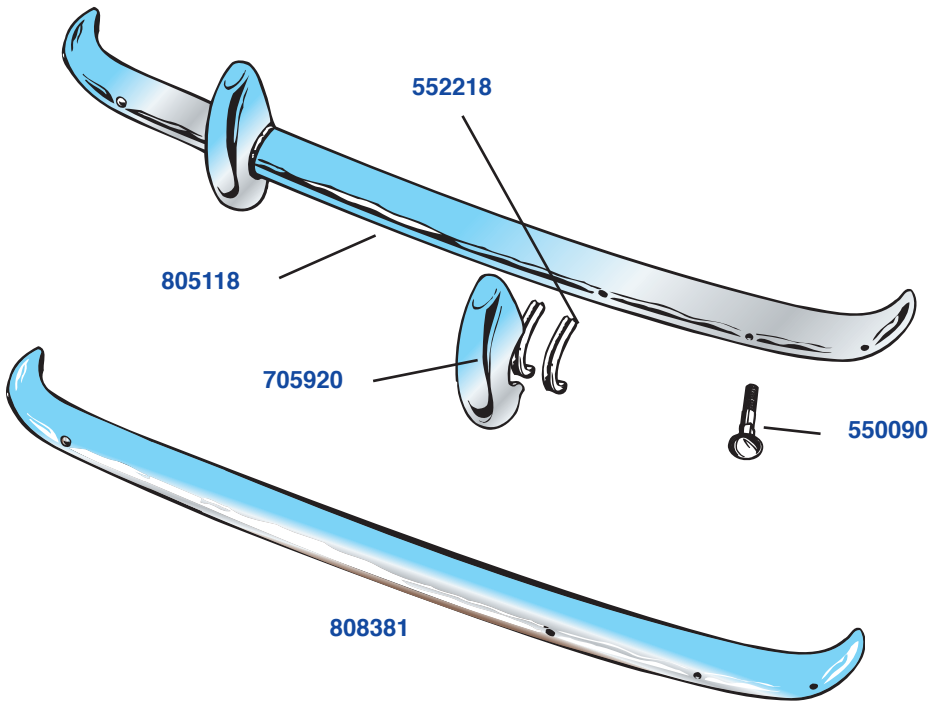
850435	<b>RADIATOR AIR DEFLECTOR</b>	1	
RFK1817	<b>HARDWARE</b> , air deflector to valance panel	1	
YJ2546	<b>Screw</b>	7	
FJ2445	<b>Nut</b> , fix	7	
WP138	<b>Washer</b> , plain	7	

## STAY RODS, front valance to horn brackets on front wheel arches, TR4, TR4A

750205	<b>Stay Rod</b> , L.H.	1	
750206	<b>Stay Rod</b> , R.H.	1	
RFK1812	<b>HARDWARE KIT</b> , securing stay rods	1	
	<b>HARDWARE</b> , stay rods to front valance		
HU704	<b>Screw</b> , set	2	
WQ307	<b>Washer</b> , lock	2	
HN2007	<b>Nut</b> , hex	2	
	<b>HARDWARE</b> , stay rods to wheel arches		
HU704	<b>Screw</b> , set	2	
WQ307	<b>Washer</b> , lock	2	

# BODY TRIM AND FITTINGS

## BUMPERS

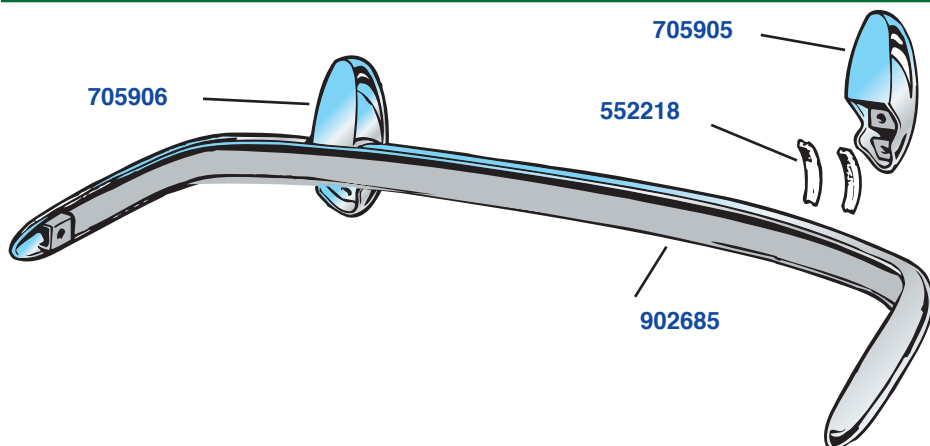


Part No.	Description	No. Off	Current Prices on Website
<b>FRONT BUMPER COMPONENTS, TR4 only</b>			
805118	<b>Front Bumper Bar</b>	1	
RFK1611	<b>Bumper Mounting Kit</b> ; includes all hardware to mount front bumper to support brackets and support brackets to chassis	1	
706035	<b>Support Bracket</b> , behind bumper	2	
705920	<b>Over-rider</b>	2	
552218	<b>Plastic Moulding</b> , over-rider to bumper	4	
611970	<b>Over-rider Support Tube</b> , L.H.	1	
611971	<b>Over-rider Support Tube</b> , R.H.	1	
550090	<b>Bolt</b> , chromed, with nut	4	
<b>FRONT BUMPER COMPONENTS, TR4A only</b>			
808381	<b>Front Bumper Bar</b>	1	
RFK1638	<b>Bumper Mounting Kit</b> ; includes all hardware to mount front bumper to support brackets and support brackets to chassis	1	
708279	<b>Support Bracket</b> , behind bumper	2	
708282	<b>Over-rider</b> , L.H.	1	
708283	<b>Over-rider</b> , R.H.	1	
552218	<b>Plastic Moulding</b> , over-rider to bumper	4	
550090	<b>Bolt</b> , chromed, with nut	4	

Section Continues On Next Page

## BODY TRIM AND FITTINGS

## BUMPERS—Continued



Part No.	Description	No. Off	Current Prices on Website
----------	-------------	---------	---------------------------

**REAR BUMPER COMPONENTS, TR4,**  
TR4A

902685	<b>Rear Bumper Bar</b>	1	
705905	<b>Over-rider, L.H.</b>	1	
705906	<b>Over-rider, R.H.</b>	1	
RFK1612	<b>Bumper Mounting Kit; includes</b> all hardware to mount rear bumper to support brackets and support brackets to chassis	1	
552218	<b>Plastic Moulding, over-rider to bumper</b>	4	
550090	<b>Bolt, chromed, with nut</b>	4	

**BUMPER BRACKETS, TR4**

611112	<b>Bracket, rear bumper to frame, outer,</b> runs through holes in rear valance, TR4 only	1	
705589	<b>Bracket, rear bumper to frame, inner,</b> runs through holes in rear valance, TR4 only	1	
611642	<b>Stay, support, rear over-rider down to</b> frame, L.H., TR4	1	
611643	<b>Stay, support, rear over-rider down to</b> frame, R.H., TR4	1	

**BUMPER BRACKETS, TR4A**

616109	<b>Bracket, rear bumper to frame, outer,</b> runs through holes in rear valance, TR4A only	1	
708171	<b>Bracket, rear bumper to frame, inner,</b> runs through holes in rear valance, TR4A only	1	
616121	<b>Stay, support, rear over-rider down to</b> frame, R.H., TR4A	1	
616120	<b>Stay, support, rear over-rider down to</b> frame, L.H., TR4A	1	