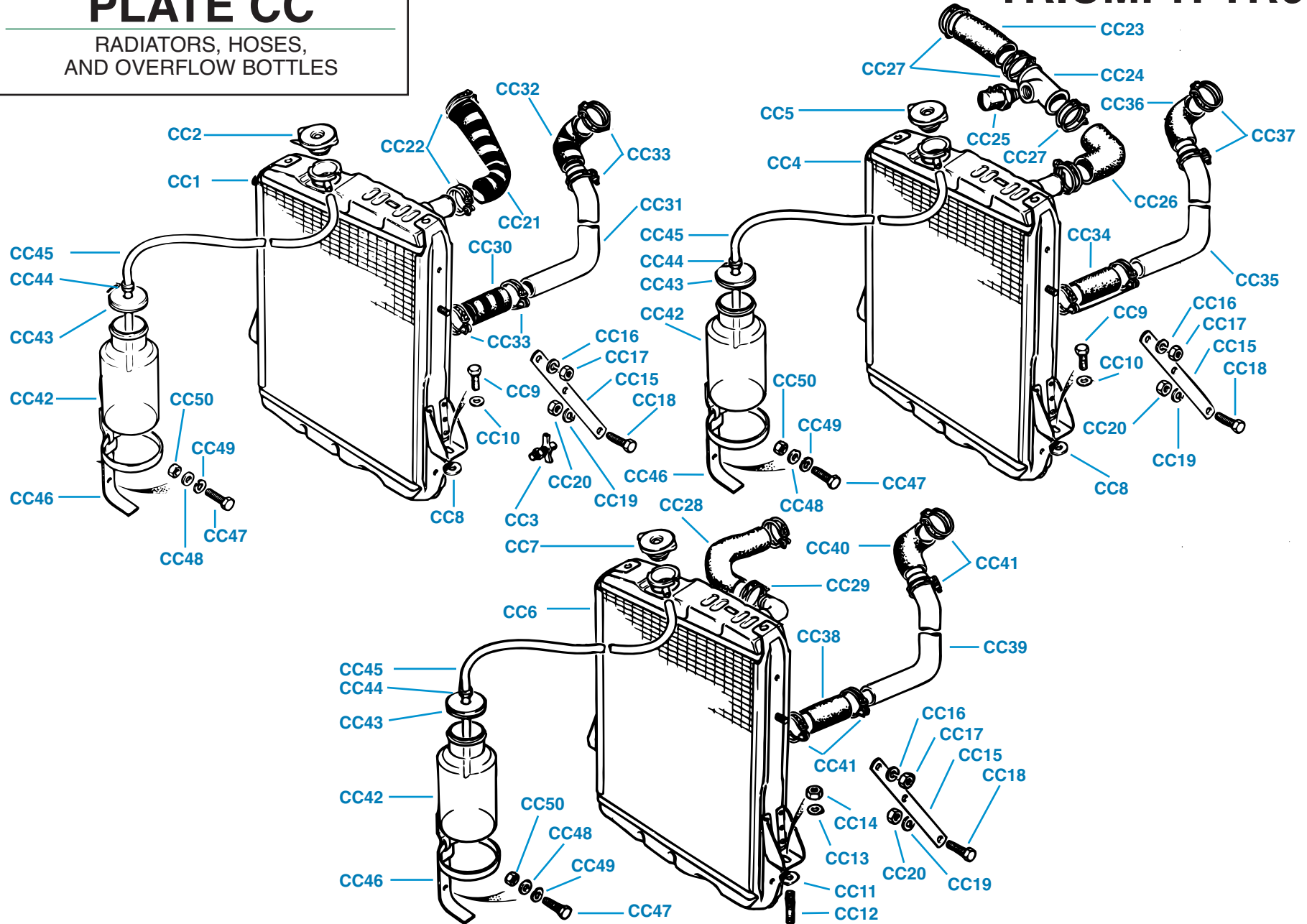


PLATE CC

RADIATORS, HOSES,
AND OVERFLOW BOTTLES

TRIUMPH TR6



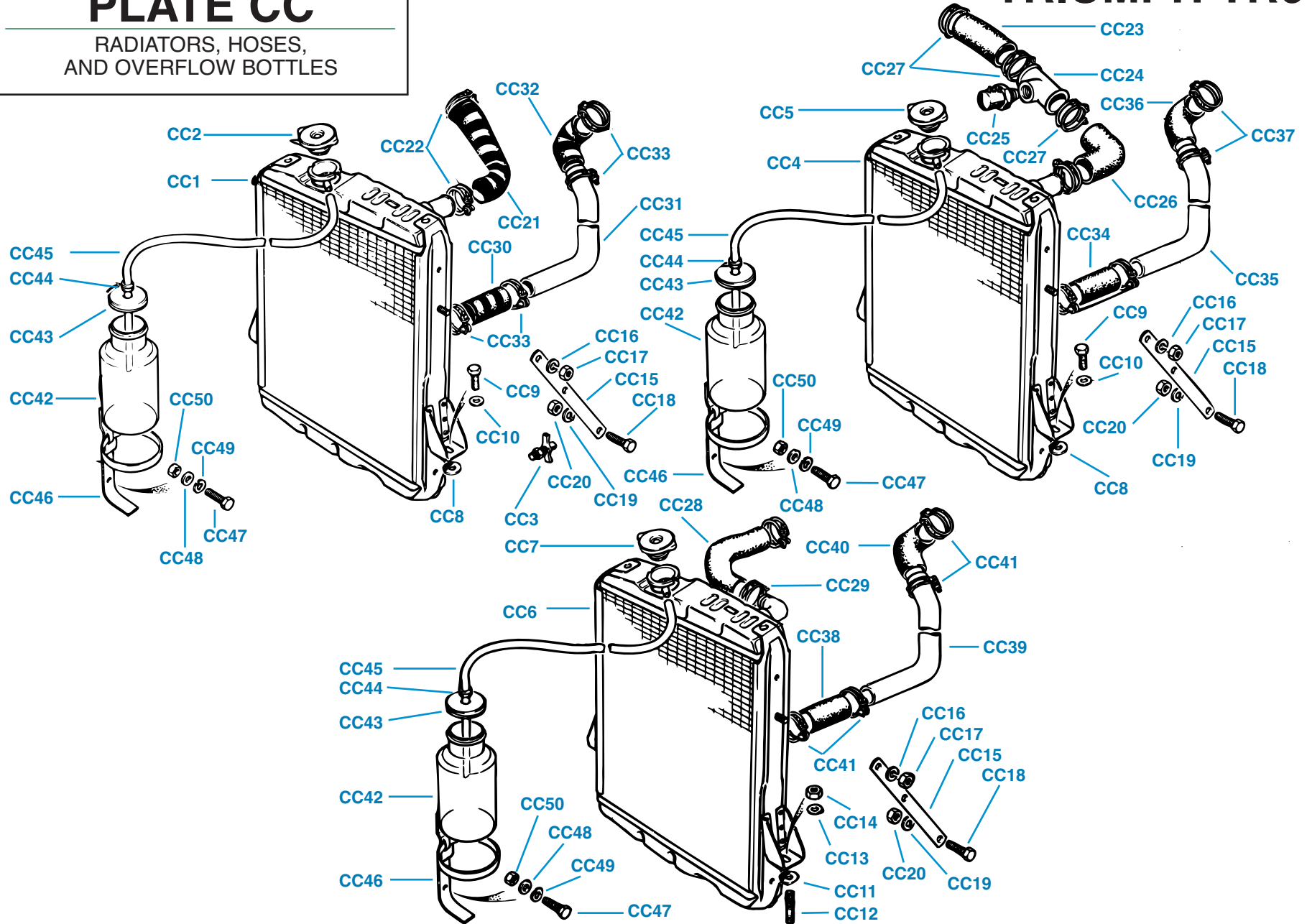
RADIATORS, HOSES, AND OVERFLOW BOTTLES

Plate No.	Part No.	Description	No. Off	Plate No.	Part No.	Description	No. Off
RADIATORS				RADIATOR HOSES			
CC1	308850	RADIATOR ASSEMBLY , fitted to all models up to comm. no. CC/CP75000	1	UPPER RADIATOR HOSES			
CC2	137691	Cap , filler	1	CC21	148996	Hose , radiator, upper, black and yellow striped, fitted up to comm. no. CP50000	1
CC3	132565	Drain Tap Assembly	1		154148	Hose , radiator, upper, green, fitted from comm. no. CP50000 up to comm. no. CR12500	1
	312347	RADIATOR ASSEMBLY , fitted to all models except U.S.A. after comm. no. CP75000	1		GRH387	Hose , radiator, upper, green, fitted after comm. no. CR12500	1
	148971	Cap , filler	1	CC22	CS4024	Clip , hose, securing radiator top hose	2
CC4	312347	RADIATOR ASSEMBLY , fitted to U.S.A. models, from comm. no. CC75000 up to CF35000	1			UPPER RADIATOR HOSES , U.S.A. models, up to comm. no. CC75000	
CC5	148971	Cap , filler	1		148996	Hose , radiator, upper, black and yellow striped, fitted up to comm. no. CC50000	1
CC6	RKC1735	RADIATOR ASSEMBLY , fitted to U.S.A. models after comm. no. CF35000	1		154148	Hose , radiator, upper, green fitted from comm. no. CC50000 up to CC75000	1
CC7	GRC114	Cap , filler	1		CS4024	Clip , hose, securing hose connections	2
		HARDWARE , securing radiator to chassis, all models except U.S.A.		CC23	158289	UPPER RADIATOR HOSES , U.S.A. models, from comm. no. CC75000 up to CF35000	
CC8	48101	Packing , radiator mounting	A/R	CC24	158308	Hose , radiator, upper, straight part, green hose	1
CC9	HU909P	Screw , set	2	CC25	90/611428	T-Fitting	1
CC10	WP9	Washer , plain	2		37430	Switch , thermostatic vacuum	1
		HARDWARE , securing radiator to chassis, U.S.A. models up to comm. no. CF1				Switch , thermostatic vacuum; alternative to 90/611428	1
	48101	Packing , radiator mounting	A/R	CC26	158290	Hose , radiator, upper, bent part, green hose	1
	HU909P	Screw , set	2	CC27	CS4024	Clip , hose, securing hose connections	4
	WP9	Washer , plain	2			UPPER RADIATOR HOSES , U.S.A. models, after comm. no. CF35000	
		HARDWARE , securing radiator to chassis, U.S.A. models after comm. no. CF1		CC28	UKC5238	Hose , radiator, upper, green hose	1
CC11	48101	Packing , radiator mounting	A/R	CC29	CS4024	Clip , hose, securing hose connections	2
CC12	143712	Stud	2	LOWER RADIATOR HOSES			
CC13	WP9	Washer , plain	2	LOWER RADIATOR HOSES , fitted to all models up to comm. no. CC/CP50000			
CC14	HN2009	Nut	2	CC30	148995	Hose , radiator, from radiator to steel pipe, black and yellow striped hose	1
CC15	147574	Stay , radiator support	2	CC31	145398	Steel Pipe	1
		HARDWARE , securing stays to radiator		CC32	148993	Hose , radiator, from steel pipe to water pump housing, black and yellow striped hose	1
CC16	WL208	Washer , lock	2	CC33	CS4024	Clip , hose, securing hose connections	4
CC17	HN2008	Nut	2	(Continued on next page.)			
CC18	HB806	Bolt	2				
CC19	WL208	Washer , lock	2				
CC20	HN2008	Nut	2				

PLATE CC

RADIATORS, HOSES,
AND OVERFLOW BOTTLES

TRIUMPH TR6



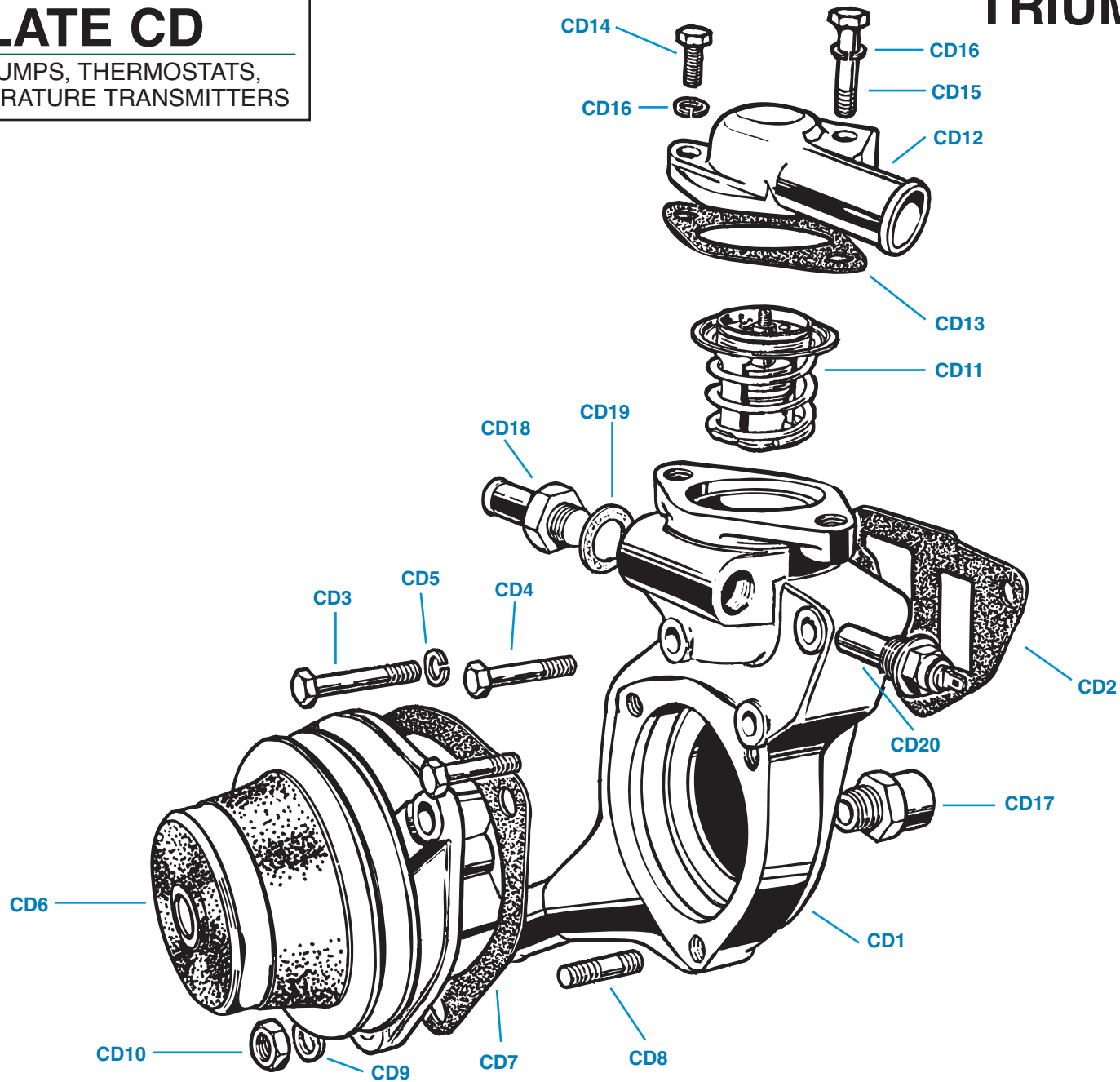
RADIATORS, HOSES AND OVERFLOW BOTTLES

Plate No.	Part No.	Description	No. Off	Plate No.	Part No.	Description	No. Off
		LOWER RADIATOR HOSES -Continued					
		LOWER RADIATOR HOSES , fitted to all models from comm. no. CC/CP50000 up to CF12500/CR5000					
CC34	154147	Hose , radiator, from radiator to steel pipe, green hose	1				
CC35	145398	Steel Pipe , fitted from comm. no. CC/CP50000 up to CF/CR1	1				
	158417	Steel Pipe , fitted after comm. no. CF/CR1	1				
CC36	154145	Hose , radiator, from steel pipe to water pump housing, green hose	1				
CC37	CS4024	Clip , hose, securing hose connections	4				
		LOWER RADIATOR HOSES , fitted to all models after comm. no. CF12500/CR5000					
CC38	GRH392	Hose , radiator, from radiator to steel pipe, green hose	1				
CC39	158417	Steel Pipe	1				
CC40	GRH393	Hose , radiator, from steel pipe to water pump housing, green hose	1				
CC41	CS4024	Clip , hose, securing hose connections	4				
	RFK185	OVERFLOW BOTTLE KIT ; includes bottle, cap, and grommet	1				
CC42	137632	Bottle , overflow	1				
CC43	137743	Cap , overflow bottle	1				
CC44	616925	Grommet , rubber, in cap	1				
CC45	137742	Pipe , plastic, overflow, fitted to all models except U.S.A.	1				
	137742	Pipe , plastic, overflow, fitted to U.S.A. models, up to comm. no. CF35000	1				
	UKC5529	Pipe , plastic, overflow, fitted to U.S.A. models, after comm. no. CF35000	1				
CC46	713544	Bracket Assembly , radiator overflow bottle	1				
		HARDWARE , securing bracket to wheelarch					
CC47	HU504	Screw , set	2				
CC48	WP5	Washer , plain	4				
CC49	WL205	Washer , lock	2				
CC50	HN2005	Nut	2				

PLATE CD

WATER PUMPS, THERMOSTATS,
AND TEMPERATURE TRANSMITTERS

TRIUMPH TR6



WATER PUMPS, THERMOSTATS, AND TEMPERATURE TRANSMITTERS

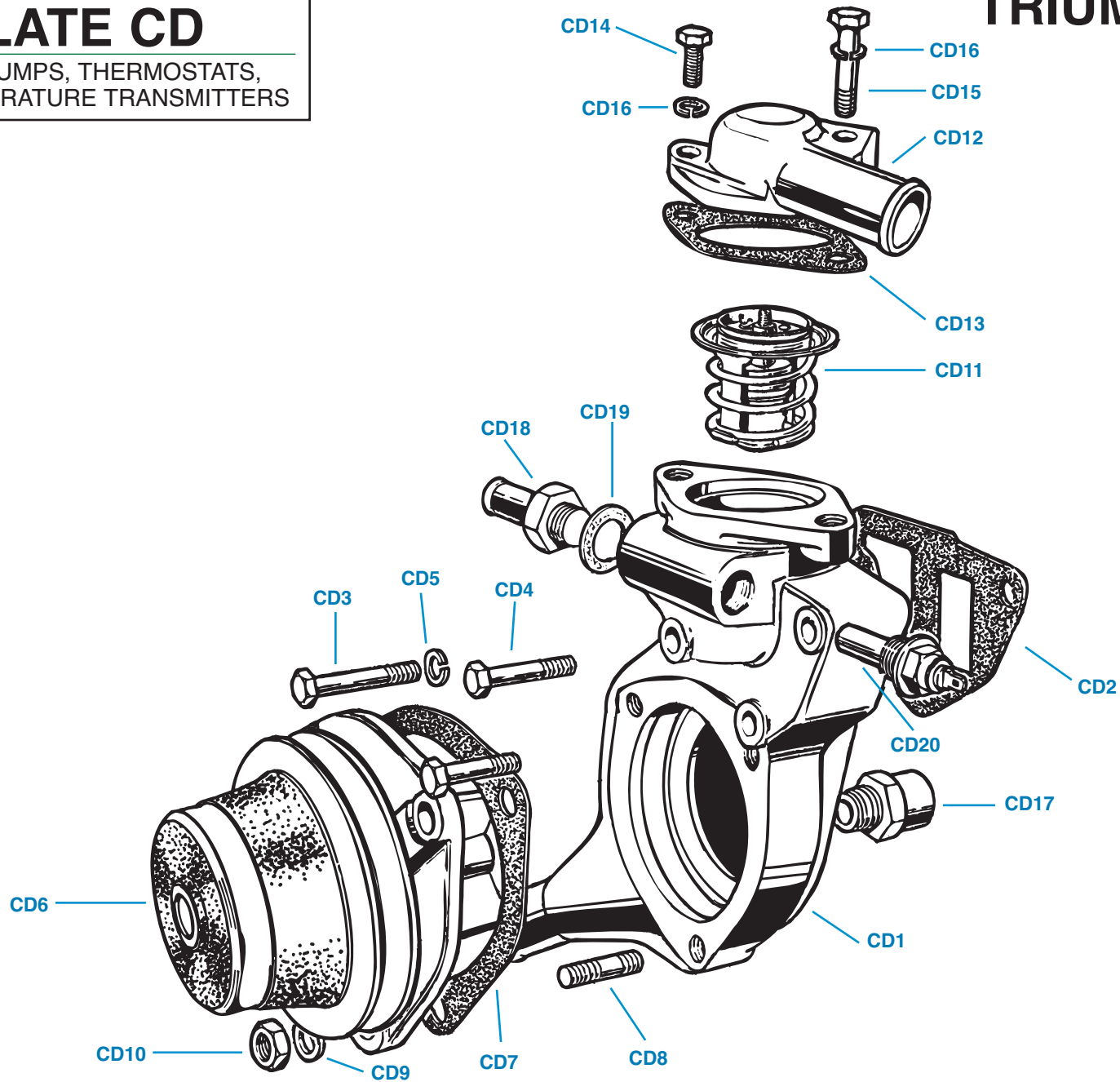
Plate No.	Part No.	Description	No. Off	Plate No.	Part No.	Description	No. Off		
		WATER PUMP DETAILS				WATER PUMP DETAILS-Continued			
CD1	307095	Water Pump Body	1			WATER PUMPS AND PULLEYS-Continued			
CD2	138792	Gasket , between water pump body and cylinder head	1		RFK393	WATER PUMP AND PULLEY ASSEMBLY , early P.I. models, up to around mid-1972, with 3/8-inch fan belt and crankshaft pulley	1		
		HARDWARE , securing water pump body to cylinder head				Bearing Housing Assembly	1		
CD3	HB825	Bolt	1		517257	Pulley , 3/8-inch groove	1		
CD4	HB818	Bolt	2		133239	HARDWARE , securing pulley to bearing housing	1		
CD5	WL208	Washer , lock	3		KW420	Key , woodruff	1		
		WATER PUMPS AND PULLEYS			WP181	Washer , plain	1		
		Please Note: When replacing water pumps or water pump pulleys, insure that crankshaft pulley, alternator pulley, and fan belt all have the same width, and then choose the corresponding water pump assembly or water pump pulley.			TN3208	Nut , nyloc	1		
					216591	WATER PUMP AND PULLEY ASSEMBLY , pressed-on pulley, fitted along with 3/8-inch fan belts and crankshaft pulleys, P.I. models from mid-1972 up to 1973	1		
CD6	RFK390	WATER PUMP AND PULLEY ASSEMBLY , early carb models with 3/8-inch fan belts and crankshaft pulleys	1		GWP201	WATER PUMP AND PULLEY ASSEMBLY , pressed-on pulley, fitted along with 3/8 inch fan belts and crankshaft pulleys, P.I. models after 1973	1		
	133258	Bearing Housing Assembly	1			Gasket , between water pump assembly and water pump body	1		
	133239	Pulley , 3/8-inch groove	1	CD7	138701	HARDWARE , securing water pump assembly to water pump body	1		
		HARDWARE , securing pulley to bearing housing				Stud	3		
	KW420	Key , woodruff	1		CD8	101962	3		
	WP181	Washer , plain	1		CD9	WL208	3		
	TN3208	Nut , nyloc	1		CD10	HN2008	3		
	RFK391	WATER PUMP AND PULLEY ASSEMBLY , early U.S.A. models with 1/2-inch fan belts and crankshaft pulleys	1			THERMOSTATS AND THERMOSTAT COVERS			
	517257	Bearing Housing Assembly	1		CD11	GTS106	Thermostat Unit , winter, opening at 190 degrees F. or 88 degrees C.	1	
	155955	Pulley , 1/2-inch groove (Also has an unused second groove.)	1			GTS104	Thermostat Unit , summer, opening at 180 degrees F. or 82 degrees C.	1	
		HARDWARE , securing pulley to bearing housing				CD12	134681	Cover , thermostat, carb models, fitted up to engine no. CC62888	1
	KW420	Key , woodruff	1			156333	Cover , thermostat, carb models, fitted from engine no. CC62888 up to CF35000	1	
	WP181	Washer , plain	1			UKC5342	Cover , thermostat, carb models, fitted after engine no. CF35000	1	
	TN3208	Nut , nyloc	1			134681	Cover , thermostat, P.I. models, fitted up to engine no. CP53031	1	
	218278	WATER PUMP AND PULLEY ASSEMBLY , pressed-on pulley, fitted along with 1/2-inch fan belts and crankshaft pulleys, carb models from eng. no. CC80028 up to CF35000	1			156333	Cover , thermostat, P.I. models, fitted after engine no. CP53031	1	
		WATER PUMP AND PULLEY ASSEMBLY , pressed-on pulley, fitted to carb models which are also fitted with air pumps, after eng. no. CF35000	1		CD13	57103	Gasket , thermostat cover, fitted up to engine no. CF12500/CR5000	1	
	TKC2106	WATER PUMP AND PULLEY ASSEMBLY , very early P.I. models with 3/8-inch fan belt and crankshaft pulley	1			GTG103	Gasket , thermostat cover, fitted after engine no. CF12500/CR5000	1	
	RFK392	WATER PUMP AND PULLEY ASSEMBLY , very early P.I. models with 3/8-inch fan belt and crankshaft pulley	1				HARDWARE , securing 134681 thermostat cover to water pump body		
	133258	Bearing Housing Assembly	1		CD14	HU808	Screw , set	1	
	133239	Pulley , 3/8-inch groove	1		CD15	HB814	Bolt	1	
		HARDWARE , securing pulley to bearing housing			CD16	WL208	Washer , lock	2	
	KW420	Key , woodruff	1						
	WP181	Washer , plain	1						
	TN3208	Nut , nyloc	1						

(Continued on next page.)

PLATE CD

WATER PUMPS, THERMOSTATS,
AND TEMPERATURE TRANSMITTERS

TRIUMPH TR6



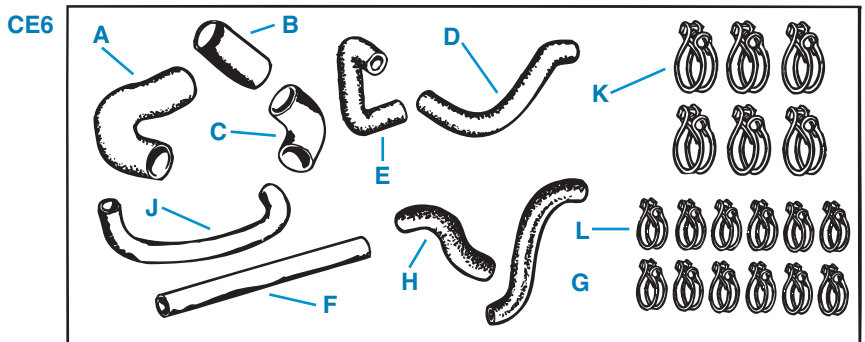
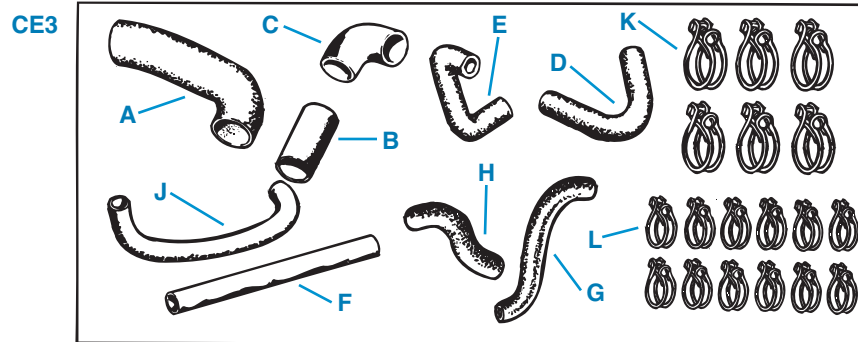
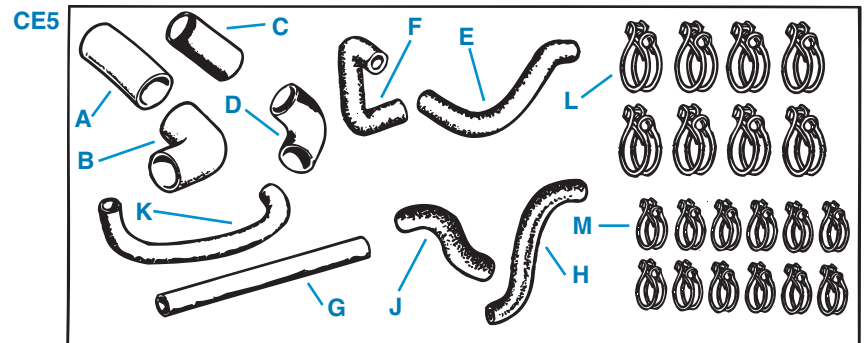
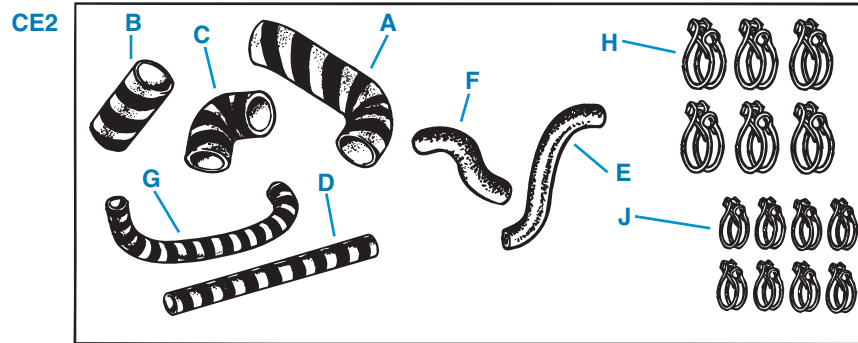
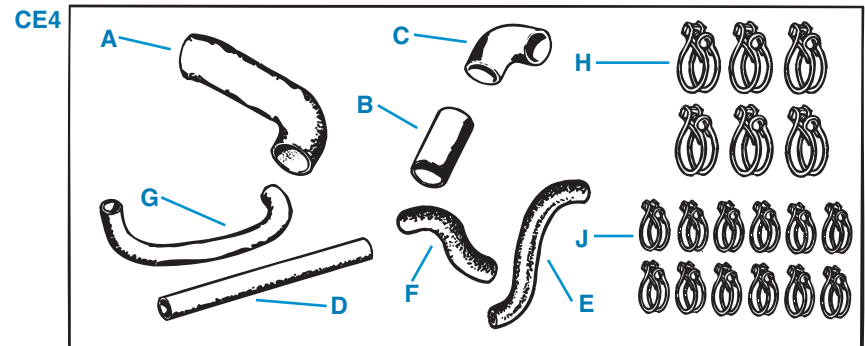
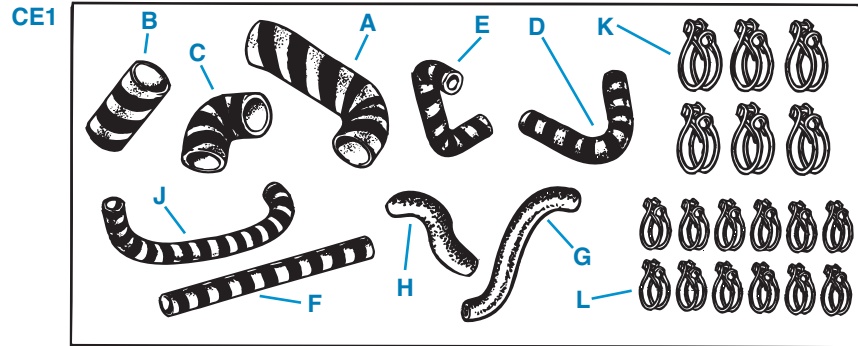
WATER PUMPS, THERMOSTATS, AND TEMPERATURE TRANSMITTERS

Plate No.	Part No.	Description	No. Off		Plate No.	Part No.	Description	No. Off
		THERMOSTATS AND THERMOSTAT COVERS-Continued						
		HARDWARE , securing 156333 thermostat cover to water pump body						
	HU808	Screw , set	1					
	HB810	Bolt	1					
	WL208	Washer , lock	2					
		HARDWARE , securing UKC5342 thermostat cover to water pump body						
	HU808	Screw , set	2					
	WL208	Washer , lock	2					
		MISCELLANEOUS FITTINGS						
CD17	101343	Adaptor , water return pipe to water pump body, all models with heaters	1					
	114774	Plug , blanking adaptor hole, models without heaters only	1					
CD18	138530	Adaptor , manifold hose to water pump body, carb models only	1					
CD19	WF524	Washer , fibre, sealing adaptor	1					
	122132	Plug , blanking adaptor hole, P.I. models only	1					
	WF513	Washer , fibre, sealing blanking plug	1					
CD20	150843	Sending Unit , water temperature gauge	1					

PLATE CE

WATER HOSES
—QUICK REFERENCE LISTING

TRIUMPH TR6



WATER HOSES—QUICK REFERENCE LISTING

Plate No.	Part No.	Description	No. Off	Plate No.	Part No.	Description	No. Off
CE1	WHS50	DELUXE WATER HOSE SET , black and yellow striped hoses, fitted to carb models up to comm. no. CC50000	1	CE4	WHS64	DELUXE WATER HOSE SET , green hoses, fitted to all P.I. models, after comm. no. CP50000	1
CE1A	148996	Hose , radiator, top	1	CE4A	GRH387	Hose , radiator, top	1
CE1B	148995	Hose , radiator, bottom, lower	1	CE4B	GRH392	Hose , radiator, bottom, lower	1
CE1C	148993	Hose , radiator, bottom, upper	1	CE4C	GRH393	Hose , radiator, bottom, upper	1
CE1D	149439	Hose , manifold, front, from water pump housing to intake manifold	1	CE4D	627310	Hose , heater, from water valve to bulkhead fitting	1
CE1E	148994	Hose , manifold, rear, from intake manifold to return pipe	1	CE4E	623284	Hose , heater, from bulkhead fitting to heater, plain black hose	1
CE1F	622141	Hose , heater, from water valve to bulkhead fitting	1	CE4F	623285	Hose , heater, from heater to bulkhead fitting, plain black hose	1
CE1G	623284	Hose , heater, from bulkhead fitting to heater, plain black hose	1	CE4G	627311	Hose , heater, from bulkhead fitting to return pipe	1
CE1H	623285	Hose , heater, from heater to bulkhead fitting, plain black hose	1	CE4H	CS4024	Clip , hose, large	6
CE1J	622158	Hose , heater, from bulkhead fitting to return pipe	1	CE4J	CS4012	Clip , hose, small	8
CE1K	CS4024	Clip , hose, large	6	CE5	WHS62	DELUXE WATER HOSE SET , green hoses, fitted to carb models from comm. no. CC75000 up to CF35000	1
CE1L	CS4012	Clip , hose, small	12	CE5A	158289	Hose , radiator, top, straight part	1
CE2	WHS51	DELUXE WATER HOSE SET , black and yellow striped hoses, fitted to P.I. models up to comm. no. CP50000	1	CE5B	158290	Hose , radiator, top, elbow	1
CE2A	148996	Hose , radiator, top	1	CE5C	GRH392	Hose , radiator, bottom, lower	1
CE2B	148995	Hose , radiator, bottom, lower	1	CE5D	GRH393	Hose , radiator, bottom, upper	1
CE2C	148993	Hose , radiator, bottom, upper	1	CE5E	157688	Hose , manifold, front, from water pump housing to intake manifold	1
CE2D	622141	Hose , heater, from water valve to bulkhead fitting	1	CE5F	157689	Hose , manifold, rear, from intake manifold to return pipe	1
CE2E	623284	Hose , heater, from bulkhead fitting to heater, plain black hose	1	CE5G	627310	Hose , heater, from water valve to bulkhead fitting	1
CE2F	623285	Hose , heater, from heater to bulkhead fitting, plain black hose	1	CE5H	623284	Hose , heater, from bulkhead fitting to heater, plain black hose	1
CE2G	622158	Hose , heater, from bulkhead fitting to return pipe	1	CE5J	623285	Hose , heater, from heater to bulkhead fitting	1
CE2H	CS4024	Clip , hose, large	6	CE5K	627311	Hose , heater, from bulkhead fitting to return pipe	1
CE2J	CS4012	Clip , hose, small	8	CE5L	CS4024	Clip , hose, large	8
CE3	WHS61	DELUXE WATER HOSE SET , green hoses, fitted to carb models, from comm. no. CC50000 up to CC75000	1	CE5M	CS4012	Clip , hose, small	12
CE3A	GRH387	Hose , radiator, top	1	CE6	WHS63	DELUXE WATER HOSE SET , green hoses, fitted after comm. no. CF35000	1
CE3B	GRH392	Hose , radiator, bottom, lower	1	CE6A	UKC5238	Hose , radiator, top	1
CE3C	GRH393	Hose , radiator, bottom, upper	1	CE6B	GRH392	Hose , radiator, bottom, lower	1
CE3D	154149	Hose , manifold, front, from water pump housing to intake manifold	1	CE6C	GRH393	Hose , radiator, bottom, upper	1
CE3E	154146	Hose , manifold, rear, from intake manifold to return pipe	1	CE6D	157688	Hose , manifold, front, from water pump housing to intake manifold	1
CE3F	627310	Hose , heater, from water valve to bulkhead fitting	1	CE6E	UKC5253	Hose , manifold, rear, from water intake manifold to return pipe	1
CE3G	623284	Hose , heater, from bulkhead fitting to heater, plain black hose	1	CE6F	627310	Hose , heater, from water valve to bulkhead fitting	1
CE3H	623285	Hose , heater, from heater to bulkhead fitting, plain black hose	1	CE6G	623284	Hose , heater, from bulkhead fitting to heater, plain black hose	1
CE3J	627311	Hose , heater, from bulkhead fitting to return pipe	1	CE6H	623285	Hose , heater, from heater to bulkhead fitting	1
CE3K	CS4024	Clip , hose, large	6	CE6J	627311	Hose , heater, from bulkhead fitting to return pipe	1
CE3L	CS4012	Clip , hose, small	12	CE6K	CS4024	Clip , hose, large	6
				CE6L	CS4012	Clip , hose, small	12