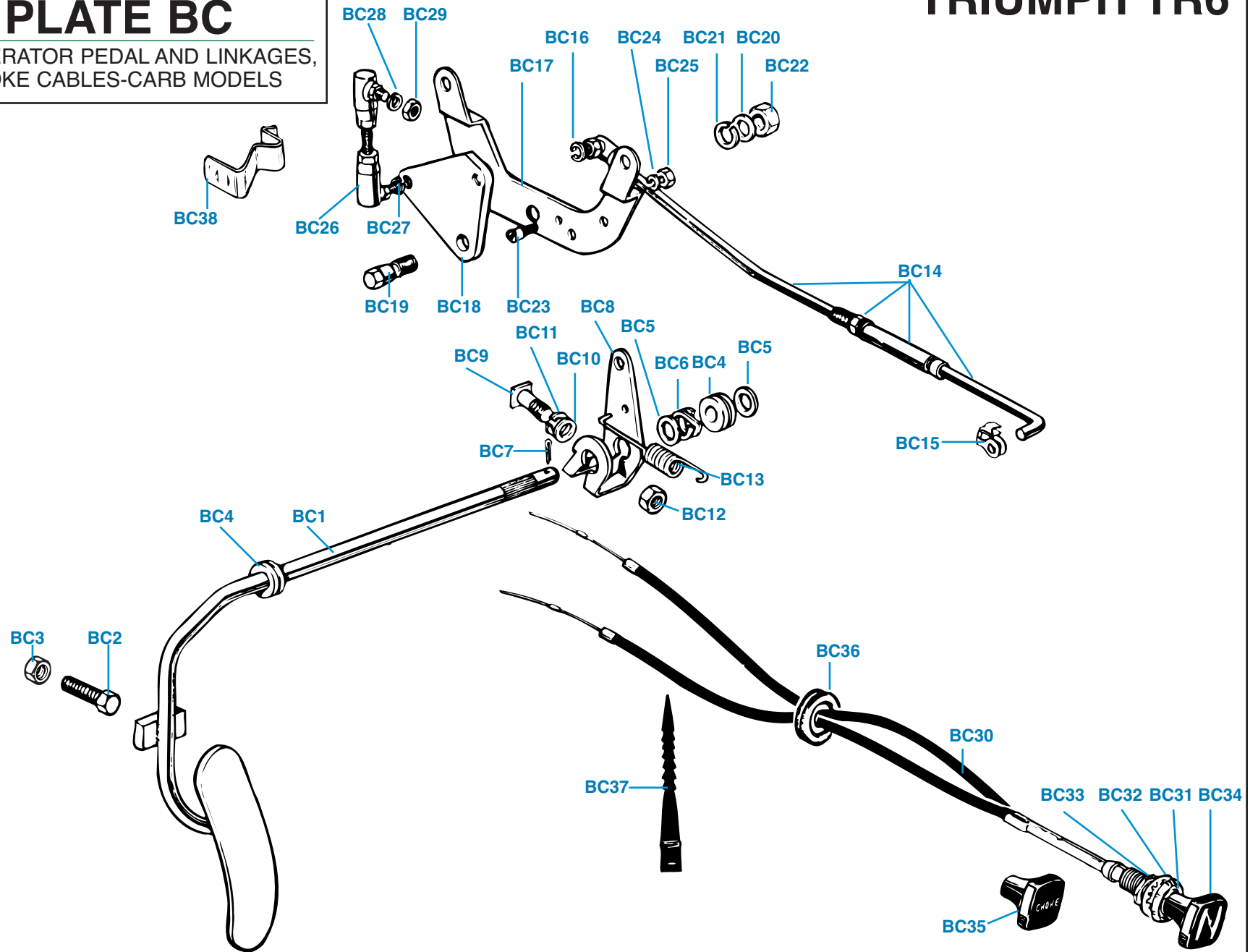


# PLATE BC

ACCELERATOR PEDAL AND LINKAGES,  
CHOKE CABLES-CARB MODELS

# TRIUMPH TR6



# ACCELERATOR PEDAL & LINKAGES, CHOKE CABLES—CARB MODELS

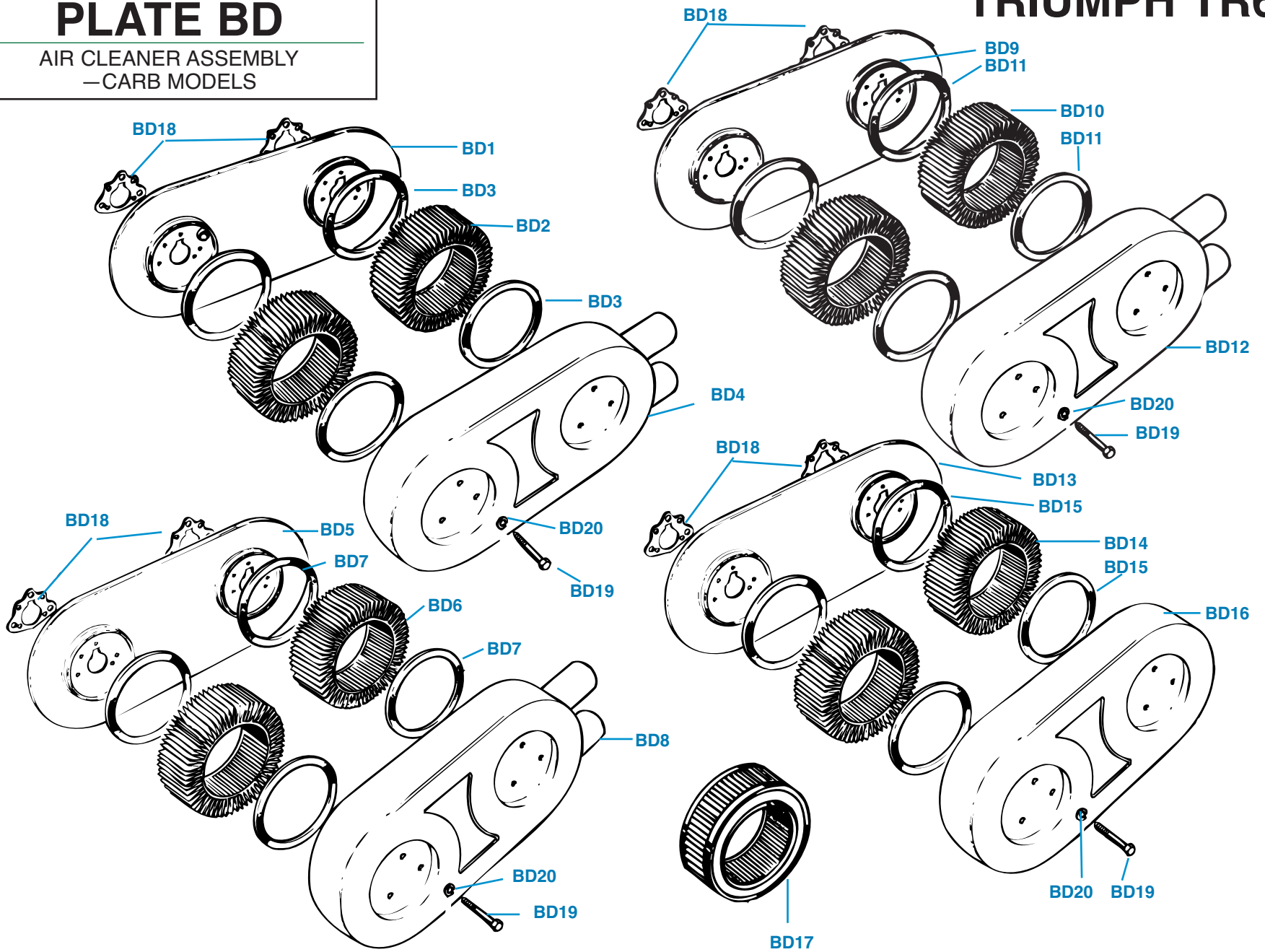
Plate No.	Part No.	Description	No. Off
<b>ACCELERATOR PEDAL DETAILS</b>			
BC1	214444	<b>Accelerator Pedal and Shaft Assembly</b> , L.H.S.	1
<b>PEDAL STOP DETAILS</b>			
BC2	HU708	<b>Screw</b> , set, pedal stop	1
BC3	JN2107	<b>Nut</b> , jam, locking screw	1
BC4	138490	<b>Bearing</b> , nylon, pedal shaft, fitted in bulkhead panel <b>HARDWARE</b> , locating and retaining pedal shaft in bulkhead panel	2
BC5	WP9	<b>Washer</b> , plain	2
BC6	WD159	<b>Washer</b> , double coil	1
BC7	PC9	<b>Pin</b> , cotter	1
BC8	148500	<b>Lever</b> , control, fitted to pedal shaft <b>HARDWARE</b> , securing control lever to pedal shaft	1
BC9	BQ4811	<b>Bolt</b>	1
BC10	WP21	<b>Washer</b> , plain	1
BC11	WL208	<b>Washer</b> , lock	1
BC12	HN2008	<b>Nut</b>	1
BC13	27645 60274	<b>Spring</b> , return, fitted up to comm. no. CF1 <b>Spring</b> , return, fitted after comm. no. CF1	1 1
<b>THROTTLE LINKAGE</b>			
BC14	148497	<b>Adjustable Control Rod Assembly</b> , pedal to bell crank	1
BC15	606698	<b>Clip</b> , linkage, securing control rod to control lever	1
BC16	WL206	<b>Washer</b> , lock, securing control rod pin to bell crank lever	1
BC17	214407	<b>Support Bracket Assembly</b> , bell crank lever	1
BC18	148960	<b>Lever</b> , bell crank <b>HARDWARE</b> , securing bell crank lever to support bracket	1
BC19	136482	<b>Bolt</b> , shouldered	1
BC20	WP8	<b>Washer</b> , plain	1
BC21	WL208	<b>Washer</b> , lock	1
BC22	HN2008	<b>Nut</b>	1
<b>ADJUSTABLE THROTTLE STOP DETAILS</b>			
BC23	148972	<b>Throttle Stop</b>	1
BC24	WL203	<b>Washer</b> , lock	1
BC25	HN2053	<b>Nut (no. 6 U.N.C.)</b>	1
BC26	148496	<b>Control Rod Assembly</b> , bell crank to carburettor linkage	1
BC27	WL207	<b>Washer</b> , lock, securing control rod to bell crank <b>HARDWARE</b> , securing control rod to throttle linkage	1
BC28	WL207	<b>Washer</b> , lock	1
BC29	JN2107	<b>Nut</b> , jam	1

Plate No.	Part No.	Description	No. Off
<b>CHOKE CABLE DETAILS</b>			
BC30	214672	<b>CHOKE CABLE ASSEMBLY</b> , flexible cables, knob with symbol identification, fitted up to comm. no. CC75000	1
	218301	<b>CHOKE CABLE ASSEMBLY</b> , flexible cables, knob with word "CHOKE," fitted from comm. no. CC75000 up to CF12500	1
	UKC2121	<b>CHOKE CABLE ASSEMBLY</b> , stiff cables, knob with word "CHOKE," fitted after comm. no. CF12500	1
BC31	146987	<b>Bezel</b> , choke cable	1
BC32	WN711	<b>Washer</b> , shakeproof	1
BC33	515789	<b>Nut</b> , locking choke cable	1
BC34	712907	<b>Knob</b> , choke control, symbol identification	1
BC35	725373	<b>Knob</b> , choke control, word "CHOKE"	1
BC36	600395	<b>Grommet</b> , rubber, choke cables to bulkhead	1
BC37	145890	<b>Cleat</b> , fir tree, securing cables	1
BC38	516962	<b>Clip</b> , spring, securing outer choke cables to carburettor brackets	2

# PLATE BD

AIR CLEANER ASSEMBLY  
—CARB MODELS

# TRIUMPH TR6



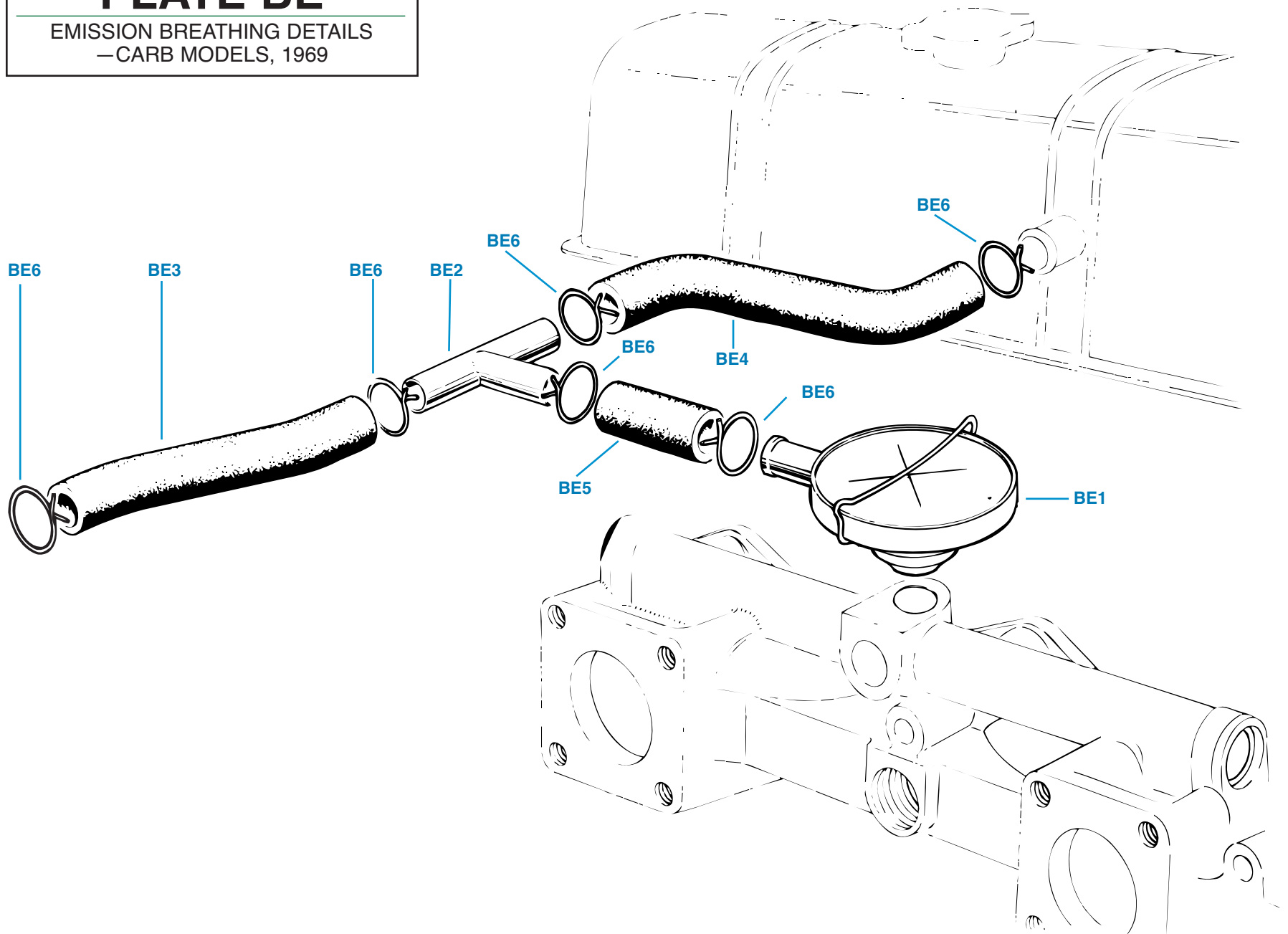
# AIR CLEANER ASSEMBLY—CARB MODELS

Plate No.	Part No.	Description	No. Off	Plate No.	Part No.	Description	No. Off
	148636	<b>AIR CLEANER ASSEMBLY</b> , fitted up to comm. no. CC50000	1				
BD1	214466	<b>Back Plate Assembly</b>	1				
		<b>ORIGINAL FILTER ELEMENT</b>					
BD2	148600	<b>Filter Element</b>	2				
BD3	148599	<b>Gasket</b> , filter	4				
BD4	214468	<b>Front Cover Assembly</b>	1				
	154223	<b>AIR CLEANER ASSEMBLY</b> , fitted from comm. no. CC50001 up to CC67483	1				
BD5	216489	<b>Back Plate Assembly</b>	1				
		<b>ORIGINAL FILTER ELEMENT</b>					
BD6	148600	<b>Filter Element</b>	2				
BD7	148599	<b>Gasket</b> , filter	4				
BD8	218044	<b>Front Cover Assembly</b>	1				
	156268	<b>AIR CLEANER ASSEMBLY</b> , fitted from comm. no. CC67484 up to CC75000	1				
BD9	217499	<b>Back Plate Assembly</b>	1				
		<b>ORIGINAL FILTER ELEMENT</b>					
BD10	148600	<b>Filter Element</b>	2				
BD11	148599	<b>Gasket</b> , filter	4				
BD12	218044	<b>Front Cover Assembly</b>	1				
	157736	<b>AIR CLEANER ASSEMBLY</b> , fitted after comm. no. CC75000	1				
BD13	217499	<b>Back Plate Assembly</b>	1				
		<b>ORIGINAL FILTER ELEMENT</b>					
BD14	148600	<b>Filter Element</b>	2				
BD15	148599	<b>Gasket</b> , filter	4				
BD16	157735	<b>Front Cover Assembly</b>	1				
BD17	GFE1020	<b>Replacement Air Filter Element</b> , modern type (Does not require separate filter gaskets; use for all replacements.)	2				
	RFK347	<b>HARDWARE AND GASKET SET</b> , securing air cleaner assembly to carburetors	1				
BD18	BHH1992	<b>Gasket</b> , between air cleaner assembly and carburetors	2				
BD19	HB868	<b>Bolt</b> , securing air cleaner assembly to carburetors	6				
BD20	WL208	<b>Washer</b> , lock	6				

# PLATE BE

EMISSION BREATHING DETAILS  
—CARB MODELS, 1969

# TRIUMPH TR6



# EMISSION BREATHING DETAILS—CARB MODELS, 1969

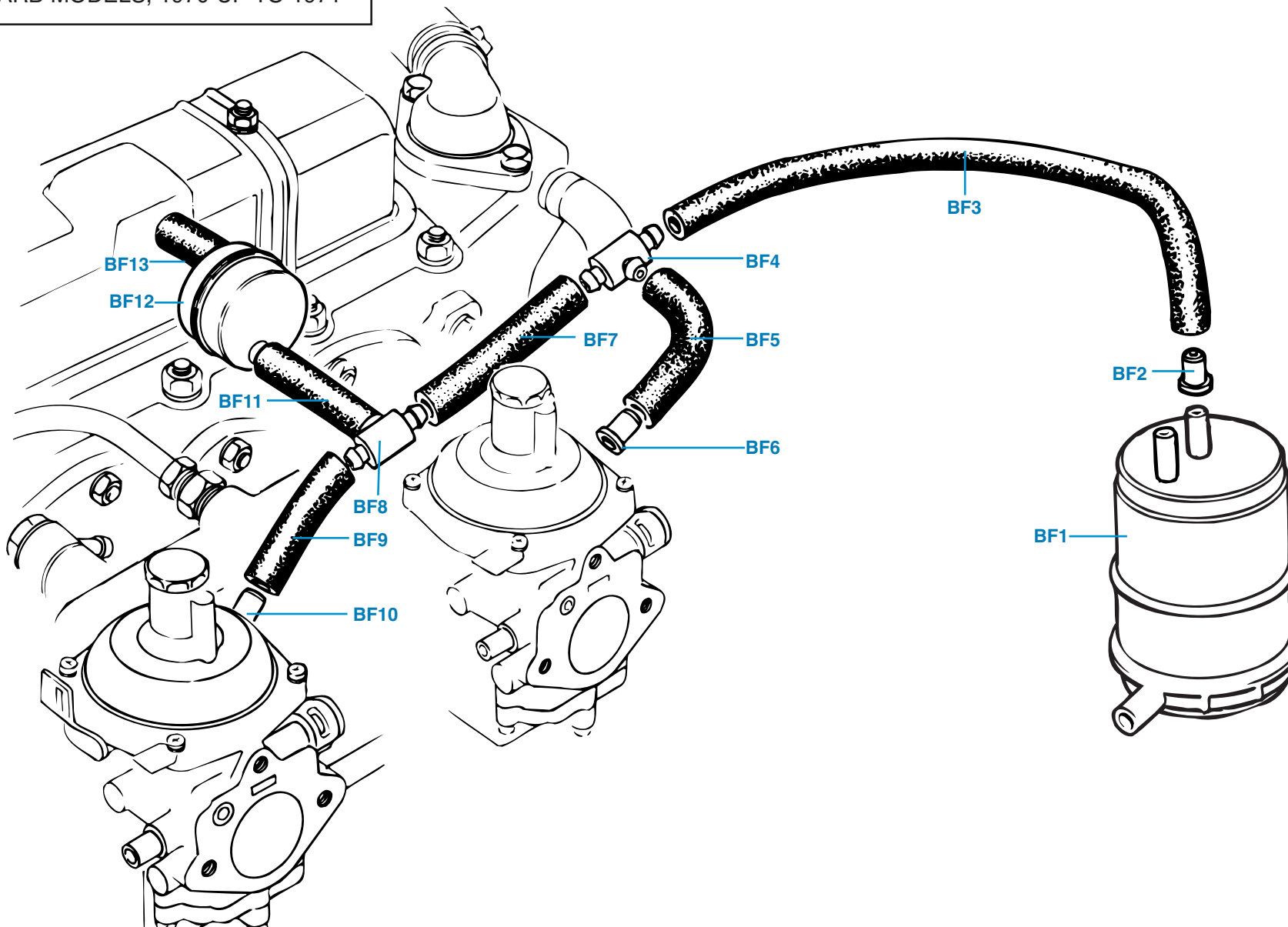
Plate No.	Part No.	Description	No. Off
		<b>EMISSION BREATHING DETAILS</b> , up to eng. no. CC50000	
BE1	151444	<b>EMISSION CONTROL VALVE</b> (Closed Circuit Breather)	1
	517582	<b>REPAIR KIT</b> , emission control valve	1
	149342	<b>Plunger</b> , sub-assembly	1
	151442	<b>Diaphragm</b>	1
	151443	<b>Cover</b> , top	1
BE2	149154	<b>T-Fitting</b>	1
BE3	149158	<b>Hose</b> , from T-fitting to air cleaner	1
BE4	149153	<b>Hose</b> , from T-fitting to rocker cover	1
BE5	149157	<b>Hose</b> , from T-fitting to emission valve	1
BE6	CC5011	<b>Clip</b> , hose, Corbin type, securing hoses	6
	CC5012	<b>Clip</b> , hose, Corbin type, securing hoses; alternative to CC5011	6

Plate No.	Part No.	Description	No. Off
-----------	----------	-------------	---------

# PLATE BF

EMISSION BREATHING DETAILS  
—CARB MODELS, 1970 UP TO 1971

# TRIUMPH TR6



# EMISSION BREATHING DETAILS—CARB MODELS, 1970 UP TO 1971

Plate No.	Part No.	Description	No. Off
		<b>EMISSION BREATHING DETAILS</b> , from eng. no. CC50000 up to CC65347 approx.	
BF1	216355	<b>Carbon Canister</b>	1
BF2	154209	<b>Restrictor (Plastic Adaptor)</b> , hose to carbon canister	1
BF3	154218	<b>Hose</b> , from carbon canister to T-fitting	1
BF4	154211	<b>T-Fitting</b> , front	1
BF5	154213	<b>Hose</b> , from front T-fitting to front carb	1
BF6	154210	<b>Restrictor (Plastic Adaptor)</b> , hose to front carb	1
BF7	154217	<b>Hose</b> , from front T-fitting to rear T-fitting	1
BF8	154211	<b>T-Fitting</b> , rear	1
BF9	154213	<b>Hose</b> , from rear T-fitting to rear carb	1
BF10	154210	<b>Restrictor (Plastic Adaptor)</b> , hose to rear carb	1
BF11	154215	<b>Hose</b> , from rear T-fitting to breather assembly	1
BF12	146725	<b>Breather Assembly</b>	1
BF13	154215	<b>Hose</b> , from breather to rocker cover	1
		<b>EMISSION BREATHING DETAILS</b> , Swedish models only fitted up to eng. no. CC75000	
	154213	<b>Hose</b> , from rocker cover to T-fitting	1
	154211	<b>T-Fitting</b>	1
	152855	<b>Hose</b> , from T-fitting to front carb	1
	154210	<b>Restrictor (Plastic Adaptor)</b> , hose to rear carb	1
	154216	<b>Hose</b> , from T-fitting to rear carb	1
	154210	<b>Restrictor (Plastic Adaptor)</b> , hose to rear carb	1
	CC5011	<b>Clip</b> , hose, Corbin type, securing hoses	A/R

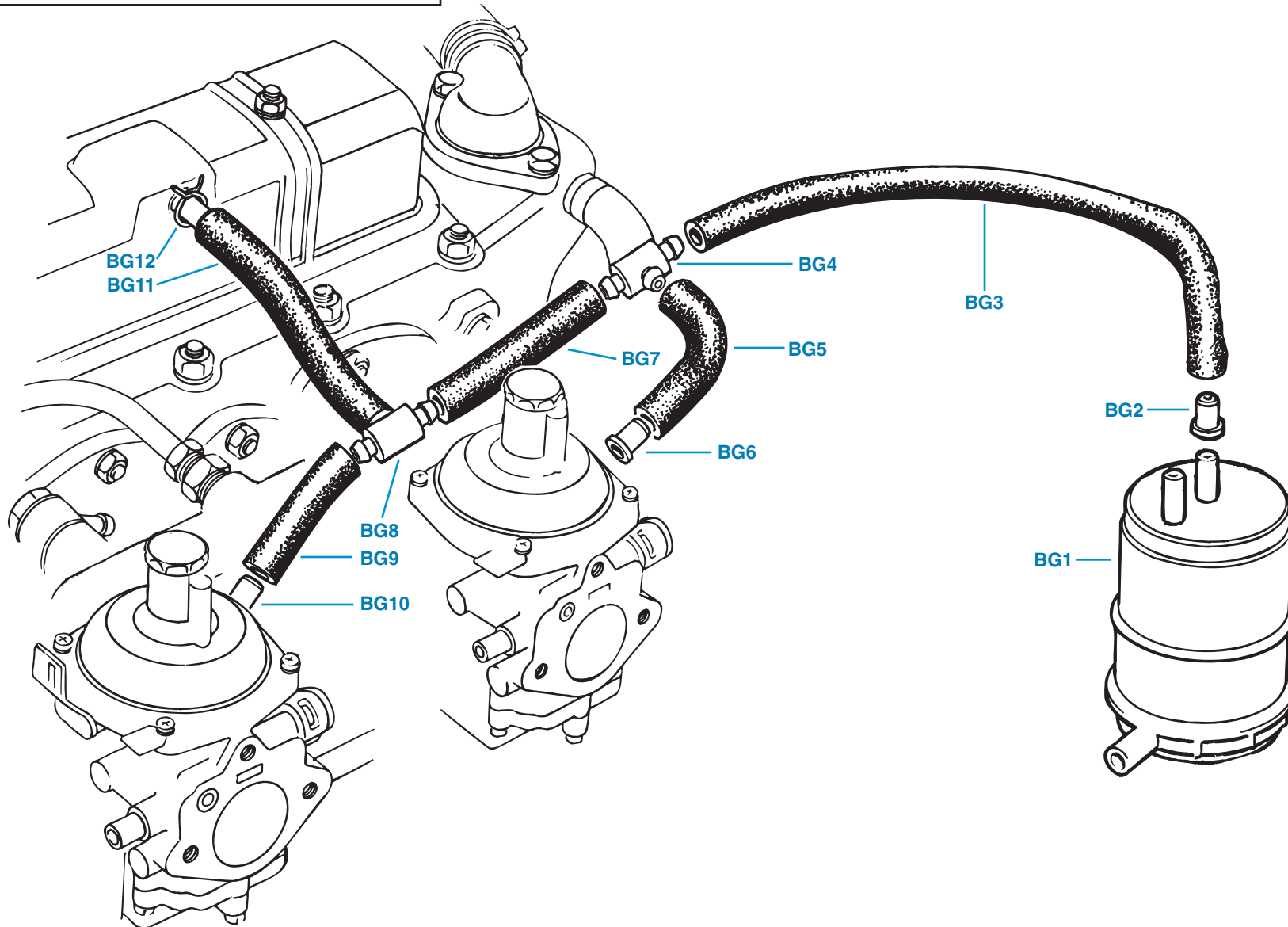
Plate No.	Part No.	Description	No. Off
-----------	----------	-------------	---------



# PLATE BG

EMISSION BREATHING DETAILS  
—CARB MODELS, 1971 UP TO 1972

# TRIUMPH TR6



# EMISSION BREATHING DETAILS—CARB MODELS, 1971 UP TO 1972

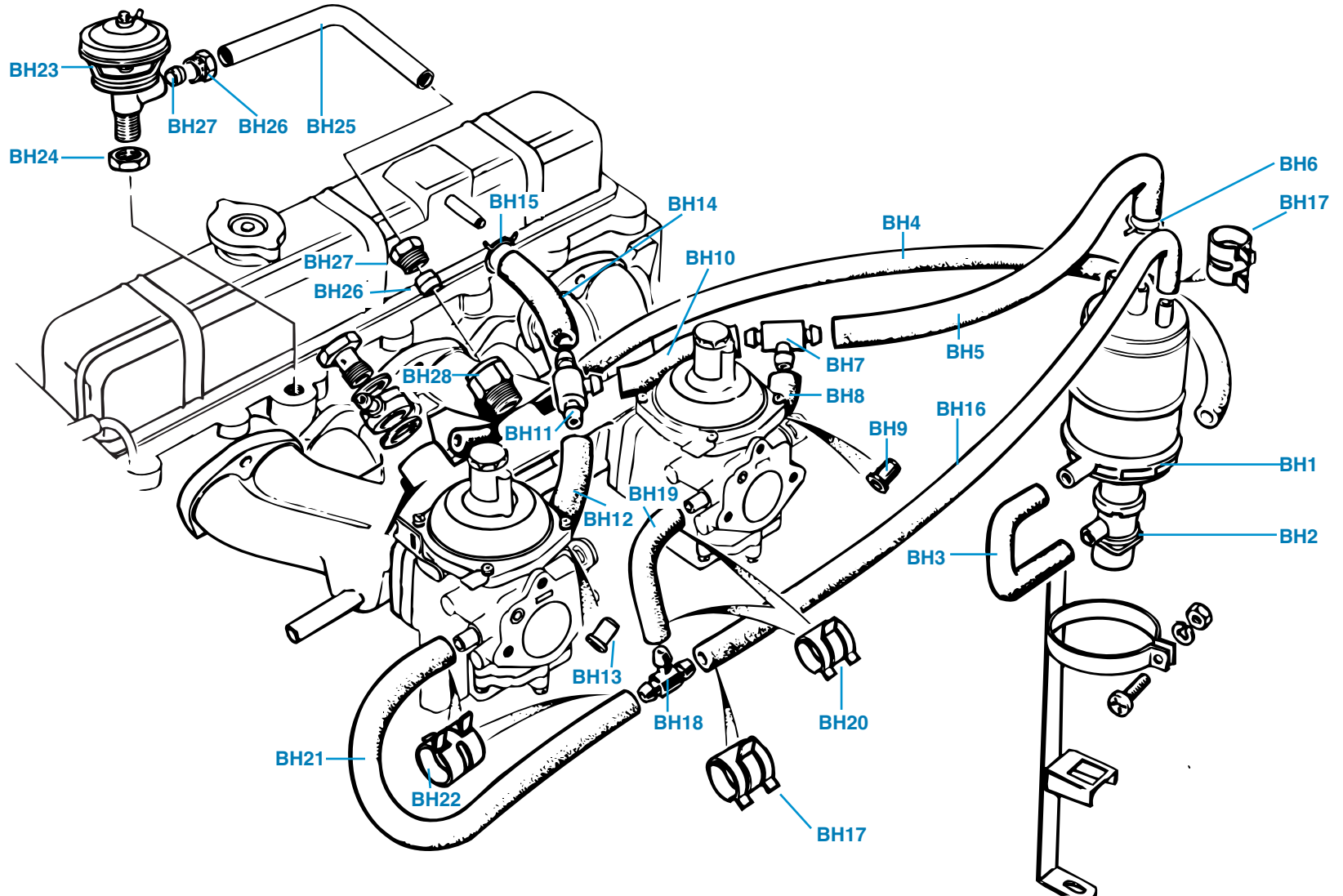
Plate No.	Part No.	Description	No. Off
		<b>EMISSION BREATHING DETAILS</b> , from eng. no. CC65348 up to CF1	
BG1	216355	<b>Carbon Canister Assembly</b>	1
BG2	154209	<b>Restrictor (Plastic Adaptor)</b> , hose to carbon canister	1
BG3	154218	<b>Hose</b> , from carbon canister to T-fitting, fitted up to eng. no. CC75000	1
	154221	<b>Hose</b> , from carbon canister to T-fitting, fitted after eng. no. CC75000	1
BG4	154211	<b>T-Fitting</b> , front	1
BG5	154217	<b>Hose</b> , from front T-fitting to front carb	1
BG6	154210	<b>Restrictor (Plastic Adaptor)</b> , hose to front carb, fitted up to eng. no. CC75000	1
	155148	<b>Adaptor</b> , hose to front carb, fitted after eng. no. CC75000	1
BG7	154212	<b>Hose</b> , from front T-fitting to rear T-fitting	1
BG8	154211	<b>T-Fitting</b> , rear	1
BG9	154216	<b>Hose</b> , T-fitting to rear carb	1
BG10	154210	<b>Restrictor (Plastic Adaptor)</b> , hose to rear carb, fitted up to eng. no. CC75000	1
	155148	<b>Adaptor</b> , hose to rear carb, fitted after eng. no. CC75000	1
BG11	154213	<b>Hose</b> , from T-fitting to rocker cover, fitted up to eng. no. CC75000	1
	154219	<b>Hose</b> , from T-fitting to rocker cover, fitted after eng. no. CC75000	1
BG12	CC5011	<b>Clip</b> , hose, Corbin type	2

Plate No.	Part No.	Description	No. Off
-----------	----------	-------------	---------

# PLATE BH

EMISSION BREATHING DETAILS  
—CARB MODELS, 1973 UP TO 1976  
E.G.R. VALVE—CARB MODELS, 1974-1976

# TRIUMPH TR6



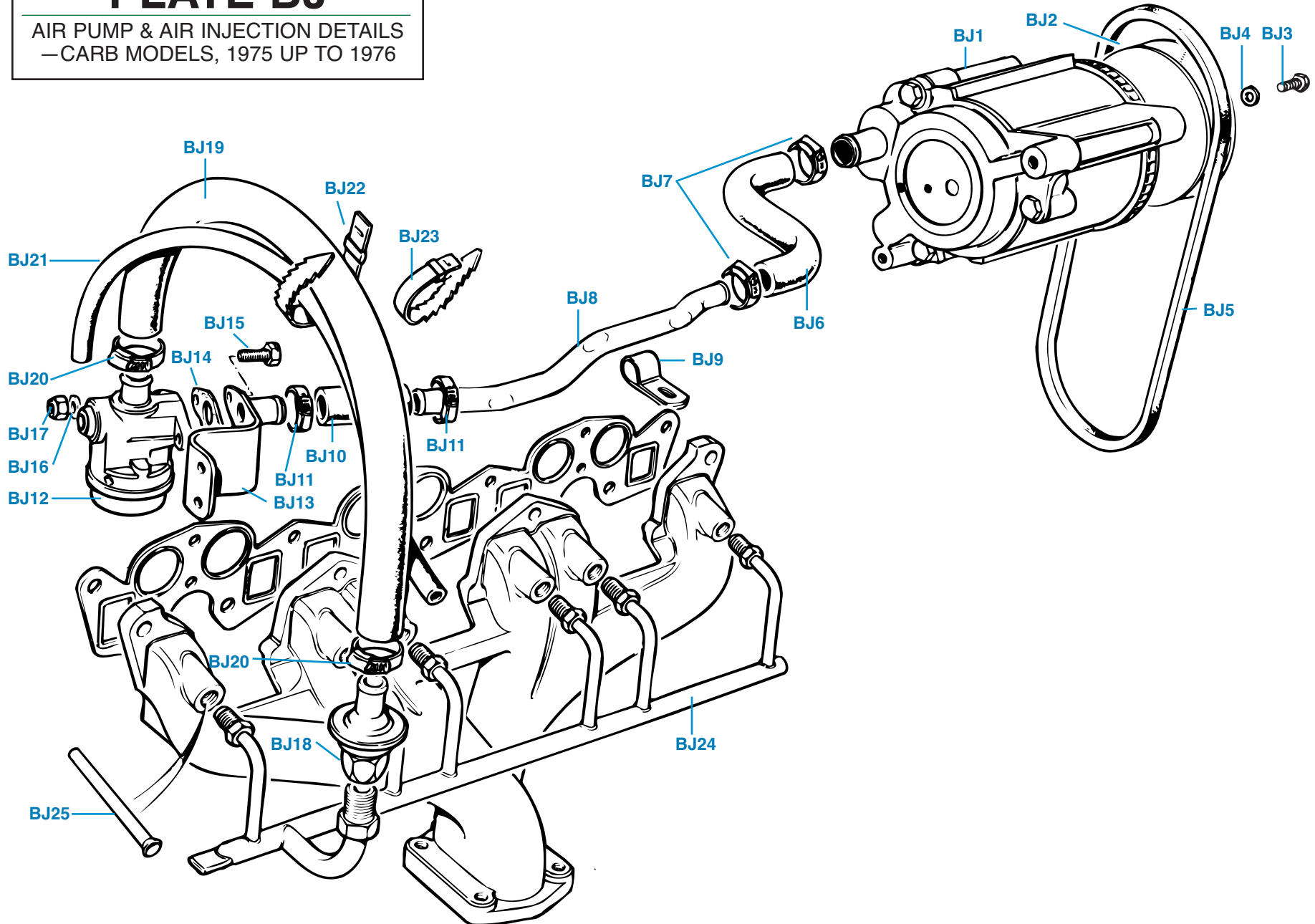
## EMISSION BREATHING DETAILS—CARB MODELS, 1973 UP TO 1976; E.G.R. VALVE-CARB MODELS, 1974-1976

Plate No.	Part No.	Description	No. Off	Plate No.	Part No.	Description	No. Off
		<b>CARBON CANISTER AND ANTI RUN-ON VALVE, 1973 up to 1976</b>					
BH1	218996	<b>Canister</b> , carbon, Cooper's brand	1				
	TKC1331	<b>Canister</b> , carbon, Tecalemit brand; alternative to 218996	1				
BH2	12H4295	<b>Valve Assembly</b> , anti run-on	1				
BH3	159813	<b>Hose</b> , connecting carbon canister to anti run-on valve	1				
		<b>MOUNTING DETAILS</b> , carbon canister and anti run-on valve (See Section AS.)					
		<b>EMISSION HOSES AND FITTINGS, 1973 up to 1976</b>					
BH4	159883	<b>Hose</b> , from anti run-on valve to brake servo fitting on intake manifold	1				
BH5	157767	<b>Hose</b> , from carbon canister to front T-fitting	1				
BH6	CC5011	<b>Clip</b> , hose, Corbin type, securing hose to carbon canister	1				
BH7	154211	<b>T-Fitting</b> , front	1				
BH8	154219	<b>Hose</b> , from front T-fitting to front carb	1				
BH9	155148	<b>Adaptor</b> , black plastic, hose to carb	1				
BH10	154219	<b>Hose</b> , from front T-fitting to rear T-fitting	1				
BH11	154211	<b>T-Fitting</b> , rear	1				
BH12	154219	<b>Hose</b> , from rear T-fitting to rear carb	1				
BH13	155148	<b>Adaptor</b> , black plastic, hose to carb	1				
BH14	154219	<b>Hose</b> , from rear T-fitting to rocker cover	1				
BH15	CC5012	<b>Clip</b> , hose, Corbin type, securing hose to rocker cover	1				
BH16	149609	<b>Hose</b> , from carbon canister to outer T-fitting	1				
BH17	UKC3793	<b>Clip</b> , hose, securing hose to carbon canister and to outer T-fitting	2				
BH18	155645	<b>T-Fitting</b> , outer	1				
BH19	149614	<b>Hose</b> , from outer T-fitting to front carb	1				
BH20	UKC3793	<b>Clip</b> , hose, securing hose to outer T-fitting and to front carb	2				
BH21	149608	<b>Hose</b> , from outer T-fitting to rear carb	1				
BH22	UKC3793	<b>Clip</b> , hose, securing hose to outer T-fitting and to rear carb	2				
		<b>E.G.R. VALVE AND FITTINGS, after engine no. CF12500</b>					
BH23	TKC284	<b>E.G.R. Valve Assembly</b>	1				
BH24	106108	<b>Nut</b> , jam, securing E.G.R. valve to cylinder head	1				
BH25	UKC2316	<b>Pipe</b> , connecting, E.G.R. valve to intake manifold	1				
		<b>HARDWARE</b> , securing pipe to E.G.R. valve and to intake manifold					
BH26	UKC1413	<b>Nut</b> , tubing	2				
BH27	TL11	<b>Sleeve</b> , compression	2				
BH28	UKC2313	<b>Adaptor</b>	1				

# PLATE BJ

AIR PUMP & AIR INJECTION DETAILS  
—CARB MODELS, 1975 UP TO 1976

# TRIUMPH TR6



# AIR PUMP & INJECTION DETAILS—CARB MODELS, 1975 UP TO 1976

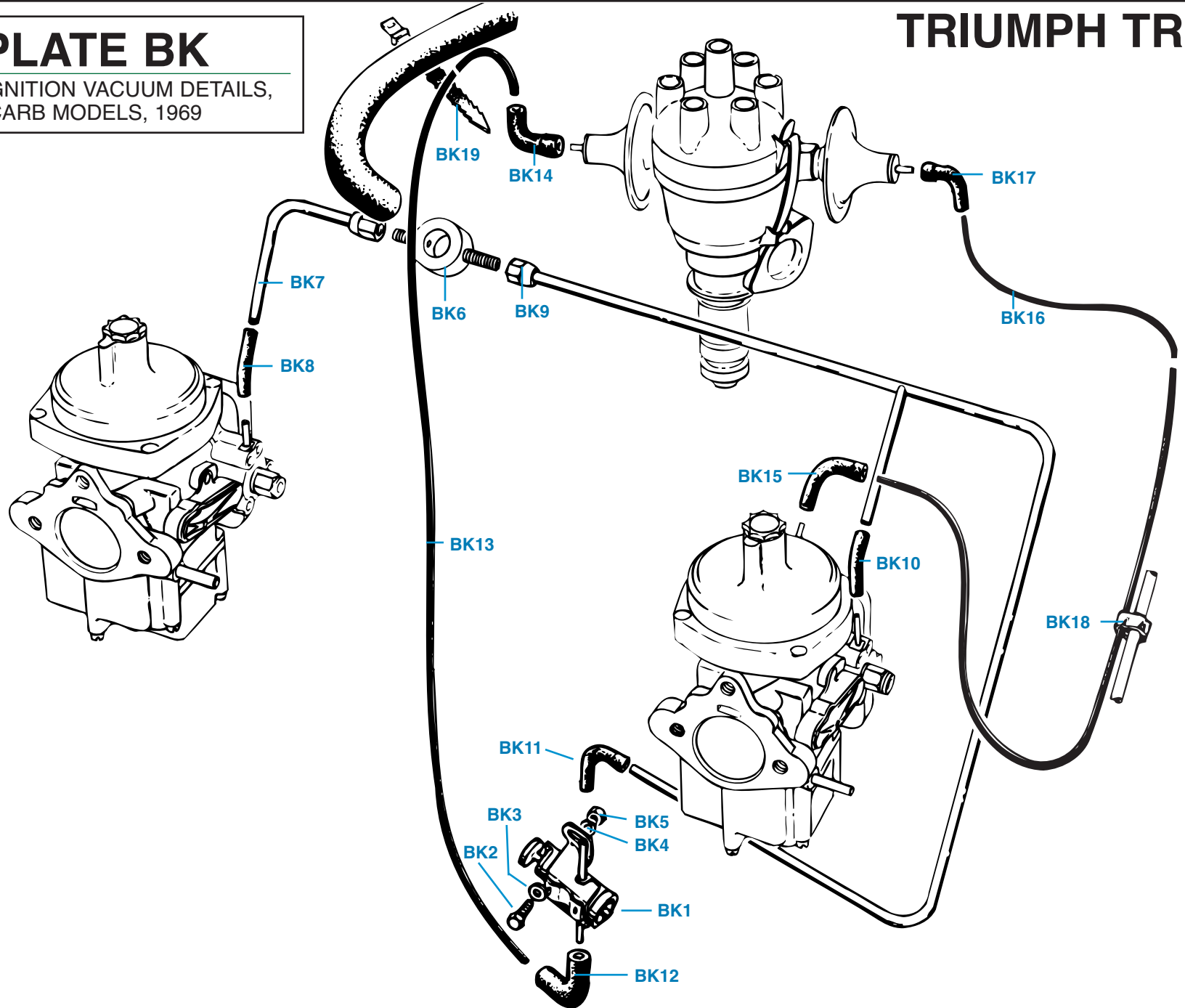
Plate No.	Part No.	Description	No. Off
<b>AIR PUMP DETAILS</b>			
BJ1	RKC741	<b>Air Pump Assembly</b>	1
BJ2	UKC5159	<b>Pulley</b> , air pump drive	1
		<b>HARDWARE</b> , securing pulley to air pump	
BJ3	HU755	<b>Screw</b> , set	3
BJ4	WP7	<b>Washer</b> , plain	3
BJ5	TKC2166	<b>Belt</b> , air pump drive	1
		<b>Please Note:</b> Bracket and hardware for mounting air pump assembly to car are listed in Section AN.	
<b>AIR INJECTION DETAILS</b>			
BJ6	UKC5321	<b>Hose</b> , from air pump to air pipe	1
BJ7	CJ600184	<b>Clip</b> , hose, securing hose to air pump and to air pipe	2
BJ8	UKC5319	<b>Pipe</b> , air	1
BJ9	UKC5318	<b>Clip</b> , anchoring air pipe to ignition coil attachment	1
BJ10	UKC5322	<b>Hose</b> , from air pipe to diverter valve	1
BJ11	CJ600184	<b>Clip</b> , hose, securing hose to air pipe and to diverter valve	2
BJ12	TKC1234	<b>Valve</b> , diverter	1
BJ13	UKC5243	<b>Bracket Assembly</b> , mounting diverter valve	1
		<b>Please Note:</b> On very late carb models, the diverter valve bracket and the rear lifting eye were combined into one part; however, no part number is available for this component.	
		<b>HARDWARE AND FITTINGS</b> , securing diverter valve to bracket	
BJ14	UKC2683	<b>Gasket</b>	1
BJ15	HU708	<b>Screw</b> , set	2
BJ16	WP7	<b>Washer</b> , plain	2
BJ17	143800	<b>Nut</b>	2
		<b>HARDWARE</b> , securing diverter valve bracket and rear engine lifting eye to engine block	
	HU806	<b>Screw</b> , set	2
	WL208	<b>Washer</b> , lock	2
BJ18	UKC2643	<b>Valve</b> , check	1
BJ19	UKC5320	<b>Hose</b> , from diverter valve to check valve	1
BJ20	CJ600224	<b>Clip</b> , hose, securing hose to diverter valve and to check valve	2
BJ21	UKC3496	<b>Hose</b> , from diverter valve to servo fitting on intake manifold	1
BJ22	145892	<b>Clip</b> , fir tree	2
BJ23	145891	<b>Clip</b> , fir tree	2
BJ24	TKC2159	<b>Air Manifold Assembly</b>	1
BJ25	UKC5087	<b>Tube</b> , air injection	6

Plate No.	Part No.	Description	No. Off
-----------	----------	-------------	---------

# PLATE BK

AUTO-IGNITION VACUUM DETAILS,  
CARB MODELS, 1969

# TRIUMPH TR6



# AUTO-IGNITION VACUUM DETAILS—CARB MODELS, 1969

Plate No.	Part No.	Description	No. Off
		<b>AUTO-IGNITION VACUUM DETAILS</b> , up to eng. no. CC50000	
BK1	148400	<b>Vacuum Control Valve Assembly</b>	1
		<b>HARDWARE</b> , securing vacuum control valve to linkage bracket	
BK2	HU503	<b>Screw</b> , set	2
BK3	WP5	<b>Washer</b> , plain	2
BK4	WL205	<b>Washer</b> , lock	2
BK5	HN2005	<b>Nut</b>	2
BK6	149362	<b>Banjo Connection</b> (Other details of banjo fitting are listed in Section AS.)	1
BK7	149312	<b>Pipe Assembly</b> , from banjo connection to rear carb	1
BK8	149381	<b>Connector</b> , pipe to bypass valve on rear carb	1
BK9	149311	<b>Pipe Assembly</b> , from banjo connection to front carb and vacuum control valve	1
BK10	149381	<b>Connector</b> , pipe to bypass valve on front carb	1
BK11	128262	<b>Connector</b> , pipe to vacuum control valve	1
BK12	149380	<b>Connector</b> , vacuum control valve to suction pipe	1
BK13	149387	<b>Pipe</b> , suction, from vacuum valve to distributor vacuum retard unit	1
BK14	128262	<b>Connector</b> , pipe to distributor vacuum retard unit	1
BK15	128262	<b>Connector</b> , pipe to vacuum fitting on top of front carb	1
BK16	305452	<b>Pipe</b> , suction, from front carb to distributor vacuum advance unit	1
BK17	128262	<b>Connector</b> , pipe to distributor vacuum advance unit	1
BK18	138892	<b>Clip</b> , securing suction pipes to fuel line	2
BK19	145890	<b>Clip</b> , fir tree, securing suction pipe to brake servo hose	3

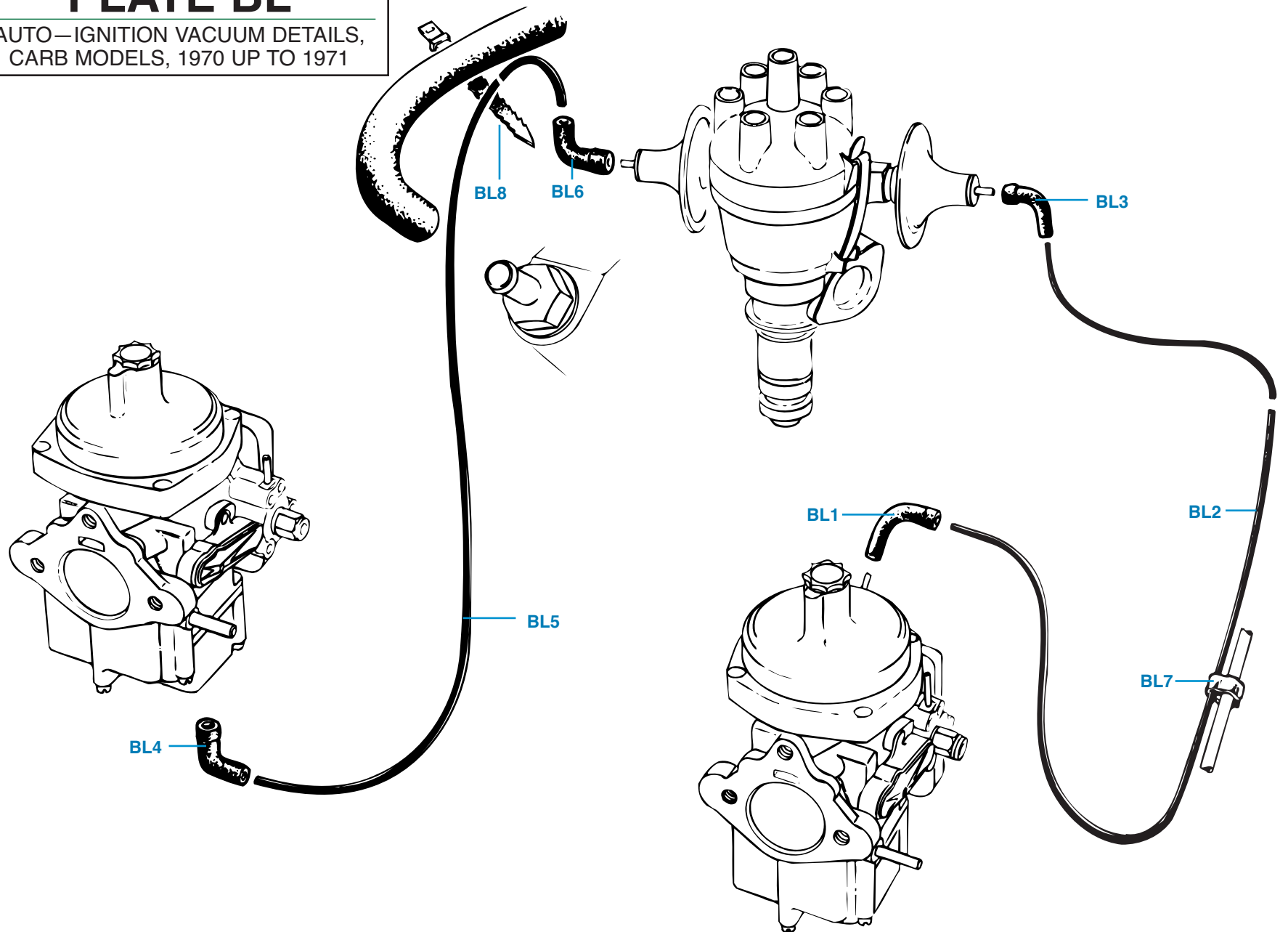
Plate No.	Part No.	Description	No. Off
-----------	----------	-------------	---------



# PLATE BL

AUTO—IGNITION VACUUM DETAILS,  
CARB MODELS, 1970 UP TO 1971

# TRIUMPH TR6



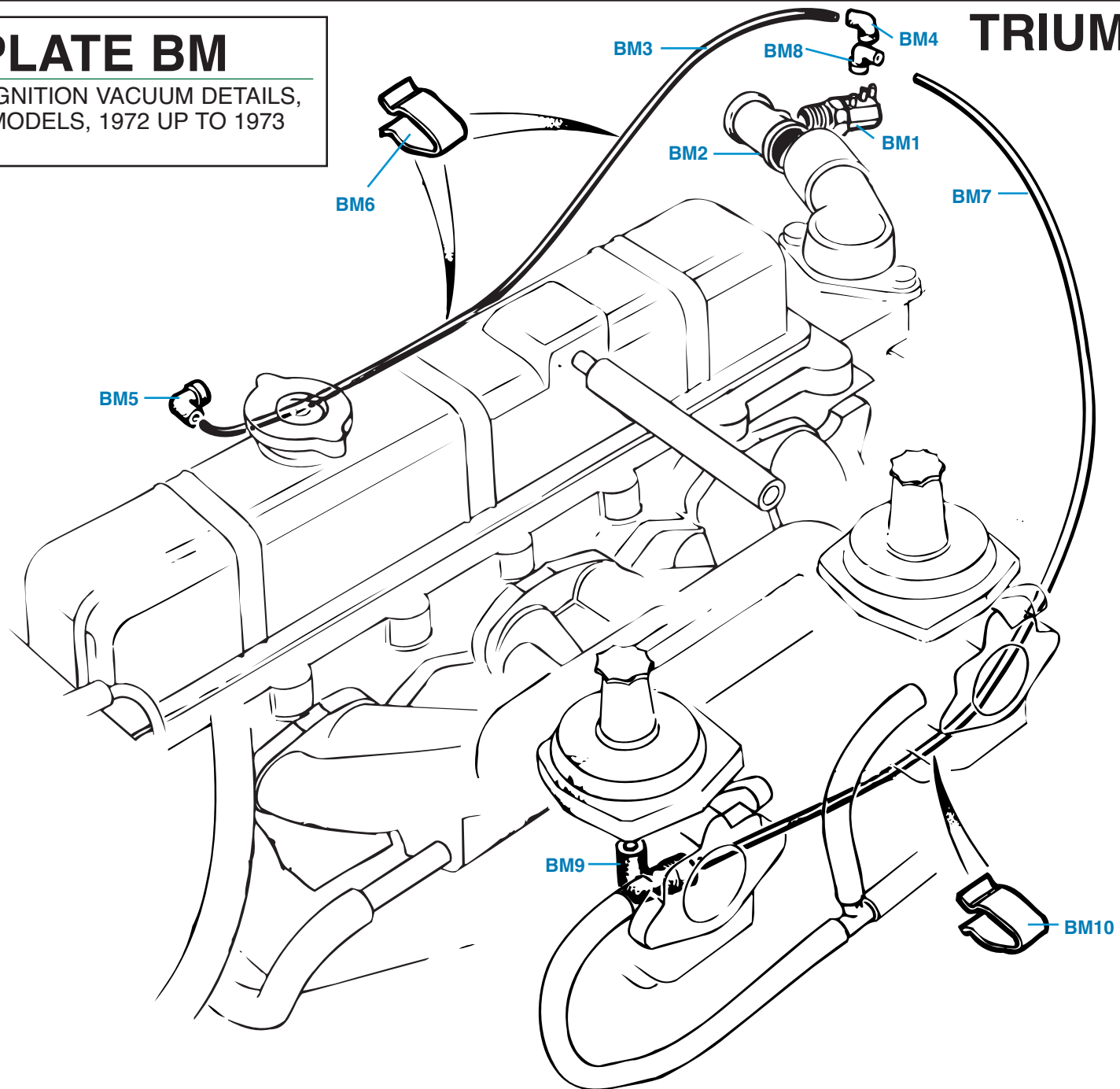
# AUTO—IGNITION VACUUM DETAILS—CARB MODELS, 1970 UP TO 1971

Plate No.	Part No.	Description	No. Off	Plate No.	Part No.	Description	No. Off
		<b>AUTO-IGNITION VACUUM DETAILS</b> , from eng. no. CC50000 up to CC58298 approx.					
BL1	128262	<b>Connector</b> , suction pipe to vacuum fitting on top of front carb	1				
BL2	149387	<b>Pipe</b> , suction, from front carb to distributor vacuum advance unit	1				
BL3	128262	<b>Connector</b> , suction pipe to distributor vacuum advance unit	1				
BL4	152184	<b>Connector</b> , suction pipe to vacuum fitting underneath rear carb	1				
BL5	305452	<b>Pipe</b> , suction, from rear carb to distributor vacuum retard unit	1				
BL6	128262	<b>Connector</b> , suction pipe to distributor vacuum retard unit	1				
BL7	138892	<b>Clip</b> , suction pipe to fuel line	A/R				
BL8	145890	<b>Clip</b> , fir tree, suction pipe to brake servo hose	A/R				
		<b>AUTO-IGNITION VACUUM DETAILS</b> , from eng. no. CC58298 approx. up to CC75000					
	152184	<b>Connector</b> , suction pipe to vacuum fitting underneath rear carb	1				
	151103	<b>Pipe</b> , suction, from rear carburettor to distributor vacuum retard unit	1				
	128262	<b>Connector</b> , suction pipe to distributor vacuum retard unit	1				
	145890	<b>Clip</b> , fir tree, suction pipe to brake servo hose	3				

# PLATE BM

AUTO—IGNITION VACUUM DETAILS,  
CARB MODELS, 1972 UP TO 1973

# TRIUMPH TR6



# AUTO-IGNITION VACUUM DETAILS—CARB MODELS, 1972 UP TO 1973

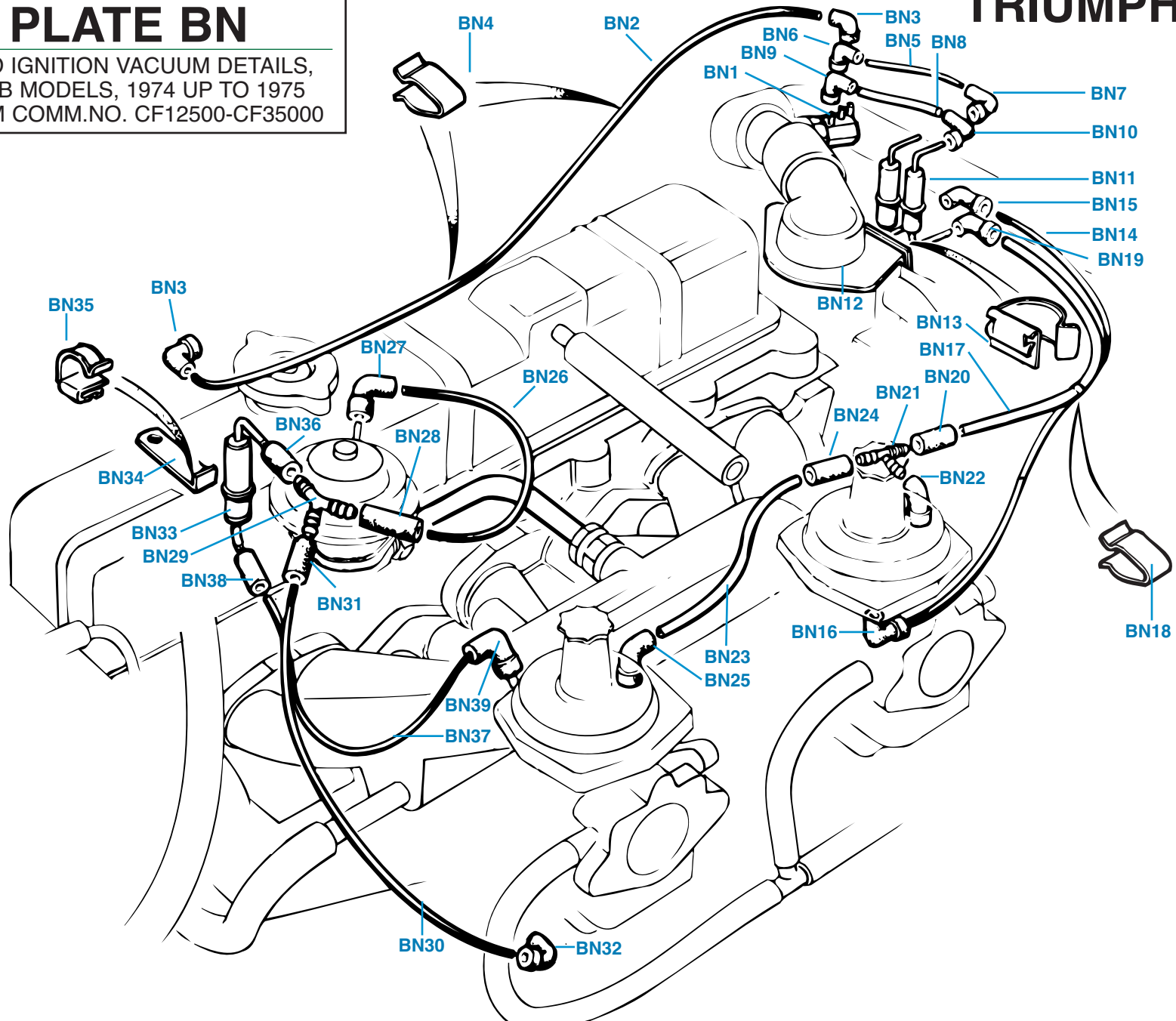
Plate No.	Part No.	Description	No. Off
		<b>AUTO-IGNITION VACUUM DETAILS</b> , from eng. no. CC75000 up to CF12500	
BM1	90/611428	<b>Thermostatic Vacuum Switch</b>	1
BM2	158308	<b>Adaptor</b> , thermostatic vacuum switch to radiator hoses (See Sections CC and CD for further details.)	1
BM3	151102	<b>Pipe</b> , suction, from thermostatic vacuum switch "D" fitting to distributor vacuum retard unit	1
BM4	128262	<b>Connector</b> , suction pipe to "D" fitting on thermostatic vacuum switch	1
BM5	128262	<b>Connector</b> , suction pipe to distributor vacuum retard unit	1
BM6	138892	<b>Clip</b> , suction pipe to fuel line	2
BM7	151104	<b>Pipe</b> , suction, from thermostatic vacuum switch "C" fitting to vacuum fitting underneath rear carb	1
BM8	128262	<b>Connector</b> , suction pipe to "C" fitting on thermostatic vacuum switch	1
BM9	152184	<b>Connector</b> , suction pipe to vacuum fitting underneath rear carb	1
BM10	138892	<b>Clip</b> , suction pipe to fuel line under front carb <b>Please Note:</b> The "MT" fitting on the thermostatic vacuum switch appears to be left empty on this range of cars; see drawing on page 43 of 1973 owner's handbook.	1

Plate No.	Part No.	Description	No. Off
-----------	----------	-------------	---------

# PLATE BN

AUTO IGNITION VACUUM DETAILS,  
CARB MODELS, 1974 UP TO 1975  
(FROM COMM.NO. CF12500-CF35000)

# TRIUMPH TR6



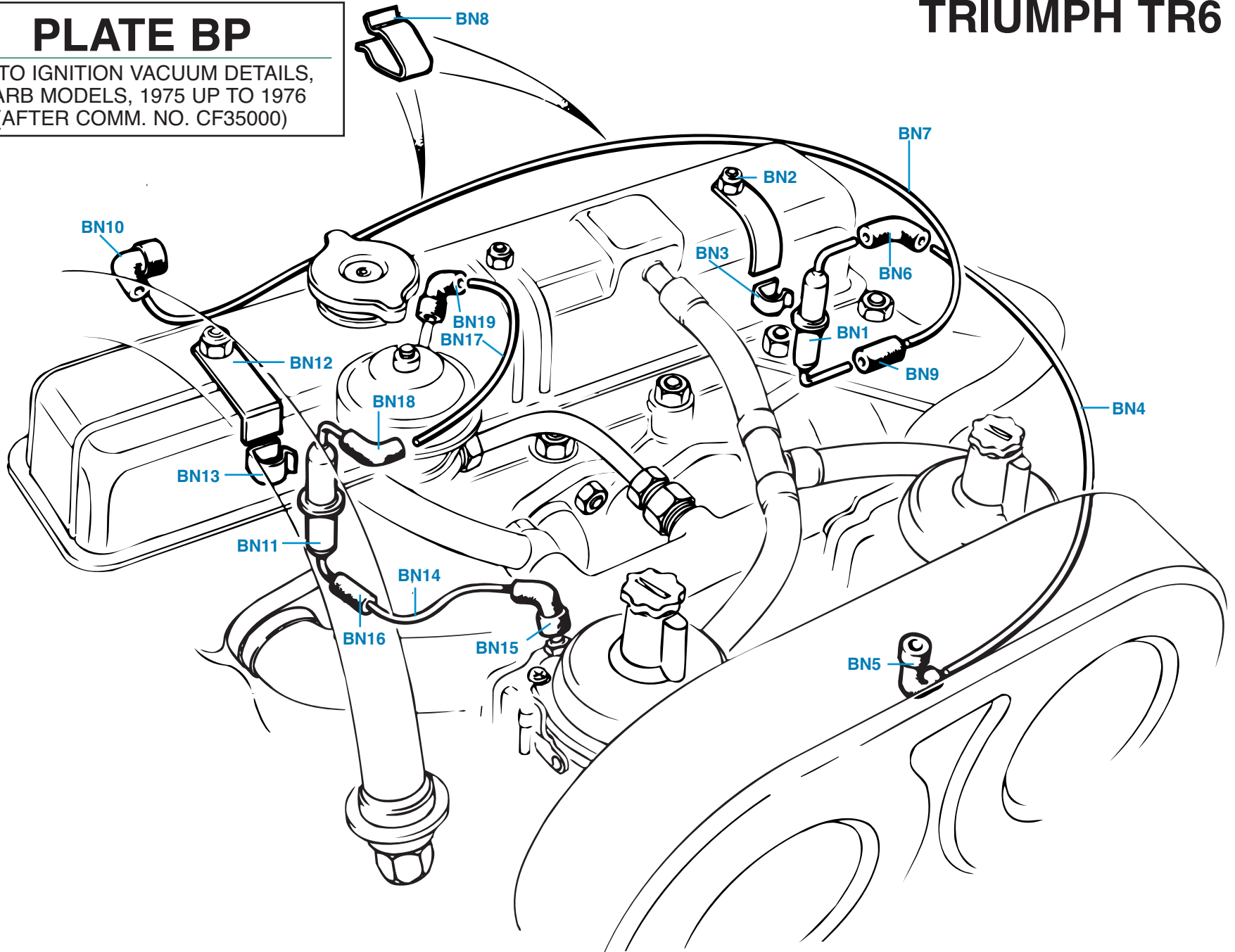
## AUTO-IGNITION VACUUM DETAILS—CARB MODELS, 1974 UP TO 1975 (FROM COMM. NO. CF12500-CF35000)

Plate No.	Part No.	Description	No. Off	Plate No.	Part No.	Description	No. Off
	RFK349	<b>AUTO IGNITION VACUUM PIPES AND FITTINGS KIT,</b> comprising everything listed below	1			<b>AUTO IGNITION VACUUM PIPES AND FITTINGS</b> <b>KIT-Continued</b>	
BN1	37430	<b>Switch,</b> thermostatic vacuum	1	BN36	131211	<b>Fitting,</b> rubber, connecting fuel trap to Y-fitting	1
BN2	151103	<b>Tube,</b> suction, from thermostatic vacuum switch to distributor vacuum retard unit	1	BN37	UKC2109	<b>Tube,</b> suction, from fuel trap to rear carburettor	1
BN3	128262	<b>Fitting,</b> rubber, connecting suction tube to thermostatic vacuum switch and to vacuum retard unit	2	BN38	156608	<b>Fitting,</b> rubber, connecting suction tube to fuel trap	1
BN4	138892	<b>Clip,</b> anchoring suction tube to fuel pipe	2	BN39	152184	<b>Fitting,</b> rubber, connecting suction tube to rear carburettor	1
BN5	UKC2115	<b>Tube,</b> suction, from thermostatic vacuum switch to fuel trap	1				
BN6	128262	<b>Fitting,</b> rubber, connecting tube to thermostatic vacuum switch	1				
BN7	149380	<b>Fitting,</b> rubber, connecting tube to fuel trap	1				
BN8	215921	<b>Tube,</b> suction, thermostatic vacuum switch to fuel trap	1				
BN9	UKC2188	<b>Fitting,</b> rubber, connecting tube to thermostatic vacuum switch	1				
BN10	152184	<b>Fitting,</b> rubber, connecting tube to fuel trap	1				
BN11	156607	<b>Fuel Trap Assembly</b>	2				
BN12	UKC2186	<b>Bracket,</b> mounting, fuel traps	1				
BN13	156712	<b>Clip,</b> securing fuel traps to bracket	2				
BN14	151107	<b>Tube,</b> suction, from fuel trap to fitting under front carburettor	1				
BN15	149380	<b>Fitting,</b> rubber, connecting tube to fuel trap	1				
BN16	152184	<b>Fitting,</b> rubber, connecting tube to front carburettor	1				
BN17	215934	<b>Tube,</b> suction, from fuel trap to T-fitting at top of front carburettor	1				
BN18	138892	<b>Clip,</b> anchoring suction tubes	1				
BN19	152184	<b>Fitting,</b> rubber, connecting suction tube to fuel trap	1				
BN20	UKC1905	<b>Fitting,</b> rubber, connecting suction tube to T-fitting	1				
BN21	UKC2130	<b>T-Fitting</b>	1				
BN22	128262	<b>Fitting,</b> rubber, connecting T-fitting to front carburettor	1				
BN23	215936	<b>Tube,</b> suction, from T-fitting to rear carburettor	1				
BN24	UKC1905	<b>Fitting,</b> rubber, connecting suction tube to T-fitting	1				
BN25	152184	<b>Fitting,</b> rubber, connecting suction tube to rear carburettor	1				
BN26	UKC2115	<b>Tube,</b> suction, from E.G.R. valve to Y-fitting	1				
BN27	152184	<b>Fitting,</b> rubber, connecting suction tube to E.G.R. valve	1				
BN28	131211	<b>Fitting,</b> rubber, connecting suction tube to Y-fitting	1				
BN29	UKC2668	<b>Y-Fitting</b>	1				
BN30	UKC2615	<b>Tube,</b> suction, from Y-fitting to fitting under rear carburettor	1				
BN31	117400	<b>Fitting,</b> rubber, connecting suction tube to Y-fitting	1				
BN32	128262	<b>Fitting,</b> rubber, connecting suction tube to rear carburettor	1				
BN33	156607	<b>Fuel Trap Assembly</b>	1				
BN34	UKC2187	<b>Bracket,</b> mounting fuel trap to valve cover Stud	1				
BN35	156712	<b>Clip,</b> securing fuel trap to bracket	1				

# PLATE BP

AUTO IGNITION VACUUM DETAILS,  
CARB MODELS, 1975 UP TO 1976  
(AFTER COMM. NO. CF35000)

# TRIUMPH TR6



## AUTO-IGNITION VACUUM DETAILS—CARB MODELS, 1975 UP TO 1976 (AFTER COMM.NO. CF35000)

Plate No.	Part No.	Description	No. Off	Plate No.	Part No.	Description	No. Off
	RFK348	<b>AUTO IGNITION VACUUM PIPES AND FITTINGS KIT,</b> comprising everything listed below	1				
BP1	156607	<b>Fuel Trap Assembly,</b> front	1				
BP2	UKC5474	<b>Bracket,</b> mounting fuel trap to front valve cover fixing stud	1				
BP3	156712	<b>Clip,</b> securing fuel trap to bracket	1				
BP4	UKC2111	<b>Tube,</b> suction, from front carburettor to fuel trap	1				
BP5	152184	<b>Fitting,</b> rubber, connecting tube to front carburettor	1				
BP6	149380	<b>Fitting,</b> rubber, connecting tube to fuel trap	1				
BP7	UKC2114	<b>Tube,</b> suction, from fuel trap to distributor vacuum retard unit	1				
BP8	138892	<b>Clip,</b> anchoring tube to fuel pipe	2				
BP9	156608	<b>Fitting,</b> rubber, connecting tube to fuel trap	1				
BP10	128262	<b>Fitting,</b> rubber, connecting tube to vacuum retard unit	1				
BP11	156607	<b>Fuel Trap Assembly,</b> rear	1				
BP12	UKC2187	<b>Bracket,</b> mounting fuel trap to rear valve cover fixing stud	1				
BP13	156712	<b>Clip,</b> securing fuel trap to bracket	1				
BP14	UKC2118	<b>Tube,</b> suction, from rear carburettor to fuel trap	1				
BP15	154184	<b>Fitting,</b> rubber, connecting tube to rear carburettor	1				
BP16	156608	<b>Fitting,</b> rubber, connecting tube to fuel trap	1				
BP17	151105	<b>Tube,</b> suction, from fuel trap to E.G.R. valve	1				
BP18	149380	<b>Fitting,</b> rubber, connecting tube to fuel trap	1				
BP19	152184	<b>Fitting,</b> rubber, connecting tube to E.G.R. valve	1				