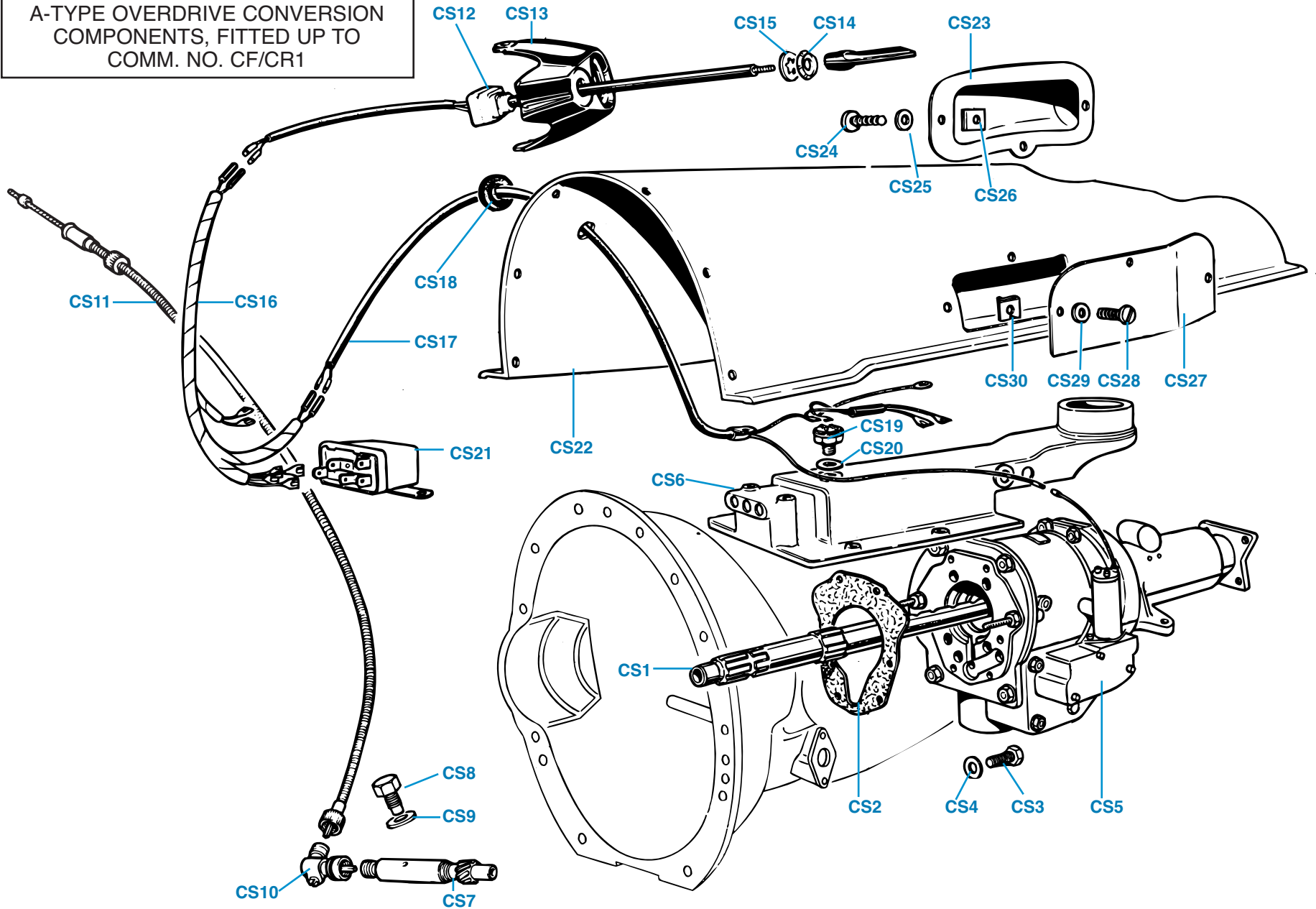


PLATE CS

A-TYPE OVERDRIVE CONVERSION
COMPONENTS, FITTED UP TO
COMM. NO. CF/CR1

TRIUMPH TR6



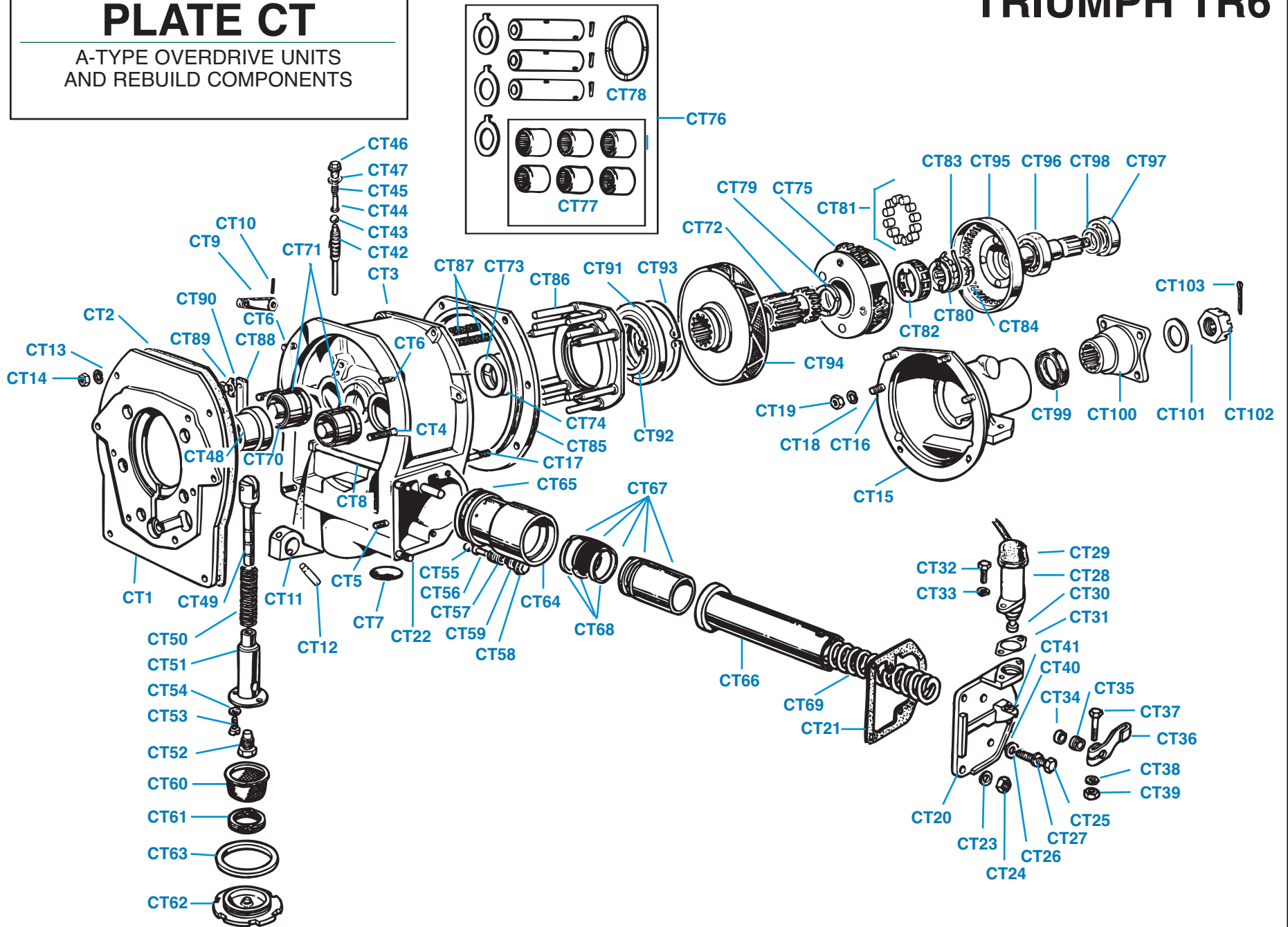
A-TYPE CONVERSION COMPONENTS, FITTED UP TO COMM. NO. CF/CR1

| Plate No. | Part No. | Description | No. Off | Plate No. | Part No. | Description | No. Off |
|---------------------------|----------|--|---------|------------------------------|----------|--|---------|
| MAINSHAFTS | | | | GEARBOX COVER DETAILS | | | |
| CS1 | 208052 | Mainshaft , gearbox, fitted up to gearbox no. CD20281 | 1 | CS22 | FGP10 | Gearbox Cover , replacement, black moulded plastic for a perfect fit | 1 |
| | 216245 | Mainshaft , gearbox, fitted from gearbox no. CD20282 up to CD21768 | 1 | | GCS6 | Seal Set , gearbox installation | 1 |
| | 216868 | Mainshaft , gearbox, fitted after gearbox no. CD21768 | 1 | | RFK157 | Hardware Kit , gearbox installation, including all required screws, washers, plates and nuts. | 1 |
| CS2 | 132465 | ADAPTOR PLATE DETAILS (See Section CT.) Gasket , between adaptor plate and gearbox housing | 1 | CS23 | 809271 | Plate , access, speedometer cable | 1 |
| | | HARDWARE AND FITTINGS , securing adaptor plate to gearbox housing | | CS24 | YX5405 | HARDWARE , securing plate to gearbox | |
| CS3 | WX4857 | Bolt , wedglok | 6 | CS25 | WP4 | Screw , self-tapping | 3 |
| CS4 | WP107 | Washer , plain | 6 | CS26 | FU2569/4 | Washer , plain | 3 |
| CS5 | | OVERDRIVE UNITS (See Section CT.) | | CS27 | 705851 | Nut , fix | 3 |
| CS6 | | GEARBOX TOP COVER DETAILS (See Sections CK and CL.) SPEEDOMETER DRIVE DETAILS | | | | Plate , access, solenoid | 1 |
| CS7 | 147964 | Speedometer Driven Gear and Bearing Assembly | 1 | CS28 | YX5404 | HARDWARE , securing plate to gearbox cover | |
| CS8 | 506071 | Screw , set, securing speedometer bearing to overdrive housing | 1 | CS29 | WP4 | Screw , self-tapping | 3 |
| CS9 | 506108 | Washer , copper, sealing screw | 1 | CS30 | FU2578/4 | Washer , plain | 3 |
| CS10 | 120694 | Angle Drive Assembly , speedometer cable | 1 | | | Nut , fix | 3 |
| CS11 | 516545 | Speedometer Cable Assembly | 1 | | | | |
| ELECTRICAL DETAILS | | | | | | | |
| CS12 | 147281 | Switch , overdrive, L.H.S. | 1 | | | | |
| | 147280 | Switch , overdrive, R.H.S. | 1 | | | | |
| CS13 | 611974 | Escutcheon , overdrive and turn signal switch, fitted to steering column | 1 | | | | |
| CS14 | 609792 | Bezel , overdrive switch | 1 | | | | |
| CS15 | WN712 | Washer , shakeproof, securing bezel | 1 | | | | |
| CS16 | 148696 | Wiring Harness , upper | 1 | | | | |
| CS17 | 131339 | Wiring Harness , lower | 1 | | | | |
| CS18 | 612715 | Grommet , around wiring harness, sealing hole in gearbox cover | 1 | | | | |
| CS19 | 127380 | Switch , interrupter | 2 | | | | |
| CS20 | 502146 | Washer , switch adjusting | A/R | | | | |
| CS21 | 126792 | Relay , overdrive | 1 | | | | |
| | | HARDWARE , mounting relay, fitted up to comm. no. CC/CP50000 (Use hazard warning relay fittings; see Section EP.) | | | | | |
| | | HARDWARE , mounting relay, fitted after comm. no. CC/CP50000 | | | | | |
| | 509141 | Screw , set | 2 | | | | |
| | WP5 | Washer , plain | 4 | | | | |
| | WL205 | Washer , lock | 2 | | | | |
| | 503627 | Nut | 2 | | | | |

PLATE CT

A-TYPE OVERDRIVE UNITS
AND REBUILD COMPONENTS

TRIUMPH TR6



A-TYPE OVERDRIVE CONVERSION COMPONENTS, FITTED UP TO COMM.NO. CF/CR1

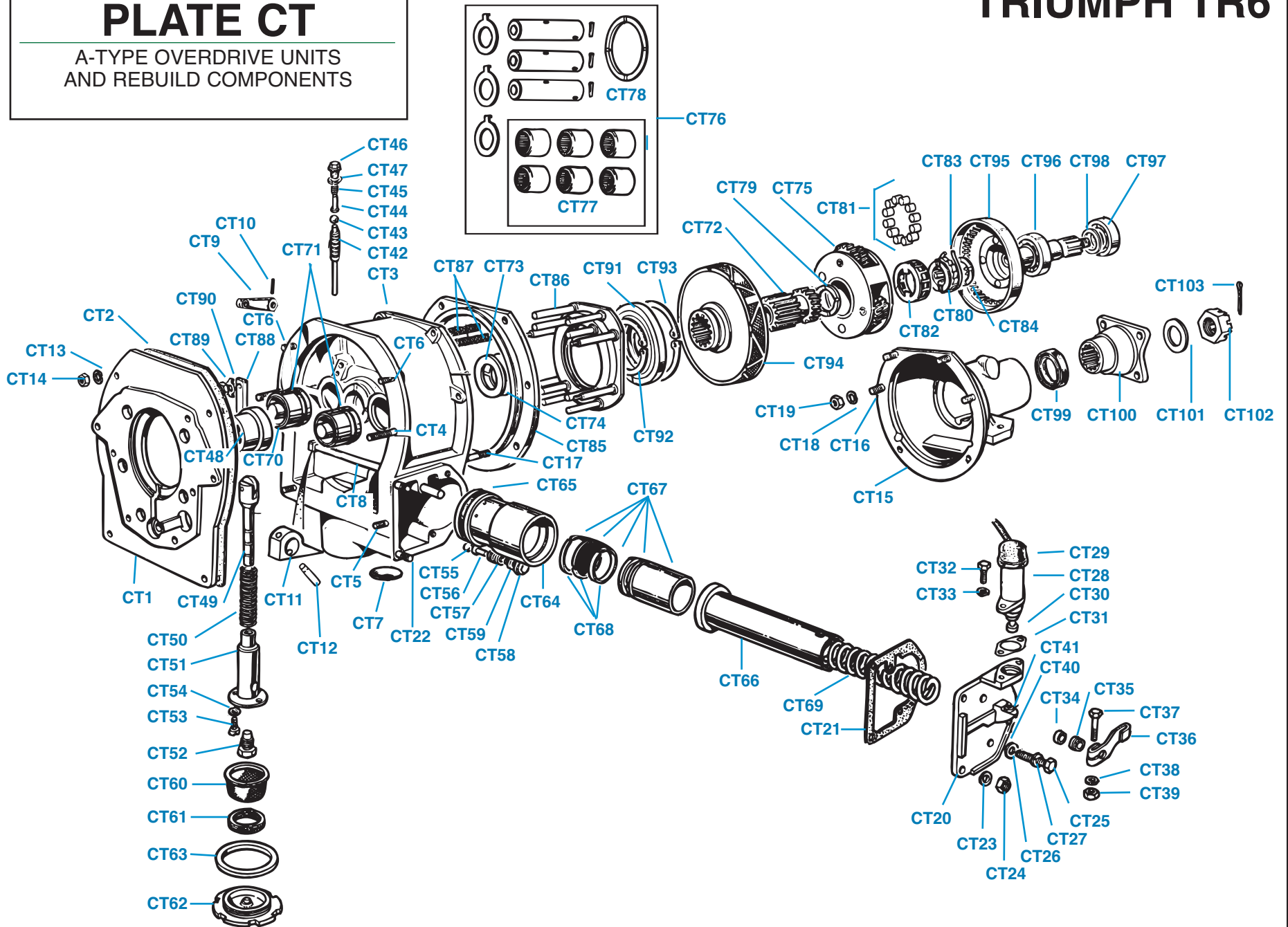
| Plate No. | Part No. | Description | No. Off | Plate No. | Part No. | Description | No. Off |
|-----------|----------|---|---------|-----------|----------|--|---------|
| | 307603 | OVERDRIVE UNIT , Laycock Type A, fitted up to mid-1969 | 1 | | | OVERDRIVE UNIT-Continued | |
| | 309159 | OVERDRIVE UNIT , Laycock Type A, serial nos. --/61753---, fitted from mid-1969 up to mid-1971 | 1 | | | OVERDRIVE HOUSING DETAILS-Continued | |
| | 312373 | OVERDRIVE UNIT , Laycock Type A, serial nos. --/61985---, fitted from mid-1971 up to comm. no. CF1 | 1 | | | HARDWARE , securing bracket assembly to main body housing | |
| | 307603R | FACTORY REBUILT OVERDRIVE UNIT , Laycock Type A | 1 | CT22 | 500577 | Stud | 2 |
| | | OVERDRIVE HOUSING DETAILS | | CT23 | WL208 | Washer , lock | 2 |
| CT1 | 208098 | Plate , adaptor, overdrive unit to gearbox, fitted up to mid-1969 | 1 | CT24 | HN2008 | Nut | 2 |
| | 500654 | Plate , adaptor, overdrive unit to gearbox, fitted after mid-1969 | 1 | CT25 | 103268 | Screw , set | 2 |
| CT2 | 502556 | Gasket , between adaptor plate and main body housing | 1 | CT26 | WP8 | Washer , plain | 2 |
| CT3 | 503159 | MAIN BODY HOUSING , for overdrives with 61753 serial numbers | 1 | CT27 | WL208 | Washer , lock | 2 |
| | 520679 | MAIN BODY HOUSING , for overdrives with 61985 serial numbers | 1 | CT28 | 112946 | SOLENOID DETAILS | |
| CT4 | 500576 | Stud , 2 5/8 inch length | 2 | CT29 | 109521 | SOLENOID ASSEMBLY | 1 |
| CT5 | 500666 | Stud , 1 inch length | 1 | CT30 | 105921 | Cover , rubber, solenoid | 1 |
| CT6 | 500578 | Stud , 1 1/4 inch length | 3 | CT31 | 513201 | Boot , solenoid plunger | 1 |
| CT7 | 500570 | Plug , welch, in housing | 1 | | | Gasket , between solenoid and solenoid bracket | 1 |
| CT8 | 513908 | Shaft , valve operating | 1 | CT32 | 513226 | HARDWARE , securing solenoid to bracket | |
| CT9 | 513909 | Lever , setting, on shaft | 1 | | | Screw | 2 |
| CT10 | 513888 | Dowel , spring, securing lever to shaft | 1 | CT33 | 513903 | Washer , lock | 2 |
| CT11 | 513910 | Cam , on shaft | 1 | CT34 | 500594 | Seal , valve operating shaft | 2 |
| CT12 | 500593 | Pin , taper, securing cam to shaft | 1 | CT35 | 502657 | Collar , valve operating shaft | 1 |
| | | HARDWARE , securing main body housing to adaptor plate | 1 | CT36 | 502568 | Lever , solenoid | 1 |
| CT13 | WL208 | Washer , lock | 6 | | | HARDWARE , securing solenoid lever to valve operating shaft | |
| CT14 | HN2008 | Nut | 6 | CT37 | 503163 | Bolt , clamping | 1 |
| CT15 | 500655 | REAR HOUSING ASSEMBLY | 1 | CT38 | 505550 | Washer , plain | 1 |
| CT16 | 500756 | Stud | 4 | CT39 | 503164 | Nut | 1 |
| CT17 | 500759 | Stud | 2 | CT40 | 513918 | Screw , adjusting, solenoid | 1 |
| | | HARDWARE , securing rear housing to main body housing | | CT41 | 513919 | Nut , locking adjusting screw | 1 |
| CT18 | WL208 | Washer , lock | 6 | CT42 | 500658 | OPERATING VALVE DETAILS | |
| CT19 | HN2008 | Nut | 6 | CT43 | BL20 | Valve , operating | 1 |
| | | HARDWARE , securing speedometer drive bearing to rear housing | | CT44 | 500591 | Ball , steel, 5/16 inch diameter | 1 |
| | 506071 | Screw , set | 1 | CT45 | 506070 | Plunger | 1 |
| | 506108 | Washer , copper | 1 | CT46 | 506117 | Spring | 1 |
| CT20 | 502566 | Bracket Assembly , solenoid | 1 | CT47 | 500568 | Plug | 1 |
| CT21 | 500645 | Gasket , between bracket and main body housing | 1 | | | Washer , sealing plug | 1 |

(Continued on next page.)

PLATE CT

A-TYPE OVERDRIVE UNITS
AND REBUILD COMPONENTS

TRIUMPH TR6



A-TYPE OVERDRIVE AND REBUILD COMPONENTS

| Plate No. | Part No. | Description | No. Off |
|---------------------------------|----------|--|---------|
| OVERDRIVE UNIT—Continued | | | |
| OIL PUMP DETAILS | | | |
| CT48 | 500627 | Cam , operating oil pump | 1 |
| CT49 | 513891 | Plunger Assembly | 1 |
| CT50 | 500633 | Spring , pump plunger | 1 |
| | 500581 | Peg , guide, pump plunger | 1 |
| CT51 | 505507 | Body , oil pump | 1 |
| CT52 | 513902 | Plug , in pump body | 1 |
| | | HARDWARE , securing oil pump to main body housing | |
| CT53 | 513225 | Screw | 2 |
| CT54 | 513903 | Washer , lock | 2 |
| PUMP VALVE DETAILS | | | |
| CT55 | BL16 | Ball , steel, 1/4 inch diameter | 1 |
| CT56 | 500591 | Plunger | 1 |
| CT57 | 506070 | Spring | 1 |
| CT58 | 506117 | Plug | 1 |
| CT59 | 500568 | Washer , sealing plug | 1 |
| OIL FILTER DETAILS | | | |
| CT60 | 509884 | Filter , oil, for overdrives with 61753 serial numbers | 1 |
| | 516010 | Filter , oil, for overdrives with 61985 serial numbers | 1 |
| CT61 | 513205 | Magnet , oil filter | 1 |
| CT62 | 513904 | Cap , oil drain | 1 |
| CT63 | 500641 | Gasket , oil drain cap | 1 |
| ACCUMULATOR DETAILS | | | |
| HOUSING ASSEMBLY | | | |
| CT64 | 501908 | "O" Ring | 1 |
| CT65 | 501910 | Spacing Tube and Washer Assembly | 1 |
| PISTON ASSEMBLY | | | |
| CT67 | 501909 | Ring Set | 1 |
| CT68 | 505555 | Spring , pressure, fitted up to mid-1969; up to gearbox no. CD15651 | 1 |
| CT69 | 515131 | Spring , pressure, fitted after mid-1969; after gearbox no. CD15651 | 1 |
| | 518601 | Washer , spring packing, to increase pressure | A/R |
| | 513900 | Breather | 1 |
| | 502560 | OPERATING PISTON ASSEMBLY | 2 |
| CT70 | 513890 | "O" Ring | 2 |
| CT71 | 513912 | "O" Ring | 2 |

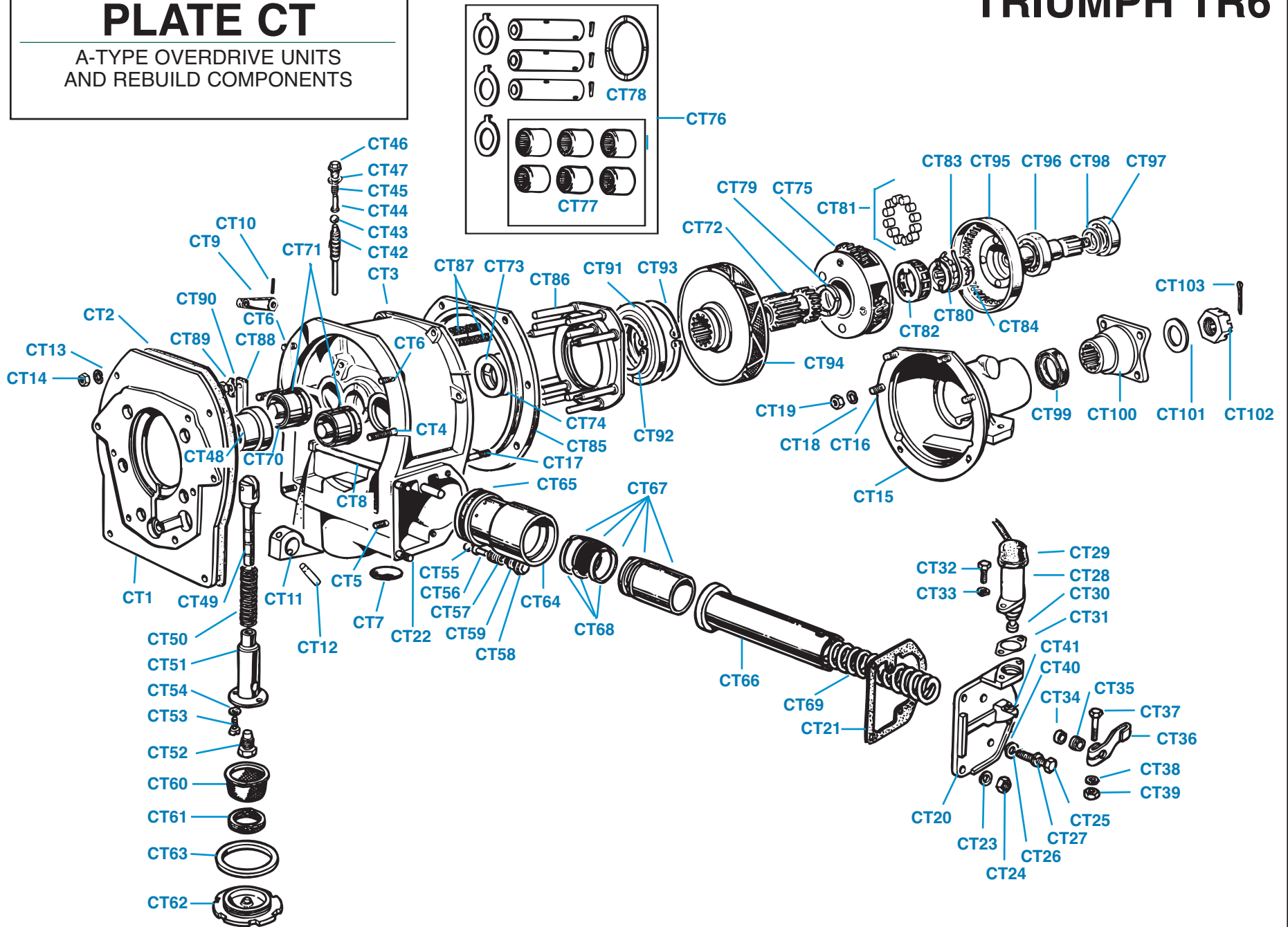
| Plate No. | Part No. | Description | No. Off |
|---|----------|---|---------|
| OVERDRIVE UNIT—Continued | | | |
| SUNWHEEL AND PLANET CARRIER DETAILS | | | |
| CT72 | 505549 | Sunwheel Assembly | 1 |
| | | WASHERS , adjusting sunwheel clearance | |
| CT73 | 500588/A | Washer , .113-.114 inch thickness | A/R |
| | 500588/B | Washer , .107-.108 inch thickness | A/R |
| | 500588/C | Washer , .101-.102 inch thickness | A/R |
| | 500588/D | Washer , .095-.096 inch thickness | A/R |
| | 500588/E | Washer , .089-.090 inch thickness | A/R |
| | 500588/F | Washer , .083-.084 inch thickness | A/R |
| | 500588/G | Washer , .077-.078 inch thickness | A/R |
| CT74 | 500610 | Washer , thrust, sun wheel | 1 |
| CT75 | 505545 | PLANET CARRIER ASSEMBLY , fitted up to mid-1969; up to gearbox no. CD15651 | 1 |
| | 518600 | PLANET CARRIER ASSEMBLY , fitted after mid-1969, after gearbox no. CD15651 | 1 |
| CT76 | 518106 | BEARING, SHAFT, AND THRUST WASHER SET , planet carrier | 1 |
| CT77 | 513224 | Bearing Set | 6 |
| CT78 | 513914 | Washer , thrust | 3 |
| CT79 | 500611 | Washer , thrust | 1 |
| UNI-DIRECTIONAL CLUTCH | | | |
| CT80 | 502558 | Inner Member | 1 |
| CT81 | 502550 | Roller Set | 1 |
| CT82 | 502559 | Cage , roller, fitted up to mid-1969; up to gearbox no. CD15651 | 1 |
| | 518110 | Cage , roller, fitted after mid-1969, after gearbox no. CD15651 | 1 |
| CT83 | 500630 | Spring , clutch | 1 |
| CT84 | 500613 | Washer , thrust | 1 |
| BRAKE RING AND CLUTCH SLIDING MEMBER DETAILS | | | |
| CT85 | 502555 | Ring , clutch, brake | 1 |
| CT86 | 500660 | Clutch Thrust Ring Assembly , with pins | 1 |
| CT87 | 502554 | Clutch Spring Set | 1 |
| CT88 | 500587 | Bridge Piece | 2 |
| CT89 | HN2007 | Nut | 4 |
| CT90 | 500642 | Washer , tab, locking nuts | 4 |
| CT91 | 500640 | Bearing Assembly , clutch thrust ring | 1 |
| CT92 | 500636 | Circlip , small, locating bearing | 1 |
| CT93 | 500637 | Circlip , large, locating bearing | 1 |
| CT94 | 500661 | Clutch Assembly , sliding member, with linings, fitted up to gearbox no. CD15651 | 1 |
| | 518107 | Clutch Assembly , sliding member, with linings, fitted after gearbox no. CD15651 | 1 |

(Continued on next page.)

PLATE CT

A-TYPE OVERDRIVE UNITS
AND REBUILD COMPONENTS

TRIUMPH TR6



A-TYPE OVERDRIVE UNITS AND REBUILD COMPONENTS

| Plate No. | Part No. | Description | No. Off | Plate No. | Part No. | Description | No. Off |
|--|----------|--|---------|-----------|----------|-------------|---------|
| OVERDRIVE UNIT-Continued | | | | | | | |
| ANNULUS DETAILS | | | | | | | |
| CT95 | 500602 | Annulus | 1 | | | | |
| CT96 | SP74G | Bearing Assembly, front | 1 | | | | |
| CT97 | 513897 | Bearing Assembly, rear | 1 | | | | |
| WASHERS, adjusting, annulus end | | | | | | | |
| CT98 | 500623/E | Washer, .146 inch thickness | A/R | | | | |
| | 500623/F | Washer, .151 inch thickness | A/R | | | | |
| | 500623/G | Washer, .156 inch thickness | A/R | | | | |
| | 500623/H | Washer, .161 inch thickness | A/R | | | | |
| | 500623/J | Washer, .166 inch thickness | A/R | | | | |
| REAR FLANGE DETAILS | | | | | | | |
| CT99 | 513898 | Seal, oil, rear housing | 1 | | | | |
| CT100 | 58948 | Flange, mainshaft, rear, fitted up to mid-1969; up to gearbox no. CD15651 | 1 | | | | |
| | 518109 | Flange, mainshaft, rear, fitted after mid-1969; from gearbox no. CD15651 | 1 | | | | |
| HARDWARE, securing flange to annulus output shaft | | | | | | | |
| CT101 | WP24 | Washer, plain | 1 | | | | |
| CT102 | 57868 | Nut, slotted | 1 | | | | |
| CT103 | PC12 | Pin, cotter | 1 | | | | |

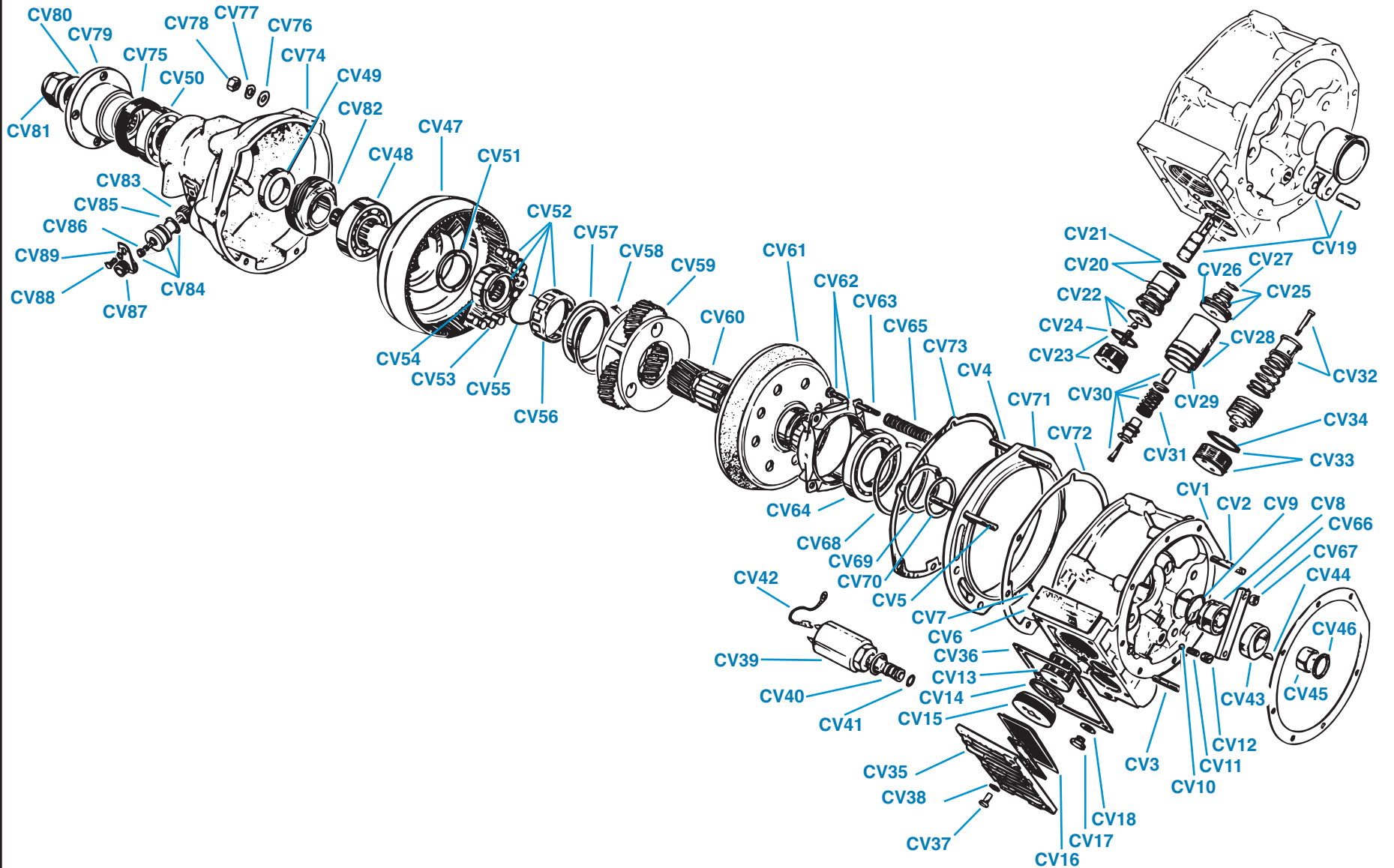
J-TYPE OVERDRIVE CONVERSION COMPONENTS, FITTED AFTER COMM. NO. CF/CR1

| Plate No. | Part No. | Description | No. Off | Plate No. | Part No. | Description | No. Off |
|--------------------------------|----------|---|---------|---|----------|---|---------|
| MAINSHAFTS | | | | HARDWARE , securing overdrive unit to rear engine mounting bracket | | | |
| CU1 | 218337 | Mainshaft , gearbox, fitted up to comm. no. CF12500/CR5000 | 1 | CU24 | 160219 | Stud | 2 |
| | TKC832 | Mainshaft , gearbox, fitted after comm. no. CF12500/CR5000 | 1 | CU25 | WL209 | Washer , lock | 2 |
| ADAPTOR HOUSING DETAILS | | | | CU26 | HN2009 | Nut | 2 |
| CU2 | 312305 | Adaptor Housing , overdrive unit to gearbox | 1 | GEARBOX COVER DETAILS | | | |
| CU3 | 132465 | Gasket , between adaptor housing and gearbox housing | 1 | CU27 | FGP10 | Gearbox Cover , replacement, black moulded plastic for a perfect fit | 1 |
| | | HARDWARE , securing adaptor housing to gearbox | | | GCS6 | Seal Set , rubber, gearbox cover | 1 |
| CU4 | HU858 | Screw , set | 6 | | RFK157 | Hardware Kit , gearbox installation, including all required screws, washers, plates and nuts | 1 |
| CU5 | WL208 | Washer , lock | 6 | CU28 | 809271 | Plate , access, speedometer cable | 1 |
| CU6 | 159369 | Gasket , between adaptor housing and overdrive unit | 1 | | | HARDWARE , securing plate to gearbox | |
| | | HARDWARE , securing overdrive unit to adaptor housing | | CU29 | YX5405 | Screw , self-tapping | 3 |
| CU7 | WL207 | Washer , lock | 8 | CU30 | WP4 | Washer , plain | 3 |
| CU8 | HN2007 | Nut | 8 | CU31 | FU2569/4 | Nut , fix | 3 |
| CU9 | | OVERDRIVE UNITS (See Section CV.) | | CU32 | 705851 | Plate , access, solenoid | 1 |
| CU10 | | GEARBOX TOP COVER DETAILS (See Sections CK and CL.) | | | | HARDWARE , securing plate to gearbox cover | |
| | | SPEEDOMETER DRIVE DETAILS | | CU33 | YX5404 | Screw , self-tapping | 3 |
| CU11 | | SPEEDOMETER DRIVEN GEAR AND BEARING DETAILS (See Section CV.) | | CU34 | WP4 | Washer , plain | 3 |
| CU12 | 120694 | Angle Drive , speedometer cable | 1 | CU35 | FU2578/4 | Nut , fix | 3 |
| CU13 | 504613 | Speedometer Cable Assembly , R.H.S. | 1 | | | | |
| | 516545 | Speedometer Cable Assembly , L.H.S., all models, except U.S.A. | 1 | | | | |
| | 516545 | Speedometer Cable Assembly , L.H.S., U.S.A. models, up to comm. no. CF35000 | 1 | | | | |
| | UKC5369 | Speedometer Cable Assembly , L.H.S., U.S.A. models, after comm. no. CF35000 (From angle drive to service counter.) | 1 | | | | |
| ELECTRICAL DETAILS | | | | | | | |
| CU14 | 147281 | Switch , overdrive, L.H.S. | 1 | | | | |
| | 147280 | Switch , overdrive, R.H.S. | 1 | | | | |
| CU15 | 611974 | Escutcheon , overdrive and turn signal switches fitted to steering column | 1 | | | | |
| CU16 | 609792 | Bezel , overdrive switch | 1 | | | | |
| CU17 | WN712 | Washer , shakeproof, securing bezel | 1 | | | | |
| CU18 | UKC345 | Wiring Harness , upper | 1 | | | | |
| CU19 | UKC344 | Wiring Harness , lower | 1 | | | | |
| CU20 | LUCWB300 | Connector , wiring, two-way | 4 | | | | |
| CU21 | UKC930 | Switch , interrupter and reversing lamps | 2 | | | | |
| CU22 | 502146 | Washer , adjusting switch clearance | A/R | | | | |
| CU23 | 612715 | Grommet , around wiring harness, sealing hole in gearbox cover | 1 | | | | |

PLATE CV

J-TYPE OVERDRIVE
REBUILD COMPONENTS

TRIUMPH TR6



J-TYPE OVERDRIVE UNITS AND REBUILD COMPONENTS

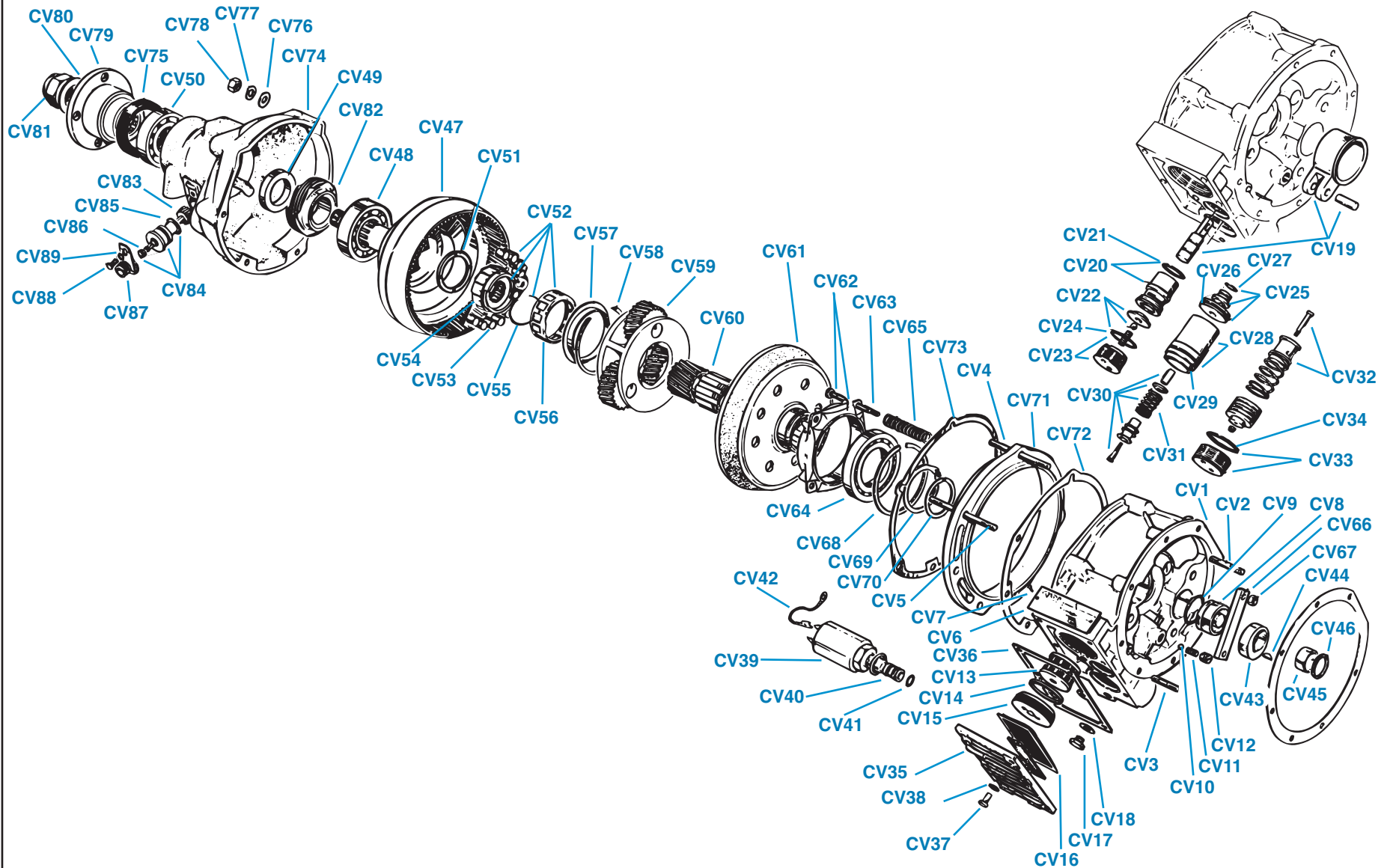
| Plate No. | Part No. | Description | No. Off | Plate No. | Part No. | Description | No. Off |
|-----------|-----------|---|---------|-----------|----------|---|---------|
| | | COMPLETE OVERDRIVE UNITS , without adaptor housings | | | | MAIN CASE DETAILS—Continued | |
| | 313242 | OVERDRIVE UNIT , Laycock Type J, fitted to all models except U.S. | 1 | | | FILTER, PUMP, RELIEF VALVE DETAILS—Continued | |
| | 313242 | OVERDRIVE UNIT , Laycock Type J, fitted to U.S. models up to comm. no. CF12500 | 1 | CV20 | NKC25 | PUMP BODY KIT | 1 |
| | RKC1971 | OVERDRIVE UNIT , Laycock Type J, fitted to U.S. models after comm. no. CF12500 | 1 | CV21 | NKC100 | “O” Ring | 1 |
| | LDNOD26/J | FACTORY REBUILT OVERDRIVE UNIT , Laycock Type J | 1 | CV22 | NKC29 | Non-Return Valve Kit | 1 |
| | | MAIN CASE DETAILS | | CV23 | NKC26 | PUMP PLUG KIT | 1 |
| CV1 | NKC19 | MAIN CASE SERVICE KIT , comprising main case and front and rear studs | 1 | CV24 | NKC101 | “O” Ring | 1 |
| | | FRONT STUDS | | CV25 | NKC30 | RELIEF VALVE BODY KIT | 1 |
| CV2 | NKC56 | Stud , 1 1/4-inch, all models except U.S.A. | 6 | CV26 | NKC92 | “O” Ring, relief valve | 1 |
| | NKC56 | Stud , 1 1/4-inch, U.S.A. models, up to comm. no. CF35000 | 6 | CV27 | NKC102 | “O” Ring | 1 |
| | RTC553 | Stud , 1 3/8-inch, U.S.A. models, after comm. no. CF35000 | 6 | CV28 | NKC14 | DASHPOT SLEEVE KIT | 1 |
| CV3 | NKC57 | Stud , 1-inch, all models except U.S.A. | 2 | CV29 | NKC92 | “O” Ring | 1 |
| | NKC57 | Stud , 1-inch, all models except U.S.A. models, up to comm. no. CF35000 | 2 | CV30 | NKC36 | RELIEF VALVE | 1 |
| | 37H1897 | Stud , 1-inch, U.S.A. models, up to comm. no. CF35000 | 2 | CV31 | NKC104 | Spring , residual | 1 |
| | | REAR STUDS | | CV32 | NKC15 | Dashpot Piston Kit | 1 |
| CV4 | NKC58 | Stud , 2 3/4-inch | 4 | CV33 | NKC13 | DASHPOT PLUG KIT | 1 |
| CV5 | NKC59 | Stud , 3 1/8-inch | 2 | CV34 | NKC91 | “O” Ring | 1 |
| CV6 | NKC74 | Nameplate , blue | 1 | | | SUMP COVER DETAILS | |
| CV7 | NKC98 | Screw , drive, securing nameplate | 1 | CV35 | NKC54 | Sump Kit | 1 |
| CV8 | NKC21 | Operating Piston | 1 | | | HARDWARE AND FITTINGS , securing sump cover | |
| CV9 | NKC99 | “O” Ring | 1 | CV36 | NKC76 | Gasket , sump | 1 |
| | | RELIEF VALVE DETAILS | | CV37 | NKC64 | Screw , set | 6 |
| CV10 | NKC95 | Ball , steel | 1 | CV38 | NKC110 | Washer , lock | 6 |
| CV11 | NKC94 | Spring | 1 | | | SOLENOID DETAILS | |
| CV12 | NKC93 | Plug , relief valve | 1 | CV39 | NKC41 | Solenoid Valve | 1 |
| | | FILTER, PUMP, RELIEF VALVE DETAILS | | CV40 | NKC108 | Washer , copper | 1 |
| CV13 | NKC23 | Filter , pressure | 1 | CV41 | NKC107 | “O” Ring | 1 |
| CV14 | NKC11 | Washer | 1 | CV42 | NKC67 | Wiring Lead , solenoid | 1 |
| CV15 | NKC24 | Plug | 1 | CV43 | 159505 | Cam | 1 |
| CV16 | NKC53 | Filter , suction | 1 | CV44 | KW316 | Key , Woodruff | 1 |
| CV17 | NKC97 | Plug | 1 | CV45 | 159503 | Clip , spring | 1 |
| CV18 | NKC96 | Washer , on plug | 1 | CV46 | 137308 | Ring , spring | 1 |
| CV19 | NKC28 | Pump , plunger kit | 1 | | | MECHANICAL DETAILS | |
| | | | | CV47 | NKC9 | Annulus | 1 |
| | | | | CV48 | SP74G | Bearing , annulus | 1 |
| | | | | CV49 | NKC78 | Spacer | 1 |
| | | | | CV50 | 513897 | Bearing , annulus, rear | 1 |
| | | | | CV51 | NKC79 | Washer , thrust | 1 |

(Continued on next page.)

PLATE CV

J-TYPE OVERDRIVE
REBUILD COMPONENTS

TRIUMPH TR6



J-TYPE OVERDRIVE UNITS AND REBUILD COMPONENTS

| Plate No. | Part No. | Description | No. Off | Plate No. | Part No. | Description | No. Off |
|-----------|----------|---|---------|-----------|----------|---|---------|
| | | MAIN CASE DETAILS—Continued | | | | MAIN CASE DETAILS—Continued | |
| | | MECHANICAL DETAILS—continued | | | | SPEEDOMETER DRIVE DETAILS | |
| CV52 | NKC17 | FREE WHEEL KIT | 1 | CV82 | NKC47 | Gear , speedometer driving, all models except U.S.A. | 1 |
| CV53 | 506063 | Ro , set of twelve | 1 | | NKC47 | Gear , speedometer driving, U.S.A. models, up to comm. no. CF35000 | 1 |
| CV54 | NKC16 | Free Wheel , inner | 1 | | AU1096 | Gear , speedometer driving, U.S.A. models, after comm. no. CF35000 | 1 |
| CV55 | 513208 | Spring | 1 | CV83 | NKC48 | Gear , speedometer driven | 1 |
| CV56 | 518110 | Cage , roller | 1 | CV84 | NKC42 | BEARING KIT , speedometer driven gear | 1 |
| CV57 | NKC20 | Oil Thrower | 1 | CV85 | NKC106 | “O” Ring , between driven gear bearing and rear case | 1 |
| CV58 | NKC77 | Spring Clip | 1 | CV86 | NKC105 | Seal , oil, speedometer driven gear | 1 |
| CV59 | NKC22 | Planet Carrier Kit | 1 | CV87 | NKC43 | Connector Kit , speedometer cable | 1 |
| CV60 | NKC55 | SUN Wheel | 1 | CV88 | NKC80 | Screw , set, securing speedometer drive components to rear case | 1 |
| CV61 | NKC40 | Clutch Assembly , sliding member | 1 | CV89 | NKC70 | Washer , lock, securing screw | 1 |
| CV62 | NKC62 | CLUTCH THRUST RING ASSEMBLY | 1 | | | | |
| CV63 | NKC109 | Pin | 4 | | | | |
| CV64 | NKC63 | Bearing , thrust | 1 | | | | |
| CV65 | NKC12 | Clutch Spring Kit , set of four | 1 | | | | |
| CV66 | 500587 | Bridge Piece | 2 | | | | |
| CV67 | 520977 | Nut , bridge piece, self locking | 4 | | | | |
| CV68 | NKC84 | Circlip , thrust bearing | 1 | | | | |
| CV69 | NKC85 | Circlip , sliding member | 1 | | | | |
| CV70 | NKC83 | Circlip , sun wheel | 1 | | | | |
| CV71 | NKC10 | Brake Ring | 1 | | | | |
| CV72 | NKC86 | Gasket , between brake ring and main case | 1 | | | | |
| CV73 | NKC87 | Gasket , between brake ring and rear case | 1 | | | | |
| CV74 | NKC38 | Rear Case , all models, except U.S.A. | 1 | | | | |
| | NKC38 | Rear Case , U.S.A. models, up to comm.no. CF35000 | 1 | | | | |
| | RTC1951 | Rear Case , U.S.A. models, after comm. no. CF35000 | 1 | | | | |
| CV75 | NKC39 | Seal , oil, rear case | 1 | | | | |
| | | HARDWARE , securing rear case to main case | | | | | |
| CV76 | NKC89 | Washer , copper | 2 | | | | |
| CV77 | NKC88 | Washer , lock | 4 | | | | |
| CV78 | NKC90 | Nut | 6 | | | | |
| CV79 | 160292 | Flange , rear | 1 | | | | |
| CV80 | NKC82 | Washer , plain | 1 | | | | |
| CV81 | NKC81 | Nut , securing flange | 1 | | | | |