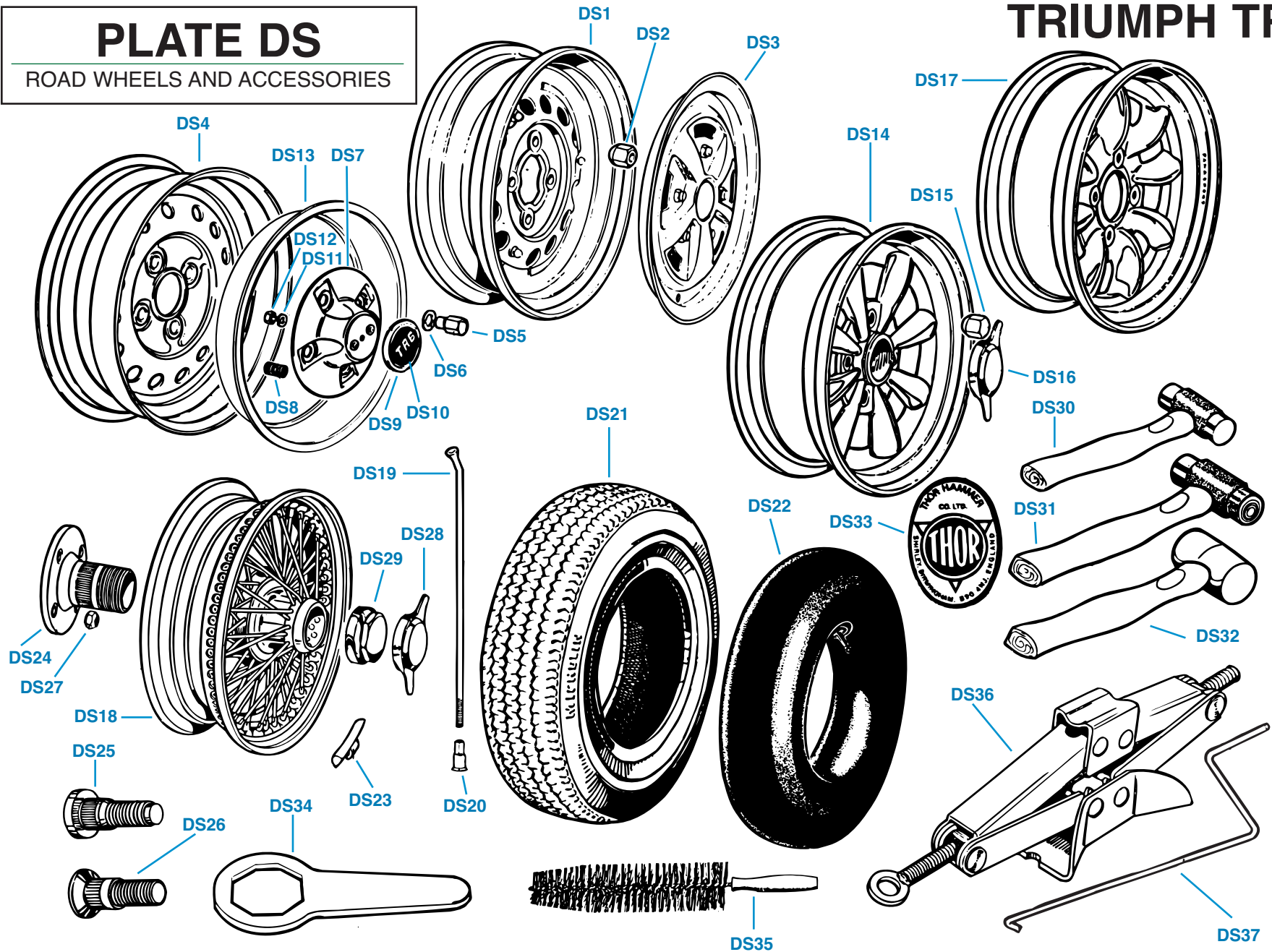


PLATE DS

ROAD WHEELS AND ACCESSORIES

TRIUMPH TR6



ROAD WHEELS AND ACCESSORIES

Plate No.	Part No.	Description	No. Off
		EARLY STOCK ROAD WHEELS , fitted up to comm. no. CC/CP50000	
DS1	308908	Disc Road Wheel , 51/2-inch x 15 inch rim	5
DS2	109586	Nut , road wheel attachment	16
DS3	811974	Wheel Trim (Hub Cap)	4
		LATER STOCK ROAD WHEELS , fitted after comm. no. CC/CP50000	
DS4	311243	Disc Road Wheel , 51/2-inch x 15 inch rim	5
DS5	154470	Nut , chromed, road wheel attachment	16
	CAR6	Nut, stainless steel , road wheel attachment	16
DS6	154466	Washer , plastic, on wheel attachment nuts	16
		WHEEL CENTER TRIMS	
DS7	718295	Trim , black plastic, fitted up to comm. no. CF/CR1	4
	722898	Trim , silver plastic, fitted after comm. no. CF/CR1	4
	WT61	Trim , neutral plastic, for painting black or silver; supplied for all replacements	4
DS8	628097	Spring , between wheel center trim and road wheel	16
DS9	627502	BADGE , "TRIUMPH," on wheel center trim	4
DS10	627502/L	Emblem , transfer, badge	4
		HARDWARE , securing badges to wheel center trims	
DS11	WL205	Washer , lock	8
DS12	HN2005	Nut	8
		WHEEL TRIM RINGS , fitted to U.S. models only	
	WT1/4AL	WHEEL TRIM RING SET , aluminium finish as original	1
DS13	WT1/1AL	Wheel Trim Ring , aluminium finish	4
	WT1/4SS	WHEEL TRIM RING SET , bright-polished stainless steel finish	1
	WT1/1SS	Wheel Trim Ring , bright-polished finish	4
		ALLOY ROAD WHEELS , optional original equipment	
DS14	RW51	Cast Road Wheel , 6-inch x 15-inch rim, light alloy, L.H.	2
	RW52	Cast Road Wheel , 6-inch x 15-inch rim, light alloy, R.H.	2
DS15	RW53	Nut , alloy wheel attachment	16
DS16	RW54	Knock-off Nut , L.H. (Decorative only.)	2
	RW55	Knock-off Nut , R.H. (Decorative only.)	2
		PANASPORT BRAND ALLOY ROAD WHEELS (Competition-quality wheels similar to Mini-lite wheels.), 6-inch x 15-inch rim, light alloy, supplied with lug nuts	
DS17	PANFS1506/SVR	Panasport Wheel , silver finish with machined alloy rim	5
	PANFS1506/BLK	Panasport Wheel , black finish with machined alloy rim	5
	PANFS1506/GLD	Panasport Wheel , gold finish with machined alloy rim	5

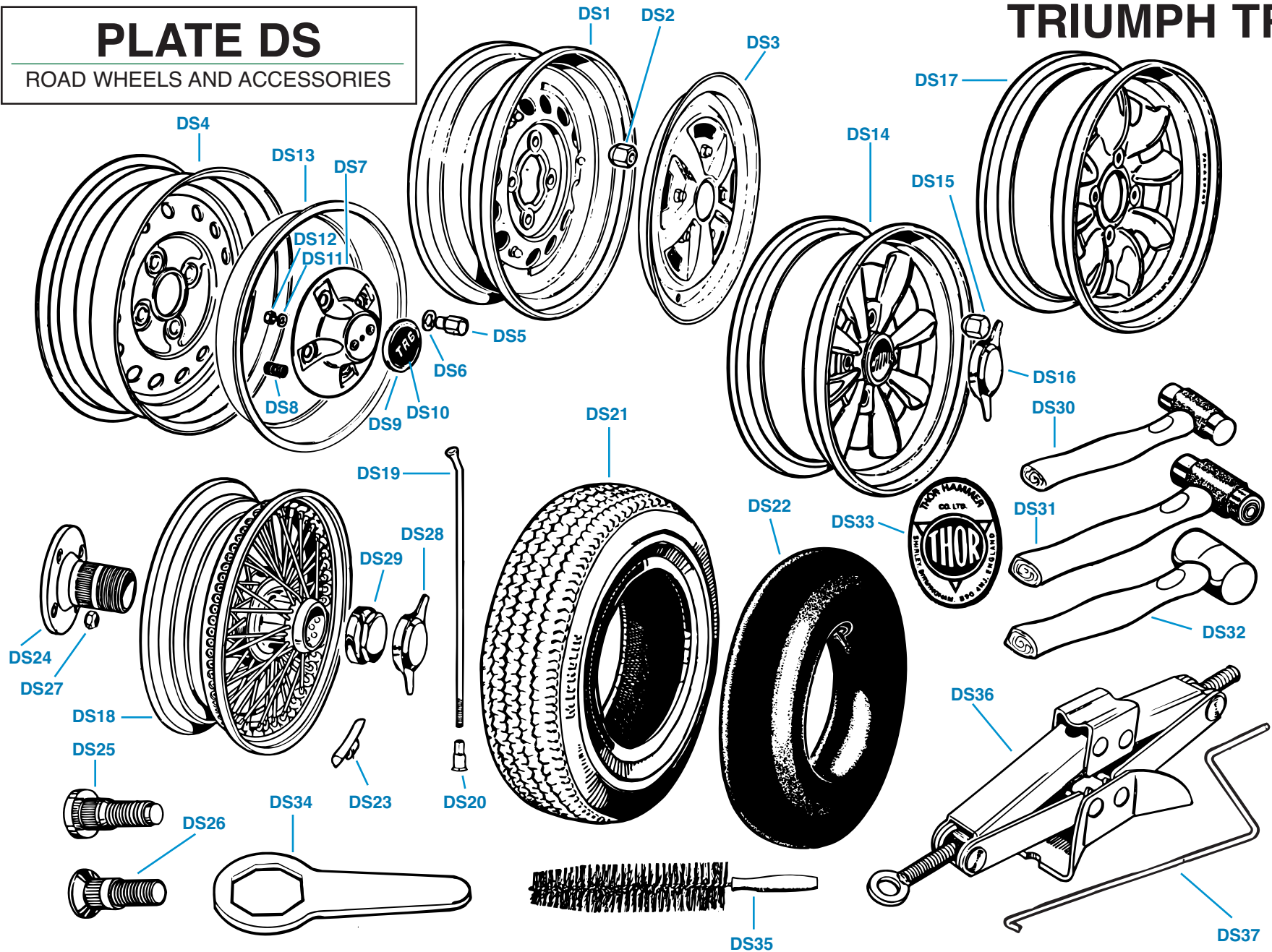
Plate No.	Part No.	Description	No. Off
		DAYTON BRAND WIRE WHEELS (These are the finest-quality Dunlop type wheels on the market.)	
DS18	WWH72151	WIRE WHEEL , 72-spokes, 6-inch x 15-inch rim, painted finish	5
DS19	WWH721	Spoke , outer, replacement	24
	WWH722	Spoke , inner, replacement	48
DS20	WWH723	Nipple , spoke	72
	WWH72152	WIRE WHEEL , 72-spokes, 6-inch x 15-inch rim, chromed finish with polished stainless steel spokes	5
	WWH731	Spoke , outer, replacement	24
	WWH732	Spoke , inner, replacement	48
	WWH733	Nipple , spoke	72
		"REDLINE" TIRES	
DS21	MIX18515/RL	Tire , Michelin X, "redline" (Fits all wheels listed in this section; original equipment for the TR6.)	5
	COMM18515/RL	Tire , replica, "redline" aftermarket tire manufactured to original specifications and appearance	5
DS22	MIT18515	Tube , Michelin, for the tire listed above (Use only Michelin tubes in Michelin tires.)	5
		TIRE BALANCE WEIGHTS (Currently available items do not have "Stanpart" trademarks.)	
DS23	137531	Balance Weight , 1/2 oz.	A/R
	140073	Balance Weight , 1 oz.	A/R
	140074	Balance Weight , 1 1/2 oz.	A/R
	140075	Balance Weight , 2 oz.	A/R
	140076	Balance Weight , 2 1/2 oz.	A/R
	140077	Balance Weight , 3 oz.	A/R
		WIRE WHEEL INSTALLATION DETAILS	
		HUB EXTENSIONS (HUB ADAPTORS)	
DS24	217603	Hub Extension , L.H.	2
	217602	Hub Extension , R.H.	2
		HARDWARE , securing hub extensions to front and rear hubs	
		HUB STUDS (Use items listed below, or shorten disc wheel studs if a conversion is being made.)	
DS25	114281	Stud , hub, front, wire wheel type	8
DS26	142799	Stud , hub, rear, wire wheel type	8
		SPECIAL NUT , required for wire wheel hub extensions	
DS27	110366	Nut , double-bevel, securing hub extensions to hubs	16

(Continued on next page.)

PLATE DS

ROAD WHEELS AND ACCESSORIES

TRIUMPH TR6



ROAD WHEELS AND ACCESSORIES

Plate No.	Part No.	Description	No. Off	Plate No.	Part No.	Description	No. Off
		WIRE WHEEL INSTALLATION DETAILS -Continued					
		CENTER-LOCK NUTS , securing wire wheels to hub extensions					
		TWO-EARED KNOCK-OFF NUTS					
DS28	107949	Center-Lock Nut , L.H.	2				
	107948	Center-Lock Nut , R.H.	2				
		OCTAGONAL-TYPE KNOCK-OFF NUTS					
DS29	121296	Center-Lock Nut , L.H.	2				
	121295	Center-Lock Nut , R.H.	2				
		Note: Throughout this catalogue L.H. and R.H. refer to the left-hand and right-hand sides of the car as you are sitting in the car in normal driving position. It is essential that wire wheel hub extensions and center-lock nuts be installed on the correct side of the car.					
		WIRE WHEEL ACCESSORIES					
DS30	108450	HAMMER , knock-off, Thor brand, smaller size with copper/copper faces	1				
DS31	C27290	HAMMER , knock-off, Thor brand, larger size with copper/hide faces	1				
DS32	RFT107	HAMMER , knock-off, Thor brand, smaller size with lead hammer head	1				
DS33	RFL101	Label , Thor, for knock-off hammers	1				
DS34	121297	Spanner (Wrench) , for use in knocking off octagonal-type center lock nuts	1				
DS35	WWSB183	Brush , cleaning, wire wheels	1				
		JACKS AND HANDLES					
DS36	212677	Jack , scissors, original type	1				
DS37	UKC4389	Handle , jack	1				