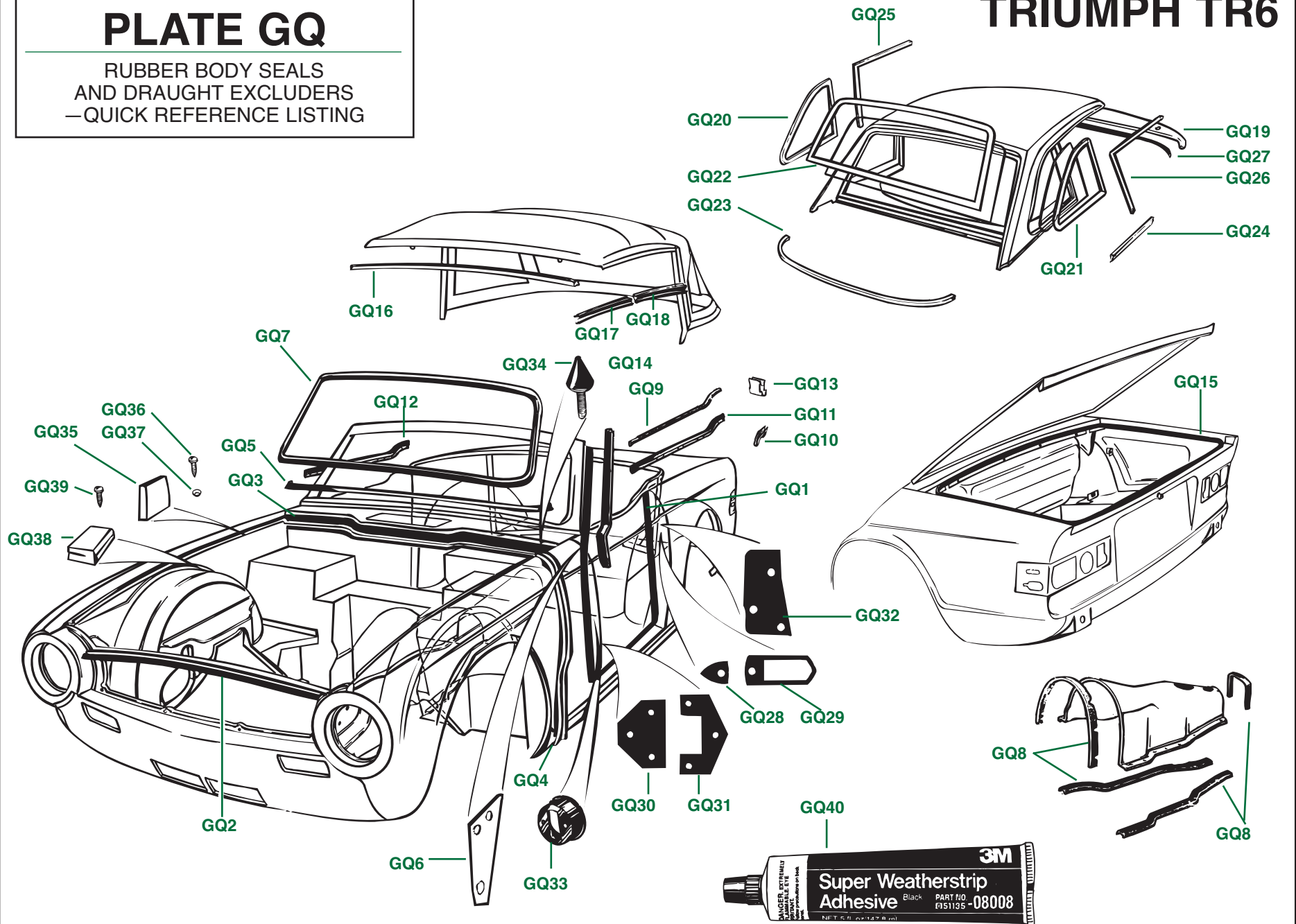


PLATE GQ

RUBBER BODY SEALS
AND DRAUGHT EXCLUDERS
—QUICK REFERENCE LISTING

TRIUMPH TR6



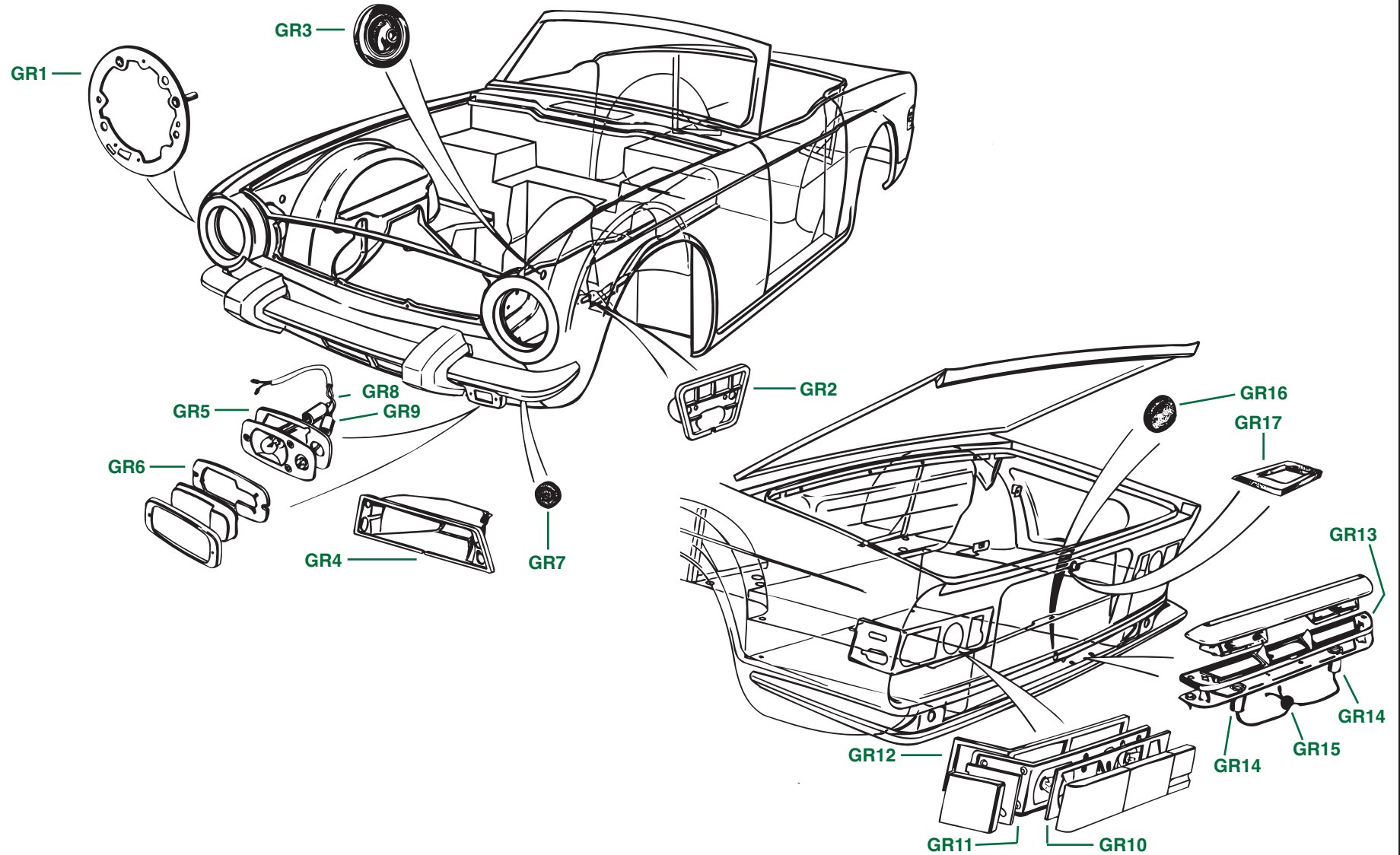
RUBBER BODY SEALS AND DRAUGHT EXCLUDERS—QUICK REFERENCE LISTING

Plate No.	Part No.	Description	No. Off	Plate No.	Part No.	Description	No. Off
		Please Note: We are providing body seal kits for customers who strip their cars for restoration or for paint jobs and for customers building cars on new body shells. These kits allow you to receive all of the parts required by ordering only a few different part numbers. All components are also available individually.					
	RFK875	BODY SEAL KIT , including black fuzzy door seals	1		RFK881	GASKET KIT , door-related hardware	1
	RFK876	BODY SEAL KIT , including red fuzzy door seals	1	GQ28	617403	Gasket , outside door handle, front; smaller gasket	2
	RFK877	BODY SEAL KIT , including tan fuzzy door seals	1	GQ29	617402	Gasket , outside door handle, rear; larger gasket	2
	RFK878	BODY SEAL KIT , including shadow blue fuzzy door seals	1	GQ30	650112/A	Gasket , shim, between door hinge and front door post; use to adjust door gaps; kit includes eight shims	A/R
GQ1	631321	Seal , door, fuzzy, black, as original	2	GQ31	650112/D	Gasket , shim, between door hinge and door; use to adjust door gaps; kit includes eight shims	A/R
	631322	Seal , door, fuzzy, red, as original	2	GQ32	621714	Gasket , shim, between door lock striker dovetail and rear door post; kit includes four shims	A/R
	631323	Seal , door, fuzzy, tan, as original	2	GQ33	613623	Seal , rubber, door check strap	2
	631327	Seal , door, fuzzy, shadow blue, as original	2		RFK748	BONNET BUFFER KIT , fitted up to comm. nos. CF1 and CR1	1
GQ2	627075	Seal , bonnet, front, mounted on front valance upper flange	1	GQ34	612962	Cone , bonnet locating	2
GQ3	610675	Seal , bonnet, rear, mounted on scuttle flange	1		JN2108	HARDWARE , securing bonnet locating cones	
GQ4	650172	Seal , rubber, between front fender splash plates and front fenders	2		WP139	Nut , jam	4
GQ5	650130	Seal , between windscreen frame and scuttle panel	1	GQ35	611842	Washer , plain	4
GQ6	650313	Gasket , between windscreen mounting brackets and inner "A" posts	2			Wedge , rubber, bonnet buffer, sides	4
GQ7	913442	Seal , around windscreen glass	1			HARDWARE , securing rubber wedges; also coat backs of wedges with weatherstrip adhesive to prevent curling	
GQ8	GCS6	Seal Set , gearbox cover to floor and to bulkhead; includes four seals	1	GQ36	YA365	Screw , self-tapping	8
		DOOR WINDOW SEALS		GQ37	CD24152	Washer , cup, on screws	8
GQ9	850322	Seal , inner, door waist, L.H.	1	GQ38	601663	Buffer , rubber, bonnet stay rod	1
	850323	Seal , inner, door waist, R.H.	1	GQ39	YA103	Screw , self-tapping, securing stay rod buffer	1
GQ10	GHF1582	Clip , securing inner waist seals	14		RFK749	BONNET BUFFER KIT , fitted after comm. nos. CF1 and CR1; identical to previous except for profile of rubber side buffer wedges	1
GQ11	850324	Seal , outer, door waist, L.H.	1			Cone , bonnet locating	2
GQ12	850325	Seal , outer, door waist, R.H.	1			HARDWARE , securing bonnet locating cones	
GQ13	GHF1560	Clip , securing outer waist seals	14		JN2108	Nut , jam	4
GQ14	620913	Seal , door glass, mounted on sides of windscreen frame	2		WP139	Washer , plain	4
GQ15	716630	Seal , trunk lid, mounted on body flange	1		626152	Wedge , rubber, bonnet buffer, sides	4
	RFK879	SOFT TOP SEAL KIT	1			HARDWARE , securing rubber wedges; also coat backs of wedges with weatherstrip adhesive to prevent curling	
GQ16	616187	Seal , rubber, header rail	1		YA365	Screw , self-tapping	8
GQ17	621273	Seal , roof side, front	2		CD24152	Washer , cup, on screws	8
GQ18	621274	Seal , roof side, rear	2		601663	Buffer , rubber, bonnet stay rod	1
	RFK880	HARD TOP SEAL KIT	1		YA103	Screw , self-tapping, securing stay rod buffer	1
GQ19	806144	Seal , header	1	GQ40	TRFC101	Weatherstrip Adhesive , black, 3M brand, 5 oz. tube	A/R
GQ20	815790	Seal , quarter window, L.H.	1				
GQ21	815791	Seal , quarter window, R.H.	1				
GQ22	815534	Seal , around rear window glass	1				
GQ23	626156	Seal , hard top to rear deck, rear	1				
GQ24	626155	Seal , hard top to rear deck, side	2				
GQ25	626901	Seal , fuzzy, around door window, L.H.	1				
GQ26	626911	Seal , fuzzy, around door window, R.H.	1				
GQ27	626811	Seal , fuzzy, header rail	1				

PLATE GR

GASKETS, GROMMETS, AND SEALS
FOR LAMPS AND LENSES
—QUICK REFERENCE LISTING

TRIUMPH TR6



GASKETS, GROMMETS, AND SEALS FOR LAMPS AND LENSES—QUICK REFERENCE LISTING

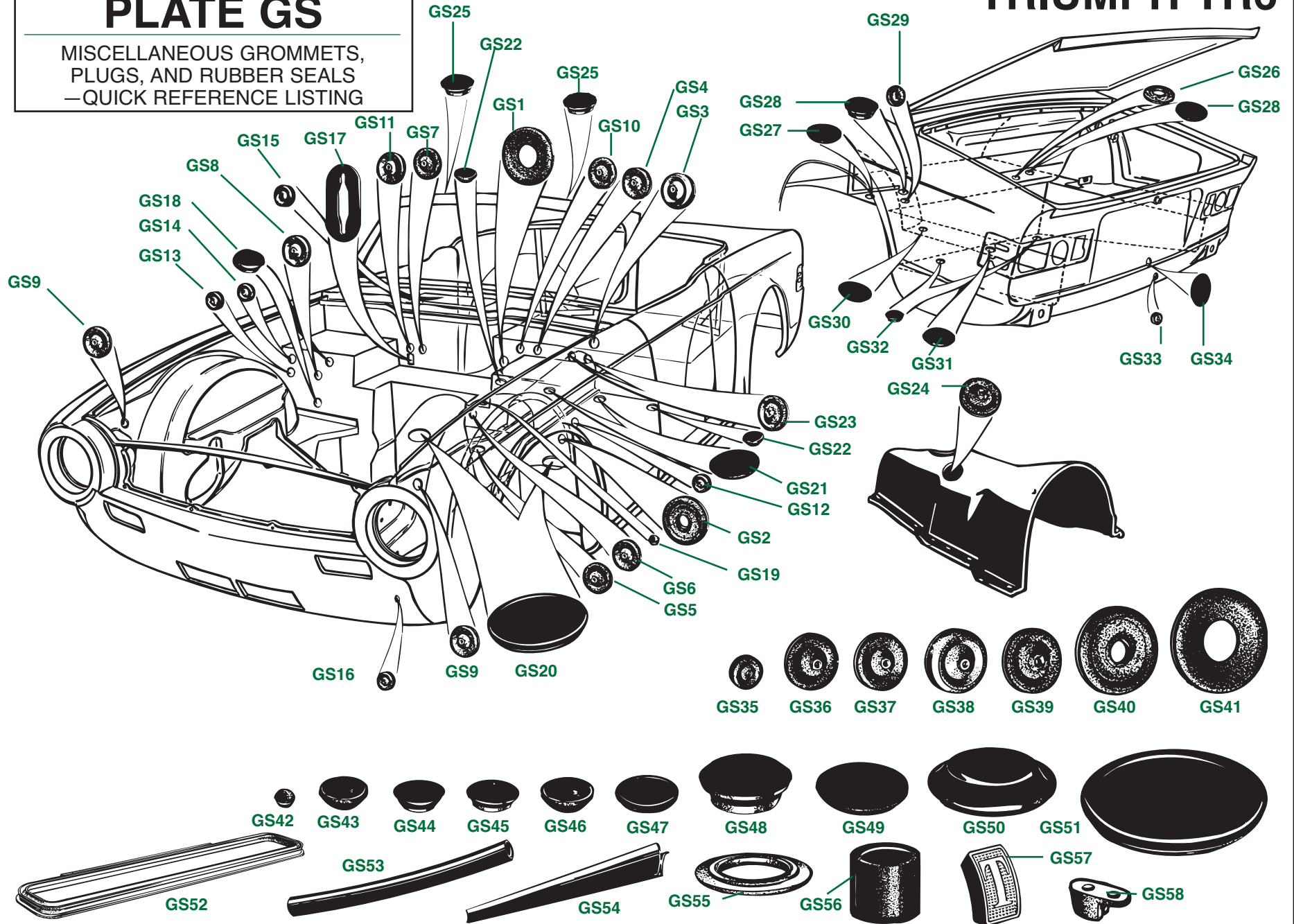
Plate No.	Part No.	Description	No. Off
GASKETS AND GROMMETS FOR HEADLAMPS AND FRONT SIDEMARKER LAMPS			
GR1	LU54520919	Gasket , between headlamp assembly and body shell	2
GR2	LU54579233	Body , rubber, front sidemarker lamps	2
GR3	602037	Grommet , headlamp wiring leads and sidemarker lamp leads, holes in inner front fenders forward of wheel arches	2
GASKETS AND GROMMETS FOR FRONT PARKING/TURN SIGNAL LAMPS			
GR4	LU54579399	Body , rubber, L.H. front signal lamp, fitted to U.S. models up to comm. no. CF27000	1
	LU54579395	Body , rubber, R.H. front signal lamp, fitted to U.S. models up to comm. no. CF27000	1
	RFK882	GASKET AND GROMMET KIT , front parking/signal lamps, fitted to U.S. models after comm. no. CF27000	1
GR5	LU54579982	Gasket , foam, between lamp base and mounting plinth	2
GR6	SLP148	Gasket , foam, between lens and lamp base	2
GR7	61917	Grommet , rubber, fitted in front valance for wiring leads	2
CABLE ENTRY GROMMETS , front parking/signal lamps, fitted to U.S. models after comm. no. CF27000			
GR8	515061	Grommet , cable entry, signal lamp side	2
GR9	515060	Grommet , cable entry, parking lamp side	2
	RFK149	GASKET SET , tail lamp assemblies	1
GR10	LU54579676	GASKET , lenses to lamp main portion	2
GR11	SLP161	Gasket , lenses to lamp, side portion	2
GR12	LU54583393	Gasket , lamp base to body shell, L.H.	1
	LU54584607	Gasket , lamp base to body shell, R.H.	1
GASKETS AND GROMMETS , number plate lamps, fitted up to comm. nos. CF1 and CR1			
GR13	LU54579268	Gasket , rubber, lenses and cover to lamp base	1
GR14	LU573825	Grommet , cable entry, fitted to lamp	2
GR15	61917	Grommet , rubber, wiring lead, fitted to outer rear valance	1
GR16	600399	Plug , rubber, access to wiring lead, fitted to inner valance inside trunk	1
GR17	632043	Plinth , mounting, rubber, number plate lamps, fitted after comm. nos. CF1 and CR1	2

Plate No.	Part No.	Description	No. Off
-----------	----------	-------------	---------

PLATE GS

MISCELLANEOUS GROMMETS,
PLUGS, AND RUBBER SEALS
—QUICK REFERENCE LISTING

TRIUMPH TR6



MISCELLANEOUS GROMMETS, PLUGS, AND RUBBER SEALS—QUICK REFERENCE LISTING

Plate No.	Part No.	Description	No. Off
		Please Note: The Grommet and Plug Kits listed below will fulfill most needs on U.S. models. P.I. models and models with R.H. steering will vary only slightly. A few extra grommets and plugs are included in the kit to provide the best possible coverage for small variations.	
	RFK868	RUBBER GROMMET AND PLUG KIT , complete car set for U.S. models	1
	RFK869	RUBBER GROMMET AND PLUG KIT , bulkhead, engine bay, and front of car	1
GS1	610608	Grommet , rubber, steering column, hole in bulkhead	1
GS2	RG3	Grommet , rubber, main wiring harness, hole in bulkhead, driver's side	1
GS3	SLP222	Grommet , rubber, windshield wiper drive tube, 1-inch hole in bulkhead, fitted up to comm. no. CF1	1
GS4	602037	Grommet , rubber, speedometer cable, hole in bulkhead	1
GS5	602037	Grommet , rubber, speedometer cable, hole in wheel arch reinforcement	1
GS6	602037	Grommet , rubber, tachometer cable, hole in bulkhead	1
GS7	602037	Grommet , rubber, main wiring harness, hole in bulkhead, passenger's side	1
GS8	602037	Grommet , rubber, radio aerial lead, hole in bulkhead end panel inside front fender	1
GS9	602037	Grommet , rubber, side-marker lamp leads and headlamp leads, holes in front inner fenders forward of wheelarches	2
GS10	600395	Grommet , rubber, oil pressure gauge pipe, hole in bulkhead; same hole is also used for lead to service counter fitted to U.S. models after comm. no. CF35000	1
GS11	600395	Grommet , rubber, choke cable and water valve control cable, hole in bulkhead	1
GS12	61917	Grommet , rubber, bonnet release cable, hole in bulkhead	1
GS13	61917	Grommet , rubber, windshield washer electrical lead, hole in bulkhead	1
GS14	61917	Grommet , rubber, windshield washer delivery tube, holes in bulkhead and plenum	2
GS15	61917	Grommet , rubber, scuttle vent control rod, hole in plenum, fitted up to comm. no. CF1	1
GS16	61917	Grommet , rubber, front signal lamp leads, hole in front valance, fitted after comm. no. CF27000	1
GS17	611040	Gasket , rubber, bulkhead heater connection, hole in bulkhead	1
GS18	SLP182	Plug , rubber, blanking holes in bulkhead adjacent to windshield washer bottle	2
GS19	603790	Plug , rubber, blanking small hole in bulkhead shelf above accelerator pedal on U.S. models	1

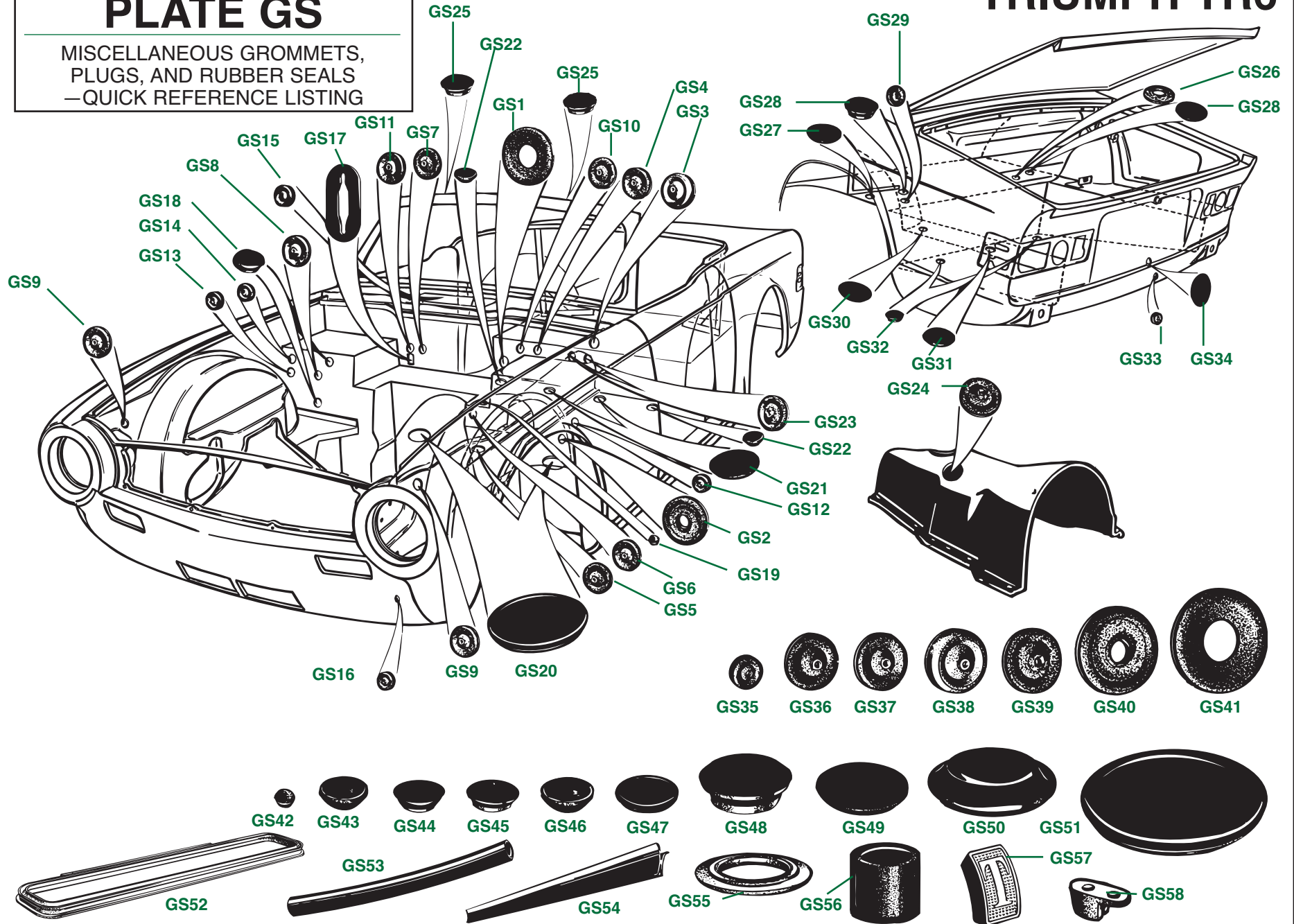
Plate No.	Part No.	Description	No. Off
		RUBBER GROMMET AND PLUG KIT —Continued	
	RFK870	RUBBER GROMMET AND PLUG KIT , cockpit area	1
GS20	603384	Plug , rubber, large, blanking vestigial jacking holes in main floor panels forward of seats	2
GS21	600399	Plug , rubber, blanking 1-inch holes in main floors behind seats	2
GS22	CD25672	Plug , rubber, blanking 5/8-inch holes in main floors behind seats	2
GS23	612715	Grommet , rubber, handbrake cables, holes in rear heel board	2
GS24	612715	Grommet , rubber, leads to gearbox switches, hole in gearbox cover	1
GS25	612235	Plug , rubber, blanking holes in windshield capping	2
	RFK871	RUBBER GROMMET AND PLUG KIT , trunk area and rear of car behind interior rear bulkhead trim panel	1
GS26	611733	Seal , sponge, fuel tank drain hole and fuel outlet hole	2
GS27	623176	Plug , rubber, blanking fuel tank drain hole; later cars without fuel tank drain plugs	1
GS28	600399	Plug , rubber, blanking holes on each side of fuel tank	2
GS29	602037	Grommet , rubber, fuel vapor tube, hole on L.H. side of fuel tank	1
GS30	600399	Plug , rubber, blanking hole in L.H. trunk floor panel	1
GS31	600399	Plug , rubber, blanking hole in spare wheel pan	1
GS32	600398	Plug , rubber, blanking holes in spare wheel pan; not fitted to all models	4
GS33	61917	Grommet , wiring lead to number plate lamp, hole in rear valance, fitted up to comm. nos. CF1 and CR1	1
GS34	600399	Plug , rubber, mounted in inner rear valance for access to wiring cable	1

(Continued on next page.)

PLATE GS

MISCELLANEOUS GROMMETS,
PLUGS, AND RUBBER SEALS
—QUICK REFERENCE LISTING

TRIUMPH TR6



MISCELLANEOUS GROMMETS, PLUGS, AND RUBBER SEALS—QUICK REFERENCE LISTING

Plate No.	Part No.	Description	No. Off	Plate No.	Part No.	Description	No. Off
GROMMETS AND PLUGS, a la carte listing							
RUBBER GROMMETS							
GS35	61917	Grommet , rubber, fits 1/2-inch hole	A/R				
GS36	600395	Grommet , rubber, fits 1-inch hole, very small inside diameter	A/R				
GS37	602037	Grommet , rubber, fits 1-inch hole, larger inside diameter for speedo cables, etc.	A/R				
GS38	612715	Grommet , rubber, fits 1-inch hole, similar to 602037 except heavier weight grommet	A/R				
GS39	SLP222	Grommet , rubber, windscreen wiper drive tube, fits 1-inch hole	1				
GS40	RG3	Grommet , rubber, wiring harness, fits 1 7/8 -inch hole	1				
GS41	610608	Grommet , rubber, steering column, fits 2 3/8-inch hole, fitted up to comm. nos. CF1 and CR1	1				
RUBBER PLUGS							
GS42	603790	Plug , rubber, 5/16-inch hole	A/R				
GS43	617081	Plug , rubber, 1/2-inch hole blanking holes for seat belt attachments, models without seat belts	A/R				
GS44	SLP182	Plug , rubber, 3/8-inch hole	A/R				
GS45	600398	Plug , rubber, 1/2-inch hole	A/R				
GS46	CD25672	Plug , rubber, 5/8-inch hole	A/R				
GS47	600399	Plug , rubber, 1-inch hole	A/R				
GS48	623176	Plug , rubber, 1 1/2-inch hole	A/R				
GS49	600400	Plug , rubber, 1 1/2-inch hole	A/R				
GS50	605602	Plug , rubber, 2 1/2-inch hole, universal joint access, hole in rear of gearbox cover, possibly fitted to very early TR6	A/R				
GS51	603384	Plug , rubber, 3.72-inch hole, blanking vestigial jacking holes in main floor panels	A/R				
MISCELLANEOUS RUBBER COMPONENTS							
GS52	611118	Seal , rubber, scuttle vent lid, fitted up to comm. nos. CF1 and CR1	1				
GS53	650162	Tube , rubber, draining plenum	2				
GS54	650172	Seal , rubber, between bulkhead splash plates and front fenders	2				
GS55	622683	Grommet , rubber, between fuel filler cap and rear deck	1				
GS56	650279	Hose , connecting fuel filler neck to fuel tank	1				
GS57	122289	Pad , brake and clutch pedals	2				
GS58	622431	Retainer , rubber, sun visors	2				