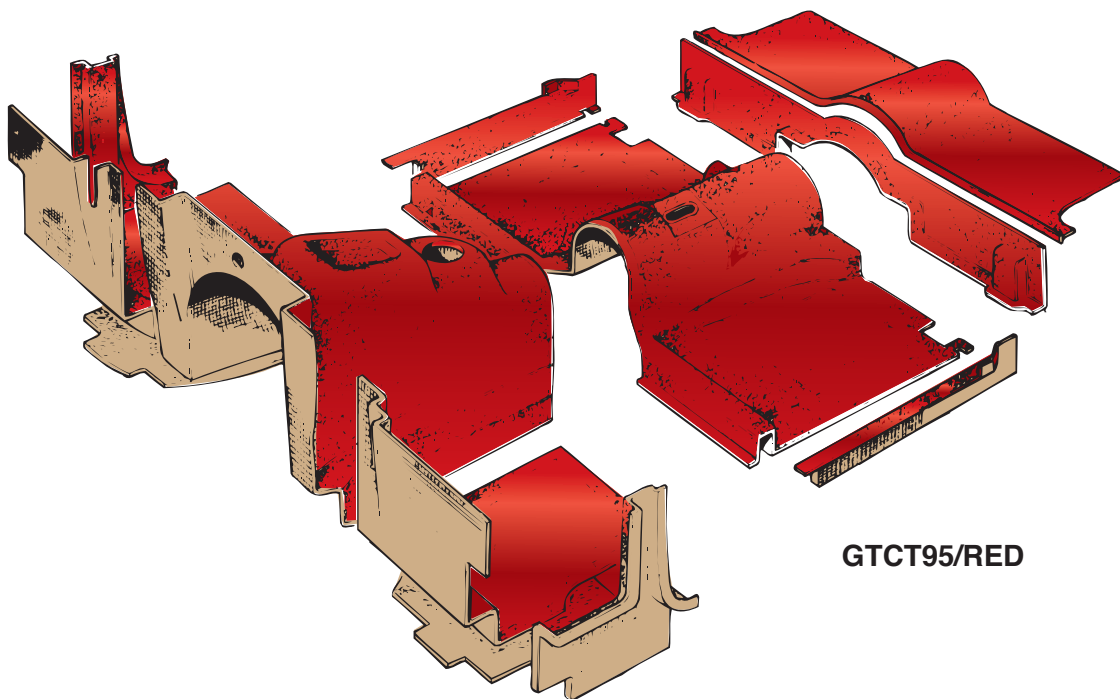


## SPITFIRE CARPETS—MADE IN ENGLAND ON ORIGINAL TOOLING

### "MOULDED CARPETS DUPLICATED ON ORIGINAL FIRTH TOOLS"

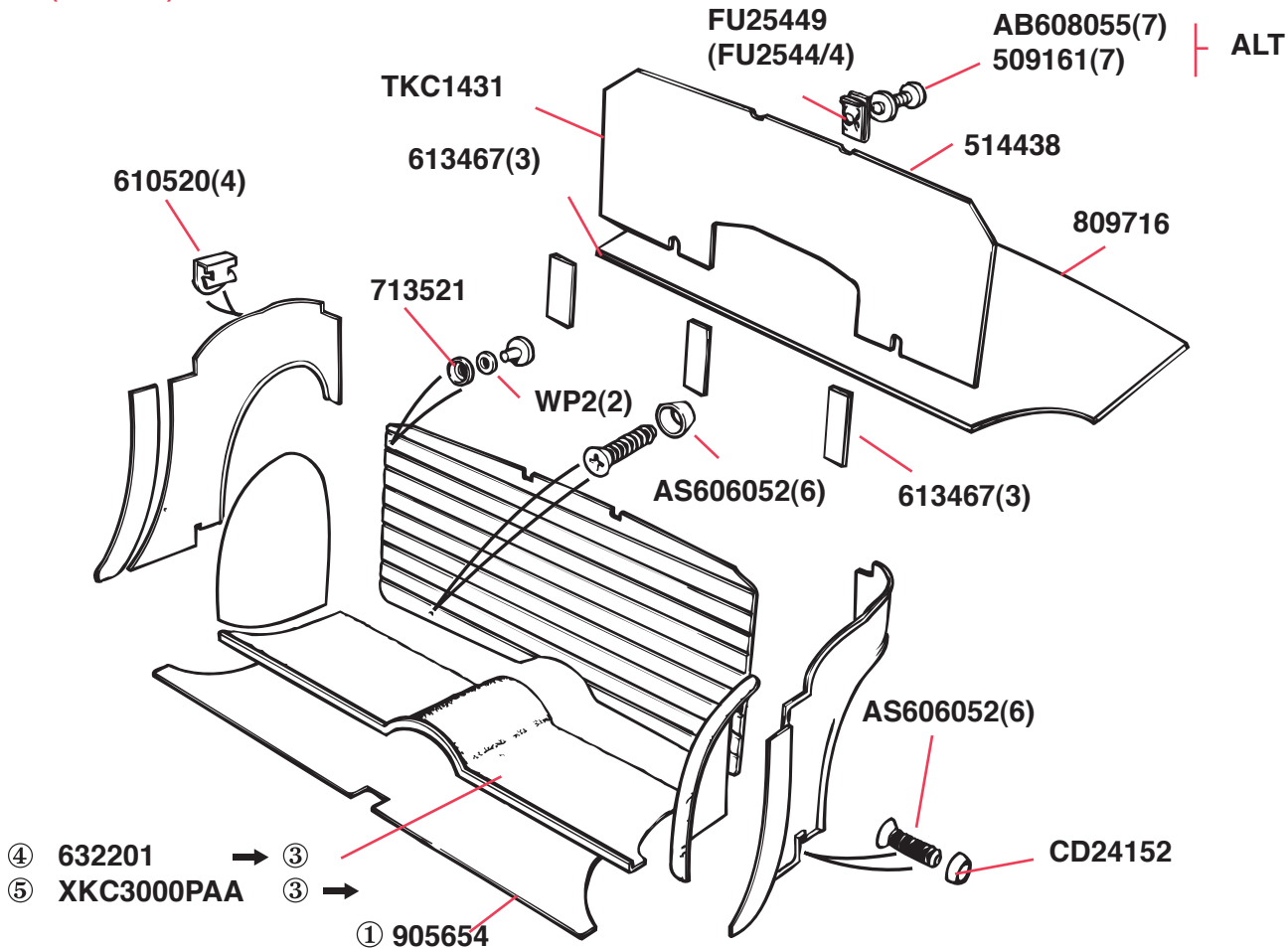
I have seen the original Firth tooling in England at the factory which manufactures TRF's Spitfire and GT6 carpet sets. Firth is no longer in business, but it was the manufacturer of most of the carpets used in classic British sports cars. Fabricated carpet sets for Spitfires are less than satisfactory, and moulded carpets are easy to fit, as they are made to all of the correct shapes. Material used is a modern mouldable carpet material. Carpet samples available upon request. Please specify colours desired when requesting material samples...



GTCT95/RED

Part No.	Description
GTCT95/BLK	<b>Carpet Set</b> , moulded, black
GTCT95/RED	<b>Carpet Set</b> , moulded, red
GTCT95/BLU	<b>Carpet Set</b> , moulded, blue
GTCT95/LTN	<b>Carpet Set</b> , moulded, light tan
GTCT95/GRY	<b>Carpet Set</b> , moulded, grey
GTCT95/GRN	<b>Carpet Set</b> , moulded, green

## INTERIOR—Rear Quarter Trim Panels, Rear Bulkhead Panels, Boot (Trunk) Trim Panels



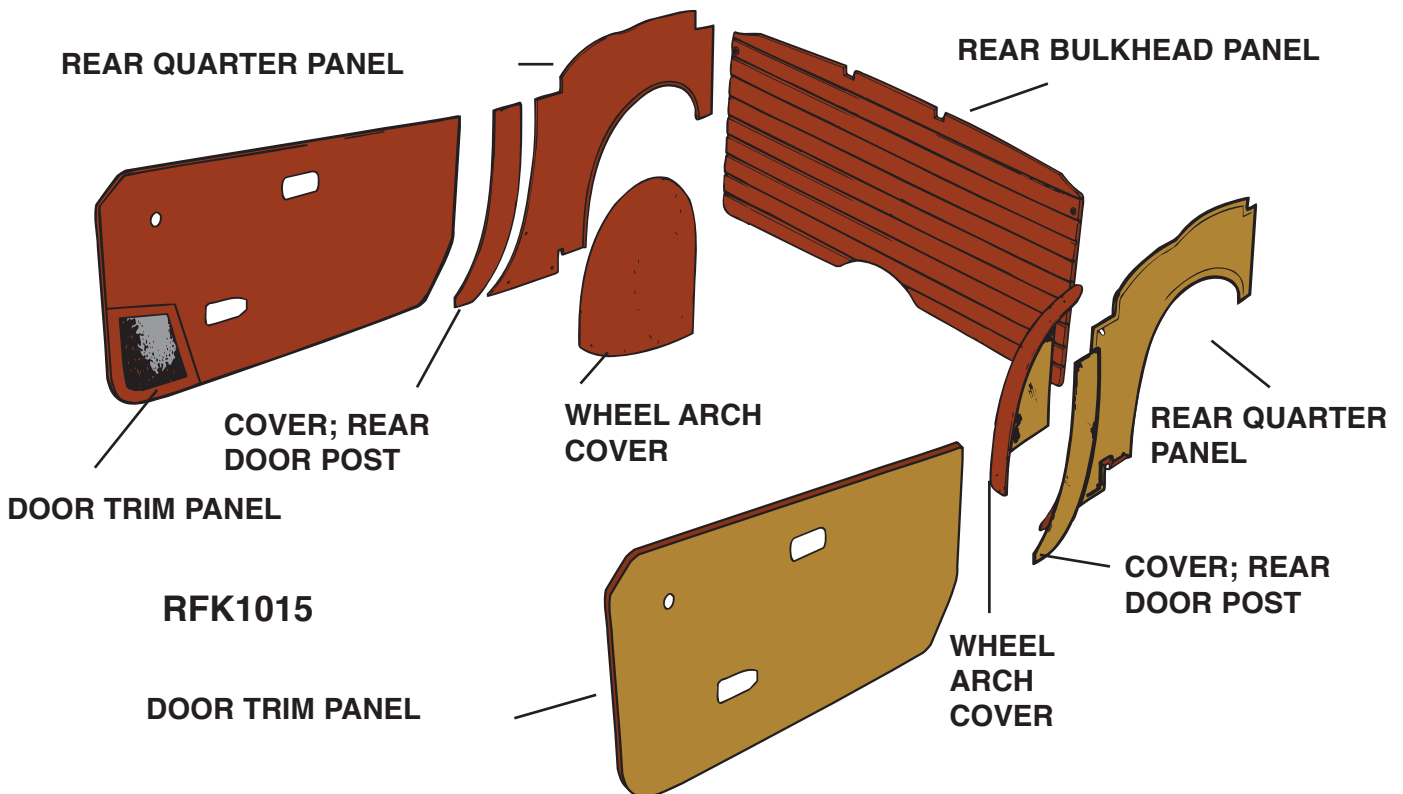
All of our interior panels for the Spitfire 1500 range are of top quality and have been made to original specifications. We have listed the years during which the various colours were fitted, however there is no reason you can't fit a particular colour to your car just because it wasn't available from the factory that year. In that spirit, we are offering red panels among our colour choices, which was never offered on the Spitfire range originally.

Quarter Trim panel sets include wheel arch covers.

Free samples of the vinyl used on these panels are available upon request.

Part No.	Description
GTQP95/BLK	<b>Quarter Trim Panel Set</b> (pair), black (fitted 1973-1980)
GTQP95/BGE	<b>Quarter Trim Panel Set</b> (pair), beige (fitted 1975-1980)
GTQP95/RED	<b>Quarter Trim Panel Set</b> (pair), red (not originally fitted to the 1500 range)
GTQP95/BLU	<b>Quarter Trim Panel Set</b> (pair), shadow blue (fitted 1973-1974)
GTQP95/CNT	<b>Quarter Trim Panel Set</b> (pair), chestnut (fitted 1973-1974)
GTQP95/NTN	<b>Quarter Trim Panel Set</b> (pair), new tan (fitted 1973-1974)
GTQP95/BLK	<b>Bulkhead Panel</b> , rear, black (fitted 1973-1980)
GTQP95/BGE	<b>Bulkhead Panel</b> , rear, beige (fitted 1975-1980)
GTQP95/RED	<b>Bulkhead Panel</b> , rear, red (not an original 1500 colour)
GTQP95/BLU	<b>Bulkhead Panel</b> , rear, shadow blue (fitted 1973-1974)
GTQP95/CNT	<b>Bulkhead Panel</b> , rear, chestnut (fitted 1973-1974)
GTQP95/NTN	<b>Bulkhead Panel</b> , rear, new tan (fitted 1973-1974)

## INTERIOR TRIM PANEL KITS—SPITFIRE 1500, 1971-80



RFK1013  
GTDP95/BLK  
GTQTP95/BLK  
GTIRB95/BLK

**INTERIOR TRIM PANEL KIT, black**  
**Door Panel Kit, black**  
**Quarter Panel and Wheel Arch Cover Kit, black**  
**Rear Bulkhead Panel, black**

RFK1014  
GTDP95/RED  
GTQTP95/RED  
GTIRB95/RED

**INTERIOR TRIM PANEL KIT, matador red**  
**Door Panel Kit, matador red**  
**Quarter Panel and Wheel Arch Cover Kit, matador red**  
**Rear Bulkhead Panel, matador red**

RFK1015  
GTDP95/NTN  
GTQTP95/NTN  
GTIRB95/NTN

**INTERIOR TRIM PANEL KIT, new tan**  
**Door Panel Kit, new tan**  
**Quarter Panel and Wheel Arch Cover Kit, new tan**  
**Rear Bulkhead Panel, new tan**

RFK1016  
GTDP95/CNT  
GTQTP95/CNT  
GTIRB95/CNT

**INTERIOR TRIM PANEL KIT, chestnut**  
**Door Panel Kit, chestnut**  
**Quarter Panel and Wheel Arch Cover Kit, chestnut**  
**Rear Bulkhead Panel, chestnut**

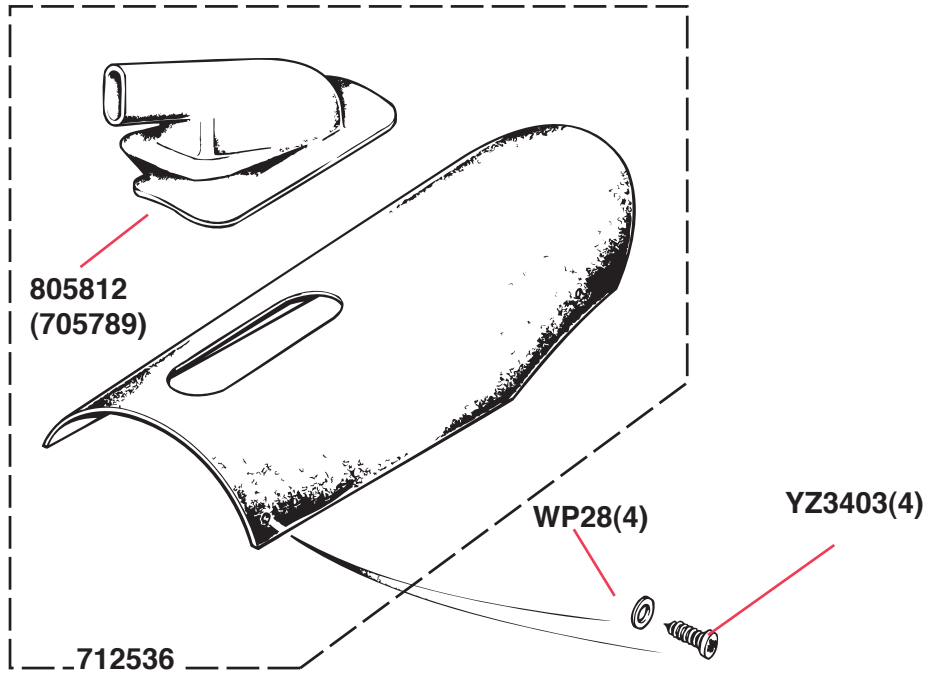
RFK1017  
GTDP95/BGE  
GTQTP95/BGE  
GTIRB95/BGE

**INTERIOR TRIM PANEL KIT, beige**  
**Door Panel Kit, beige**  
**Quarter Panel and Wheel Arch Cover Kit, beige**  
**Rear Bulkhead Panel, beige**

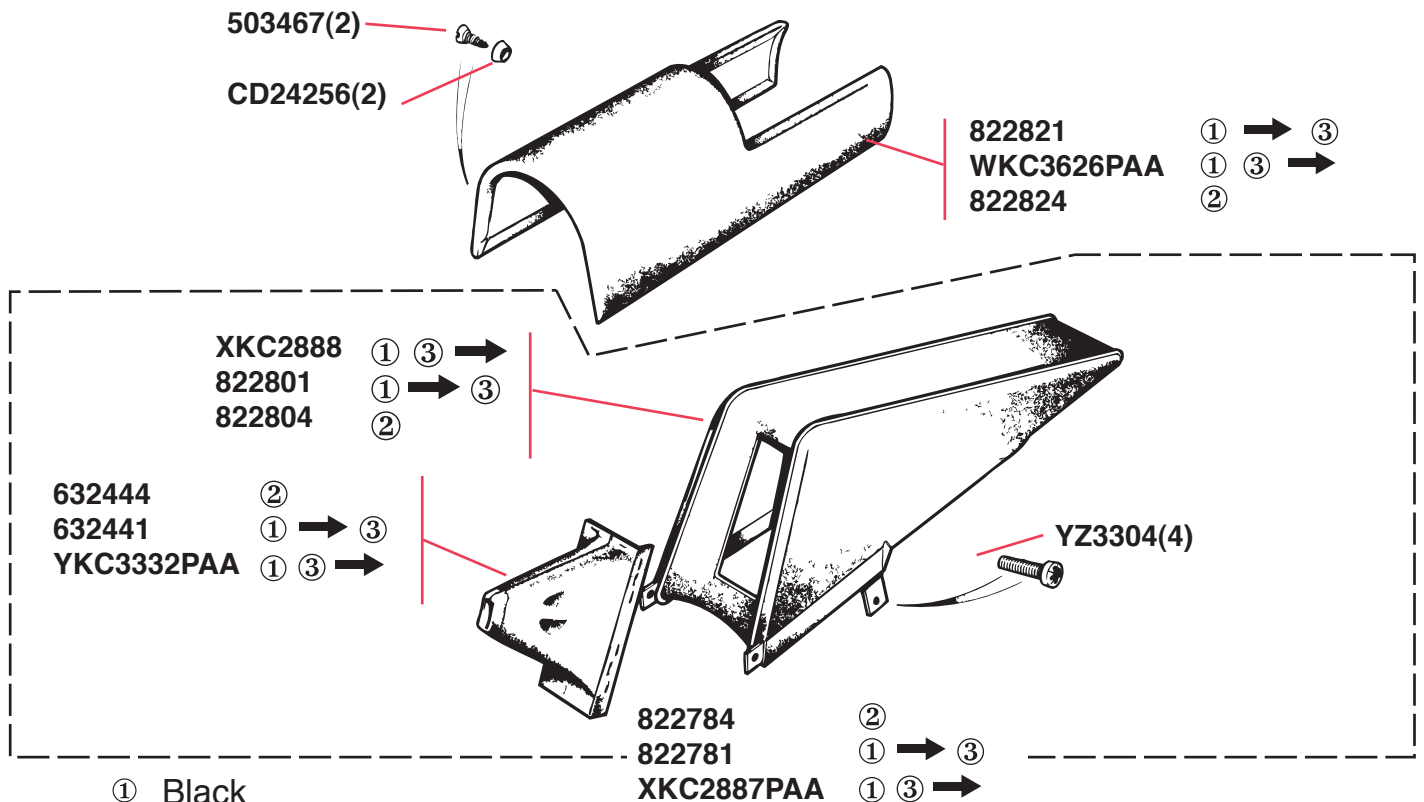
RFK1018  
GTDP95/SBL  
GTQTP95/SBL  
GTIRB95/SBL

**INTERIOR TRIM PANEL KIT, shadow blue**  
**Door Panel Kit, shadow blue**  
**Quarter Panel and Wheel Arch Cover Kit, shadow blue**  
**Rear Bulkhead Panel, shadow blue**

**INTERIOR—Handbrake Cover—Fitted up to the End of 1974 Model Year**

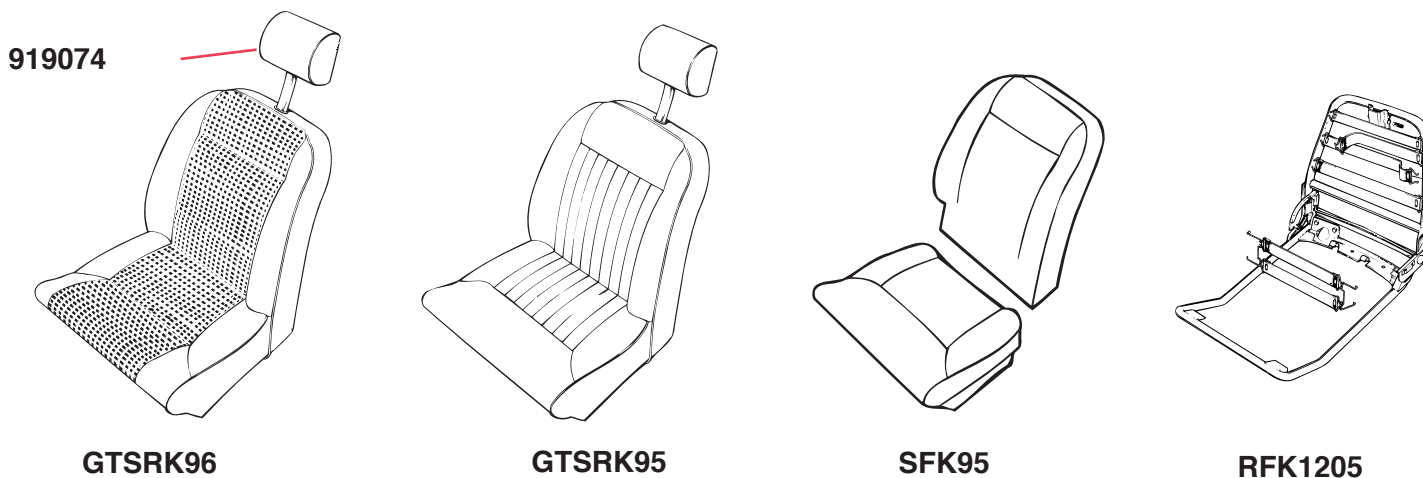


**INTERIOR—Handbrake Cover and Center Armrest—Fitted After 1974**



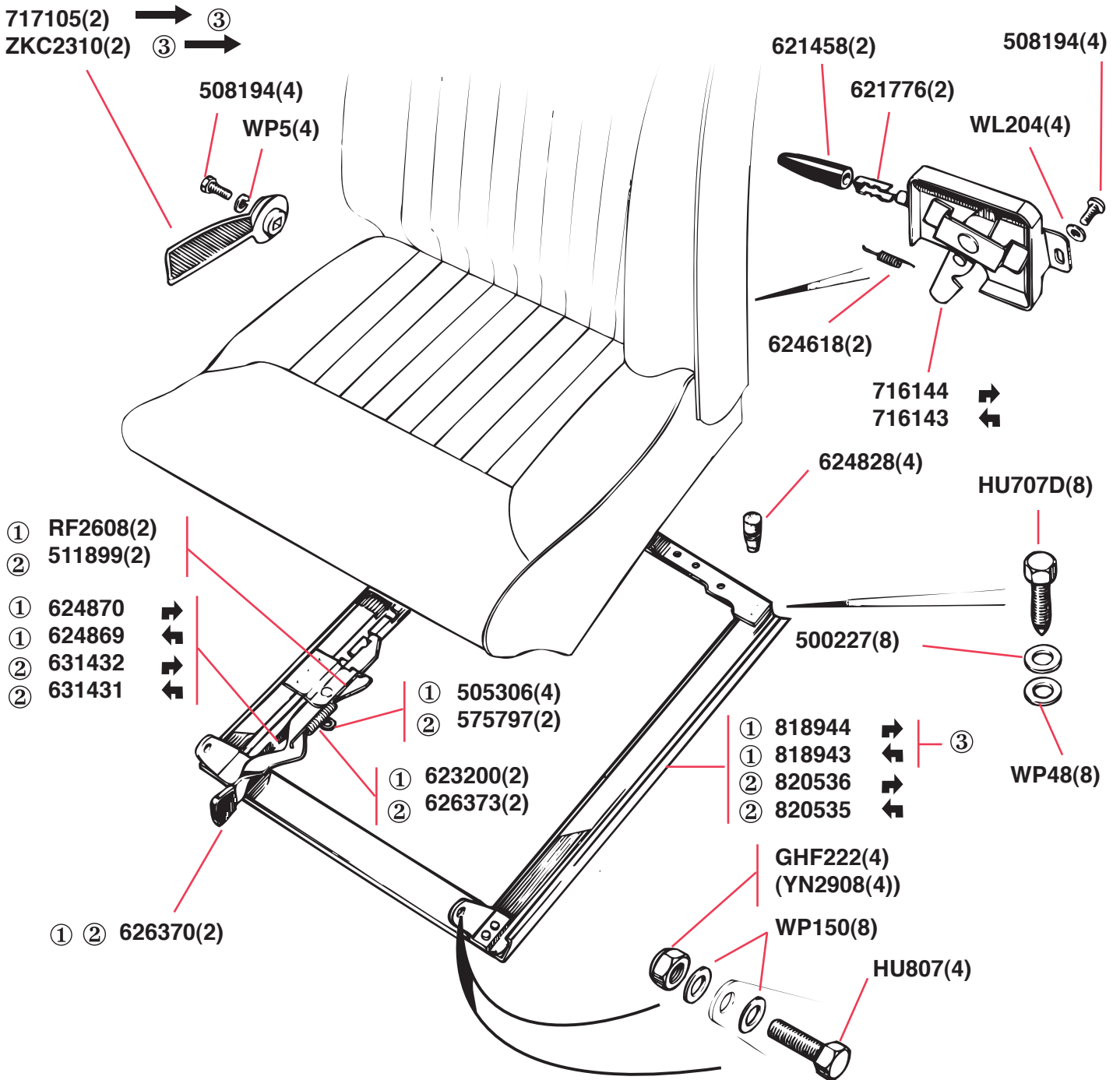
- ① Black
- ② Beige
- ③ Commission no.FM75546 Approximately.

## INTERIOR—Seat Cover Kits



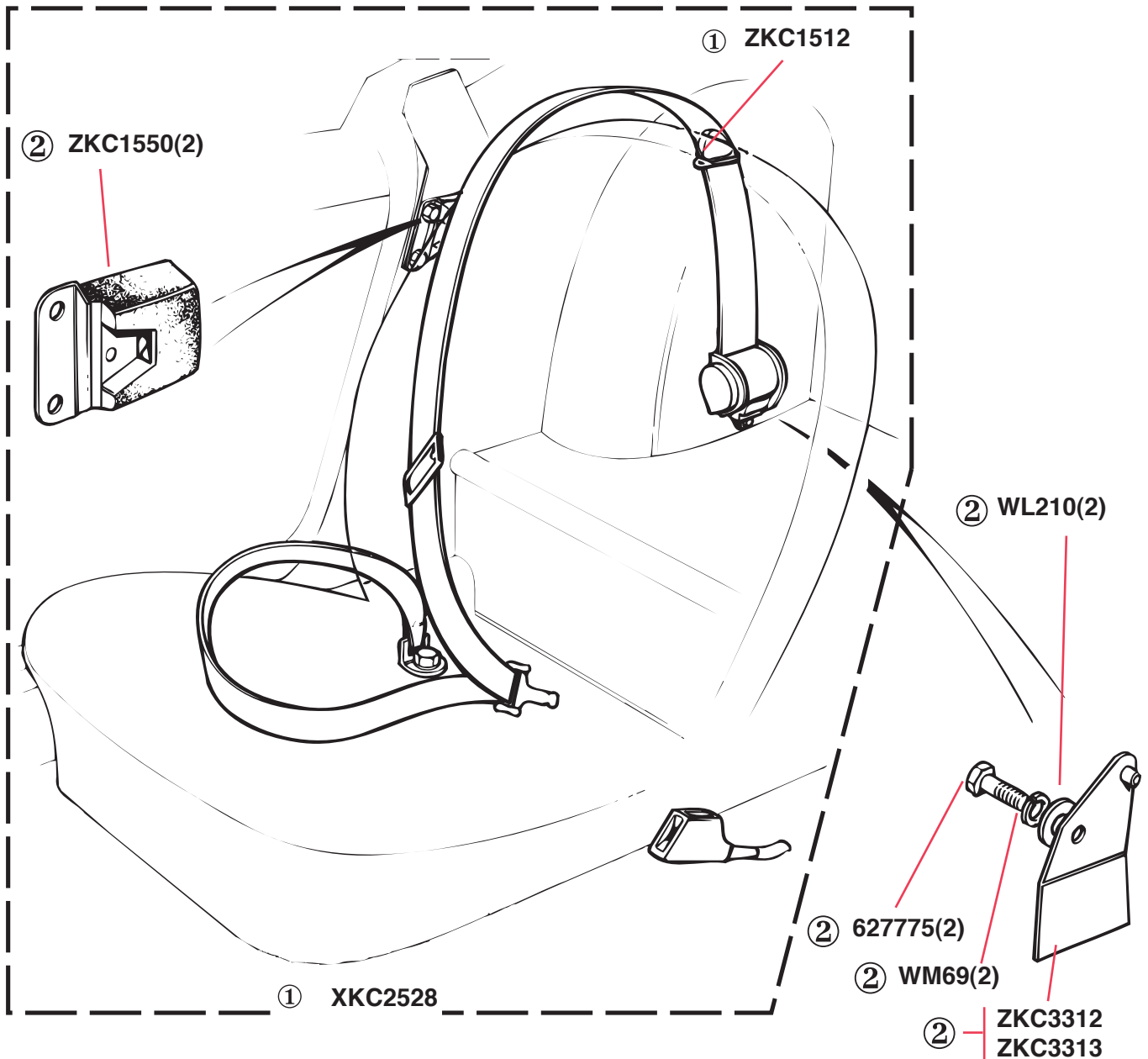
Part No.	Description
	<b>SEAT REUPHOLSTERY KITS</b> , Spitfire 1500 up to comm. no. FM60006, 1973-76, low-back seats with separate headrests, all vinyl, one kit does both seats
GTSRK95/BLK	<b>Seat Reupholstery Kit</b> , vinyl, black
GTSRK95/RED	<b>Seat Reupholstery Kit</b> , vinyl, matador red
GTSRK95/BLU	<b>Seat Reupholstery Kit</b> , vinyl, shadow blue
GTSRK95/NTN	<b>Seat Reupholstery Kit</b> , vinyl, new tan
GTSRK95/BGE	<b>Seat Reupholstery Kit</b> , vinyl, beige
GTSRK95/CNT	<b>Seat Reupholstery Kit</b> , vinyl, chestnut
	<b>SEAT FOAM AND STRAP KITS</b> , Spitfire 1500, 1973-76
SFK95	<b>Seat Foam Kit</b>
RFK1205	<b>Seat Strap Kit</b> , seat backs
	<b>SEAT REUPHOLSTERY KITS</b> , Spitfire 1500, after comm. no. FM60006, 1977-80, low-back seats with separate headrests, hounds tooth cloth center sections on seat faces
GTSRK96/BLK	<b>Seat Reupholstery Kit</b> , black
GTSRK96/BGE	<b>Seat Reupholstery Kit</b> , beige
	<b>SEAT FOAM AND STRAP KITS</b> , Spitfire 1500, 1977-80
SFK96	<b>Seat Foam Kit</b>
RFK1205	<b>Seat Strap Kit</b> , seat backs
	<b>HEADREST ASSEMBLIES</b> , 1973-80
919071	<b>Headrest Assembly</b> , black
923083	<b>Headrest Assembly</b> , new tan
919073	<b>Headrest Assembly</b> , chestnut
919077	<b>Headrest Assembly</b> , shadow blue
919072	<b>Headrest Assembly</b> , matador red
919074	<b>Headrest Assembly</b> , beige

## INTERIOR—Seat Slides, Safety Catches, and Adjusting Handle



- ① Hallam Sleigh, and Cheston type (This is a brand name).
- ② A.W. Chamman type (This is a brand name).
- ③ No intelligible meaning for this designation is given in any of the factory catalogues.

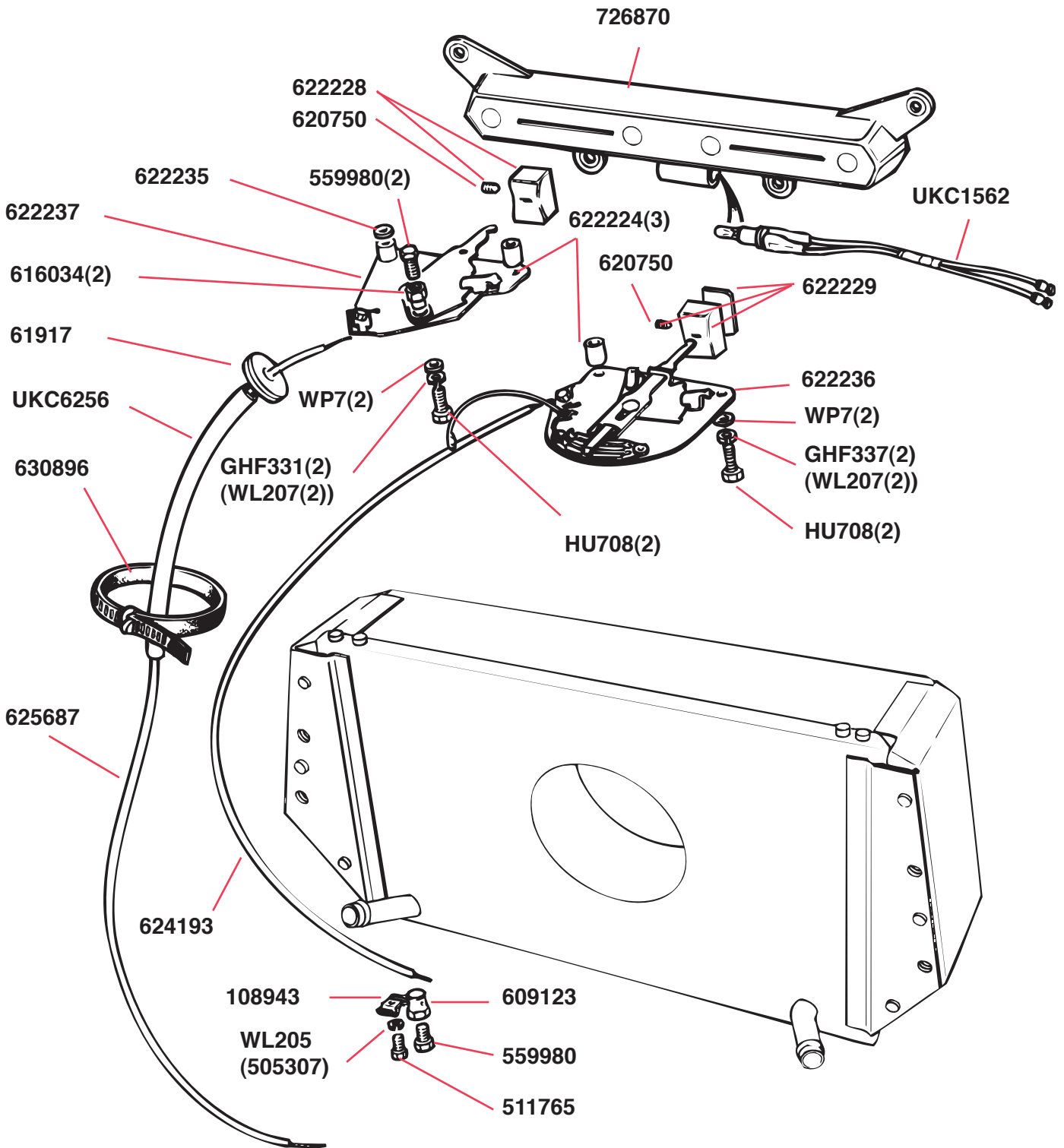
**INTERIOR—Safety Belts, Automatic**



Part No.	Description
719912	Seat Belt, three-point, non retractable; fits all Spitfire
TRFSB102	Seat Belt, two-point lap belt,

- ① Fitted to all markets from comm. no. FM46412, to be used as a replacement for all automatic safety belts.
- ② U.S.A. only.

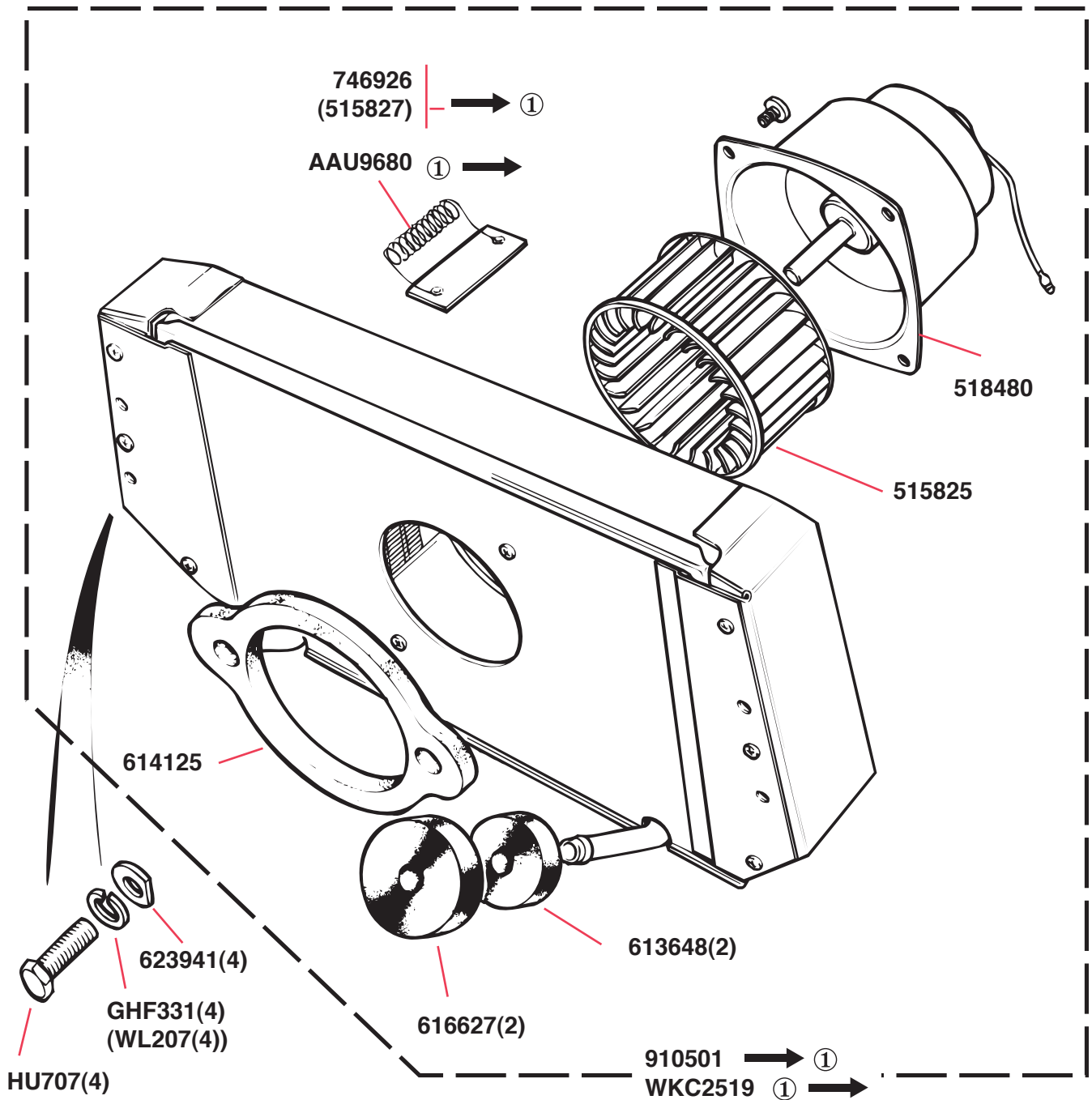
## INTERIOR—Heater Controls



LULLB286, Bulb not included with socket

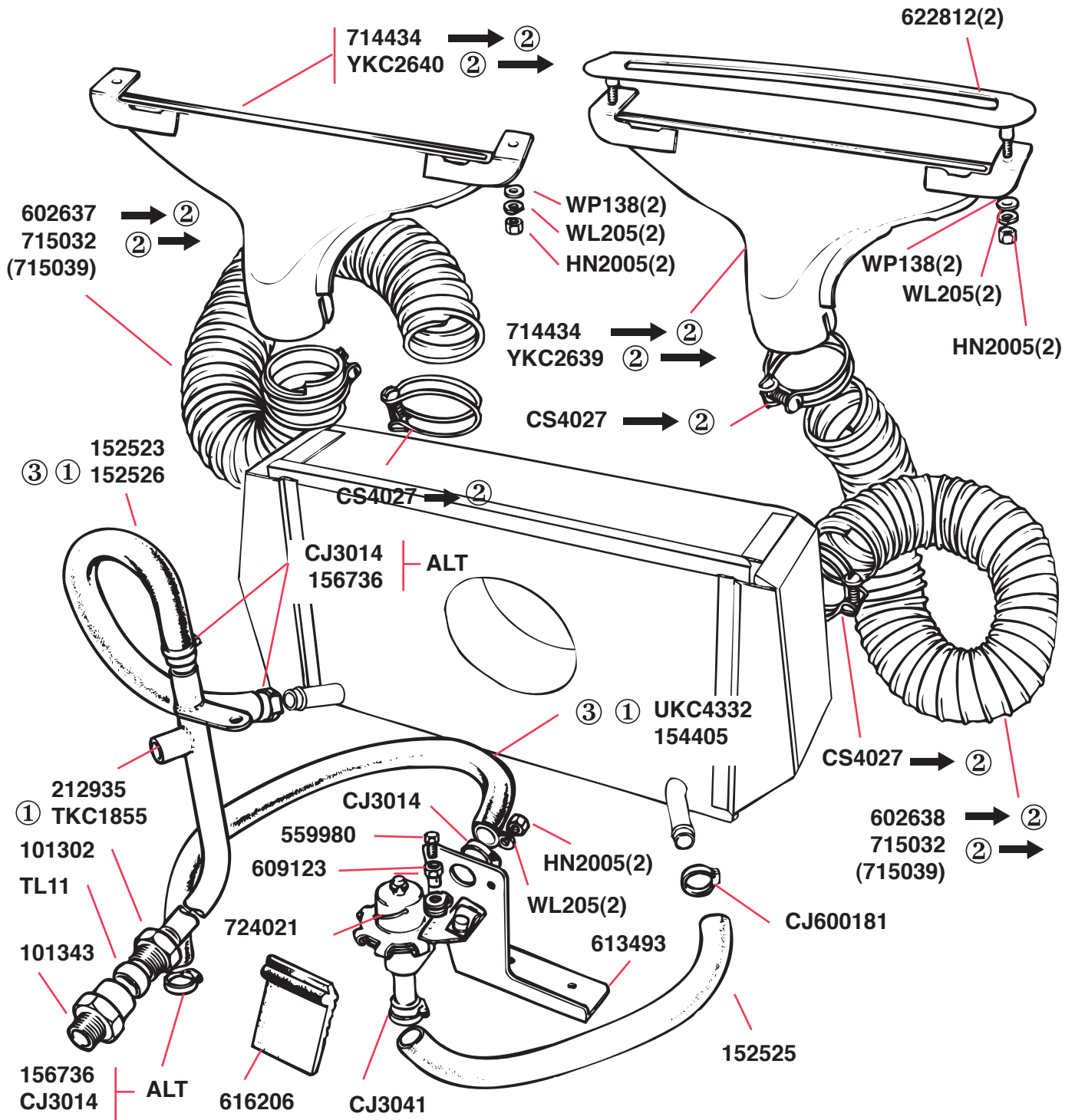


## INTERIOR—Heater Unit



① Mid 1976 model year.

## INTERIOR—Heater Hoses, Pipes, and Demister Nozzles

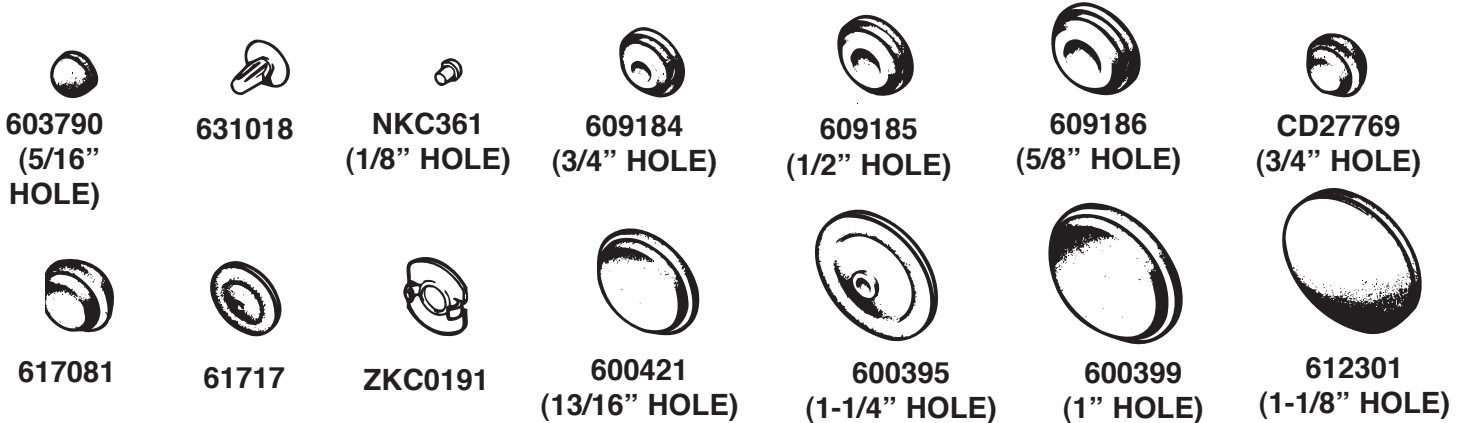


1 U.S.A. California catalyst.

2 Mid 1976 model year.

3 U.S.A. federal models from commission no. FM60006

## RUBBER PLUGS/GROMMETS—Blanking Plugs and Grommets



## Blanking Plugs and Grommets—List of Applications

Pt. No.	Description	Qty.	Req. Remarks
600399	Plug, main door (1" hole) Paint Drainage Holes	4	
600399	Plug, main door (1" hole) Paint Drainage Holes	2	
600399	Plug, seat pan (1" hole) Paint Drainage Holes	3	
612301	Plug, seat pan (1" hole) Paint Drainage Holes	2	
CD25672	Plug, Heelboard Crossmember (1" hole) Paint Drainage Holes	2	
600398	Plug, sill panel (1/2" hole) Paint Drainage Holes	4	
600399	Plug, rear wheelarch, Outer (1" hole) Paint Drainage Holes	2	
600399	Plug, Heelboard Crossmember (1" hole) Paint Drainage Holes	2	
600421	Plug, floor hole (13/16" hole) Paint Drainage Holes	1	
HU0803	Screw, set, skid hole blanking	2	
WP0008	Washer, plain, skid hole blanking	2	
603790	Plug, rubber (5/16" hole) dash shelf panel	1	
61917	Grommet, water valve cable through dash shelf	1	
631018	Plug, blanking, rear bumper holes	2	Italy only
61917	Grommet, number plate cable entry rear valance	1	
600421	Plug, door (13/16" hole)	4	
600398	Plug, blanking, bulkhead	1	
600399	Plug, blanking, trunk floor (Required when Evaporative Emission Control System is not fitted)	1	
PX0703	Set screw, fitted in bulkhead (L.H.S.)	1	When Dual Breaking is not fitted
WP0007	Washer, plain, on setscrew (L.H.S.)	1	
CD27769	Plug, rubber (3/8" hole) Heelboard panel	4	
61917	Grommet, choke cable (R.H.S)	1	
600398	Plug, blanking (L.H.S.)	1	
600396	Grommet, airbox, rev. counter cable	1	
158263	Label, approval, door locks, hinges and steering	1	Fitted up to Comm. No. FH.51096
600398	Plug, blanking, rear valance	1	
UKC0731	Label, approval, door locks, hinges and steering	1	U.S.A. only France. Fitted to all markets from FH.51097
ZKC0191	Plug, blanking, floor	1	
600398	Plug, blanking, 'A' post (1/2" hole)	1	
609184	Plug, trunk floor (3/8" dia)	1	U.S.A from Comm. No. FM.10001U
609185	Plug, trunk floor (1/2" dia)	1	
600399	Plug, rear valance lower(1" hole)	2	
600398	Plug, rear wings (1/2" hole)	2	
NKC0361	Rivet, wheel arches	4	