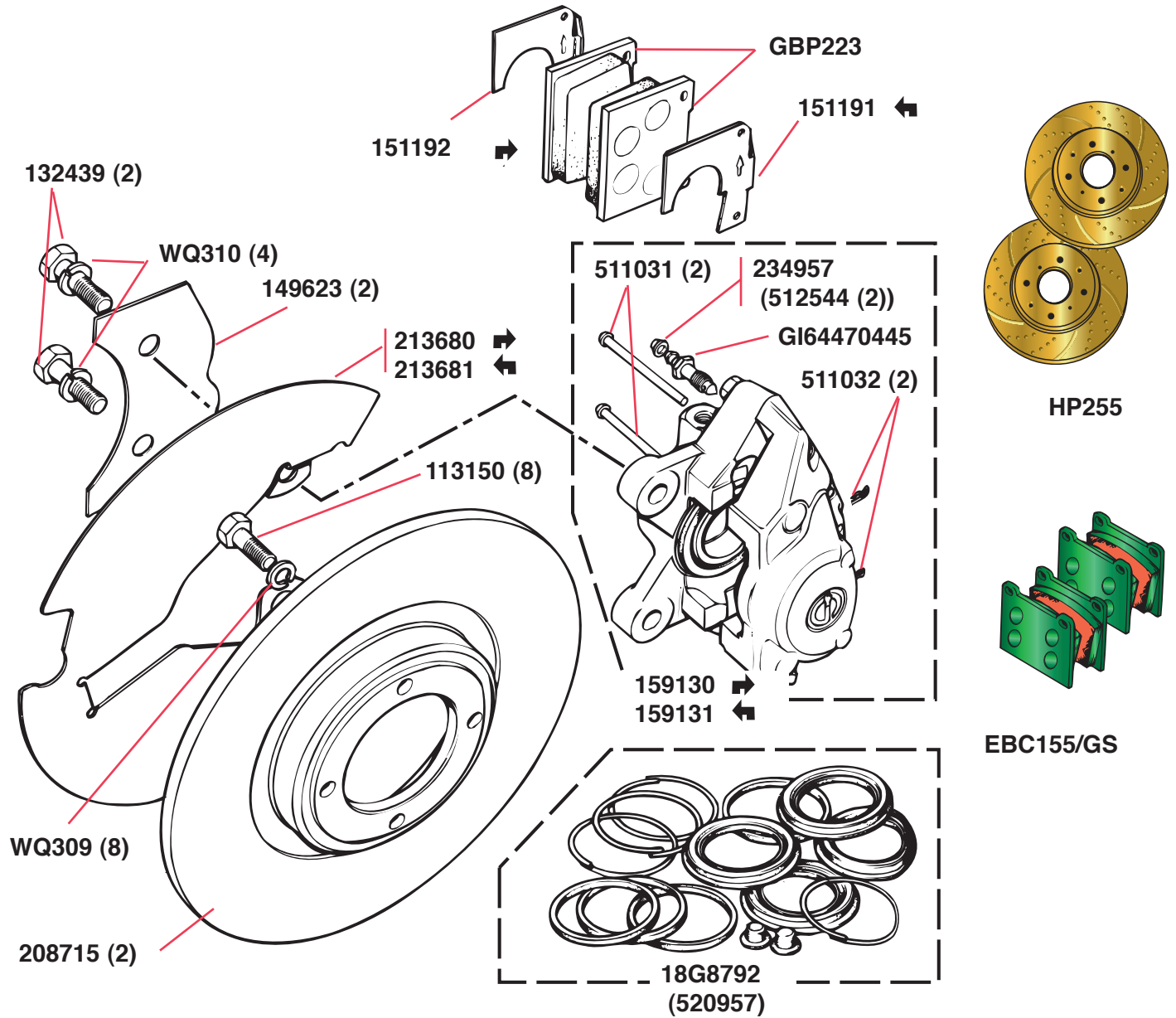
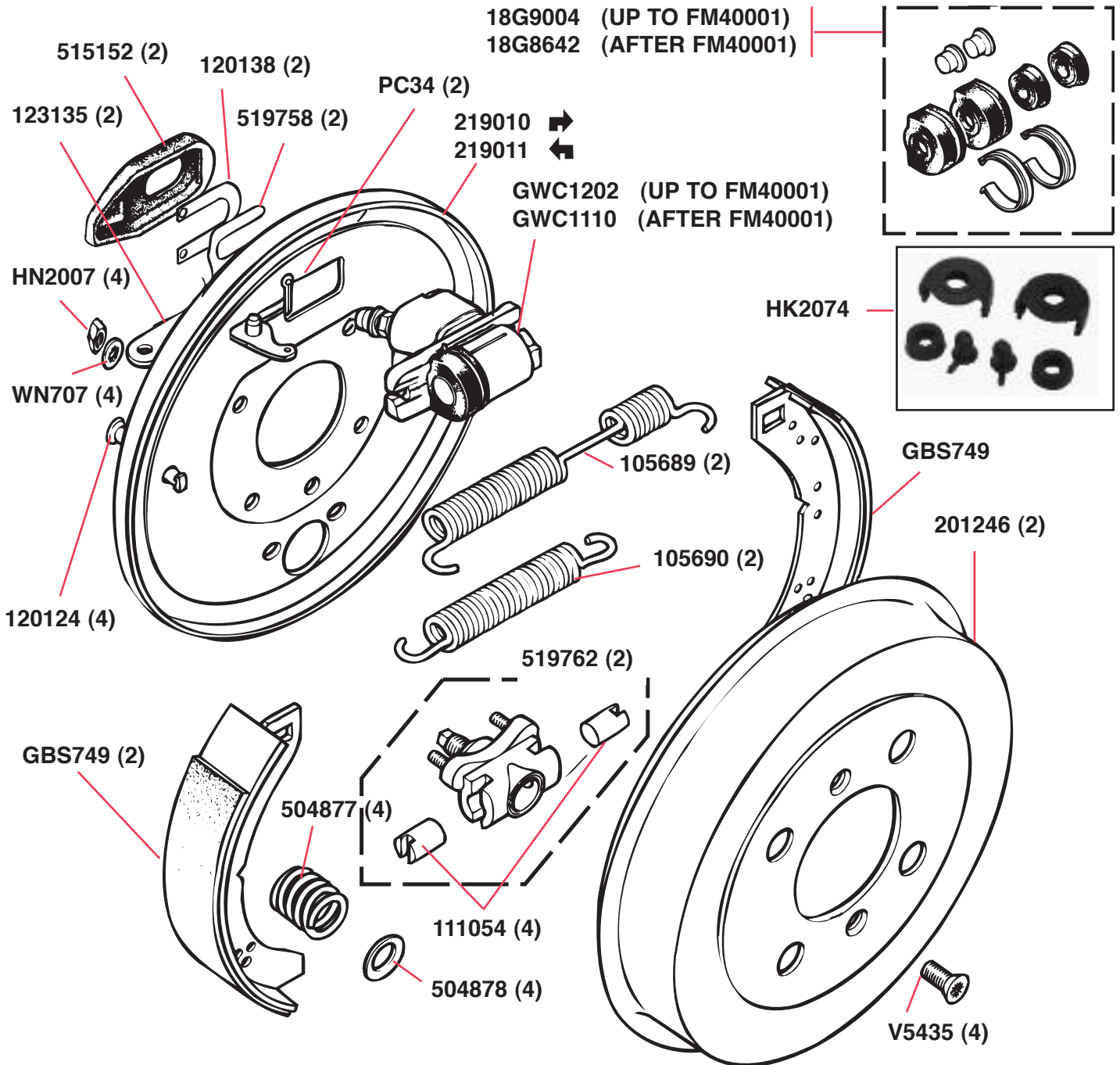


## BRAKES—Front Disc Brake Assembly



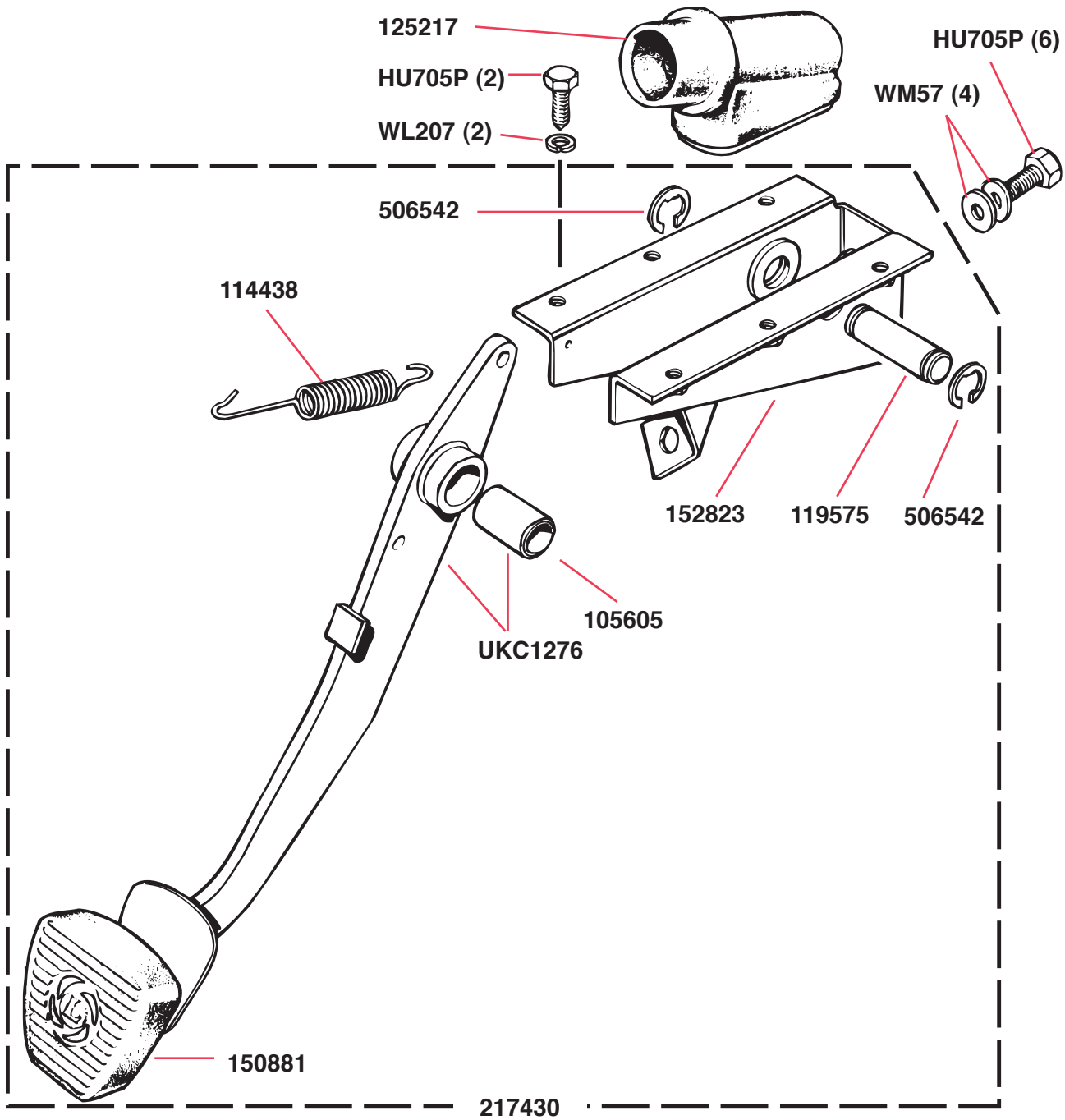
Part No.	Description
GI32320329	<b>Caliper piston</b> , 4 required
EBC155/GS	<b>Brake Pad Set</b> , Green Stuff, Spitfire mks.3, 4, 1500, 1 required
HP255	<b>Brake Disc Kit</b> , EBC, all Spitfires, 1 required
TRFCD155	<b>Brake Pad Set</b> , Spitfire mks. 3, 4, 1500, semi-metallic type, 1 required
RFK848	<b>Retaining Kit; includes</b> pins and clips, Spitfire mks. 1, 2, 3, 4, 1500, 1 required
GISP2748	<b>Anti-squeal Shim Kit</b> , Spitfire mks. 3, 4, 1500, 1 required
GISP2697	<b>Caliper Rebuild Kit</b> , Spitfire mks. 3, 4, 1500, 1 required

## BRAKES—Rear Brake Details

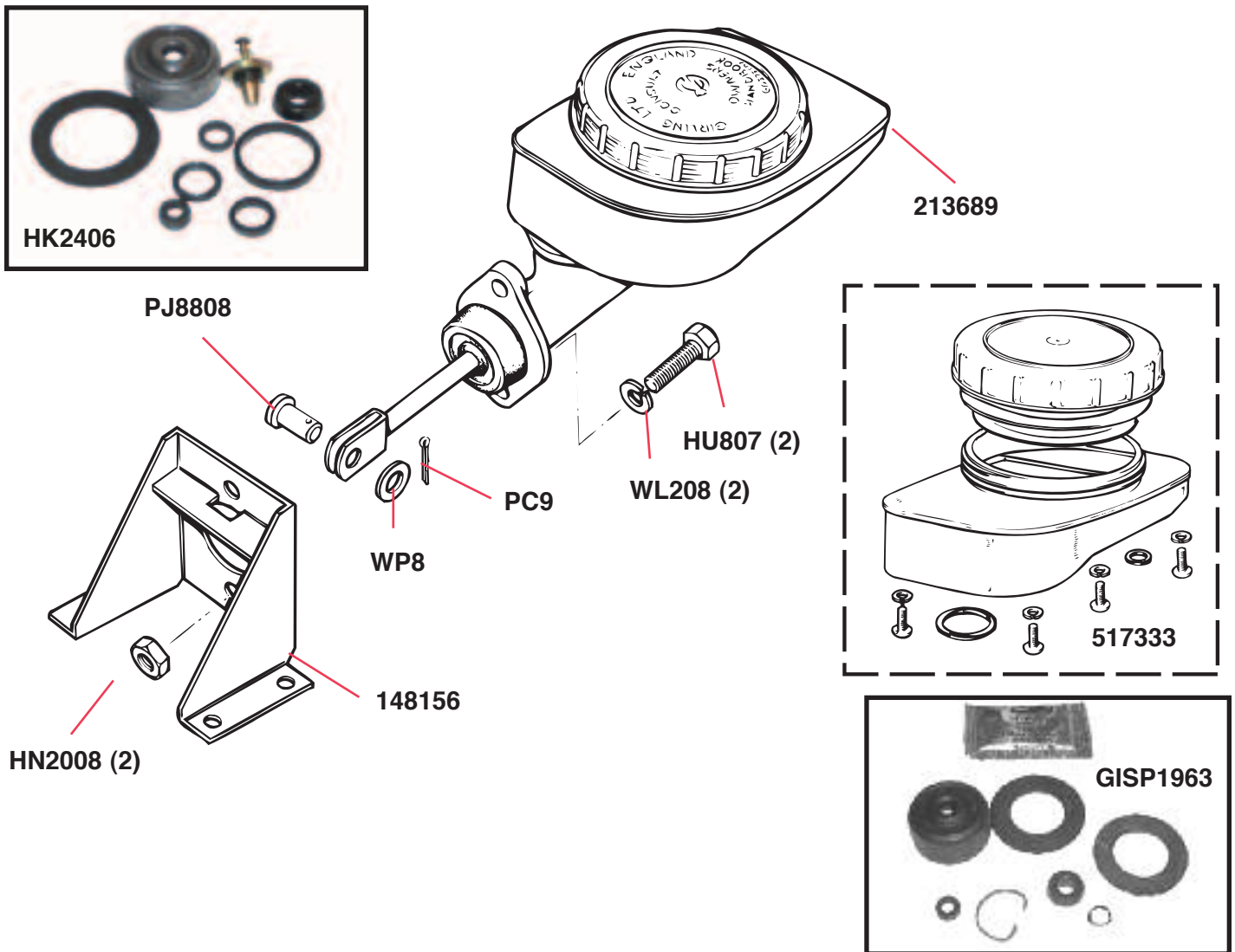


Part No.	Description
GI64470444	<b>Bleed screw</b> , Wheel Cylinder
GISP2861	<b>Wheel Cylinder Fitting Kit</b> ; Spitfires, does both sides, 1 required
GI390402	<b>Rear Wheel Cylinder</b> , Girling, Spitfire mk.4, 1500, 2 required
HK2074	<b>Repair Kit</b> , rear wheel cylinder, Girling, 5/8-inch bore, Spitfire mk.4, most 1500, 1 required
HK2087	<b>Repair Kit</b> , rear wheel cylinder, Girling, 0.7-inch bore, some Spitfire 1500, 1 required

## BRAKES—Brake Pedal Assembly

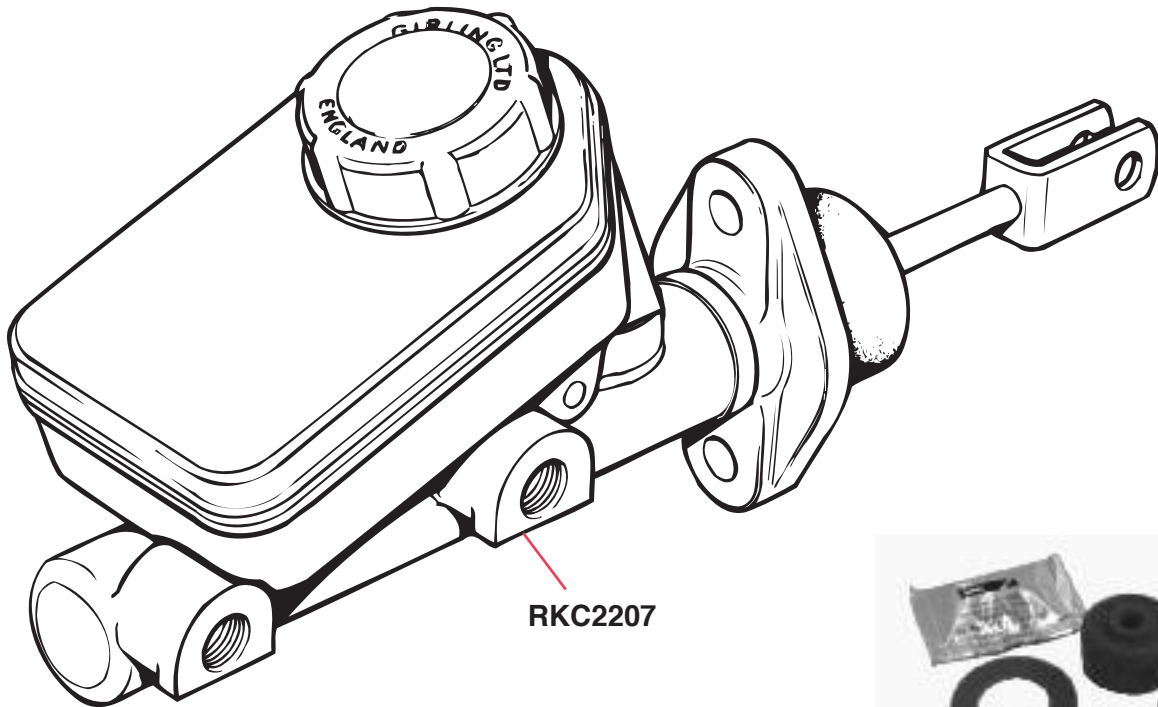


## BRAKES—Brake Master Cylinder Assembly—Tandem System U.S.A. Models Up To Commission No. FM40000



Part No.	Description
	<b>BRAKE MASTER CYLINDERS, Spitfires, 1963-67</b>
120308/TRW	Master Cylinder, brake, TRW brand
120308/CG	Master Cylinder, brake, quality reproduction
120308/REP	Master Cylinder, brake, reproduction
	<b>BRAKE MASTER CYLINDERS, Spitfires, 1968-75</b>
213689/TRW	Master Cylinder, brake, TRW brand
213689/REP	Master Cylinder, brake, reproduction
	<b>REPAIR KITS, Girling brake master cylinders,</b>
GISP1963	Repair Kit, brake master cylinder, Spitfire, 1963-67
HK2406	Repair Kit, brake master cylinder, Spitfire, 1968-75

## **BRAKES—** Brake Master Cylinder Assembly—Tandem System—U.S.A. Models After Commission No. 40001

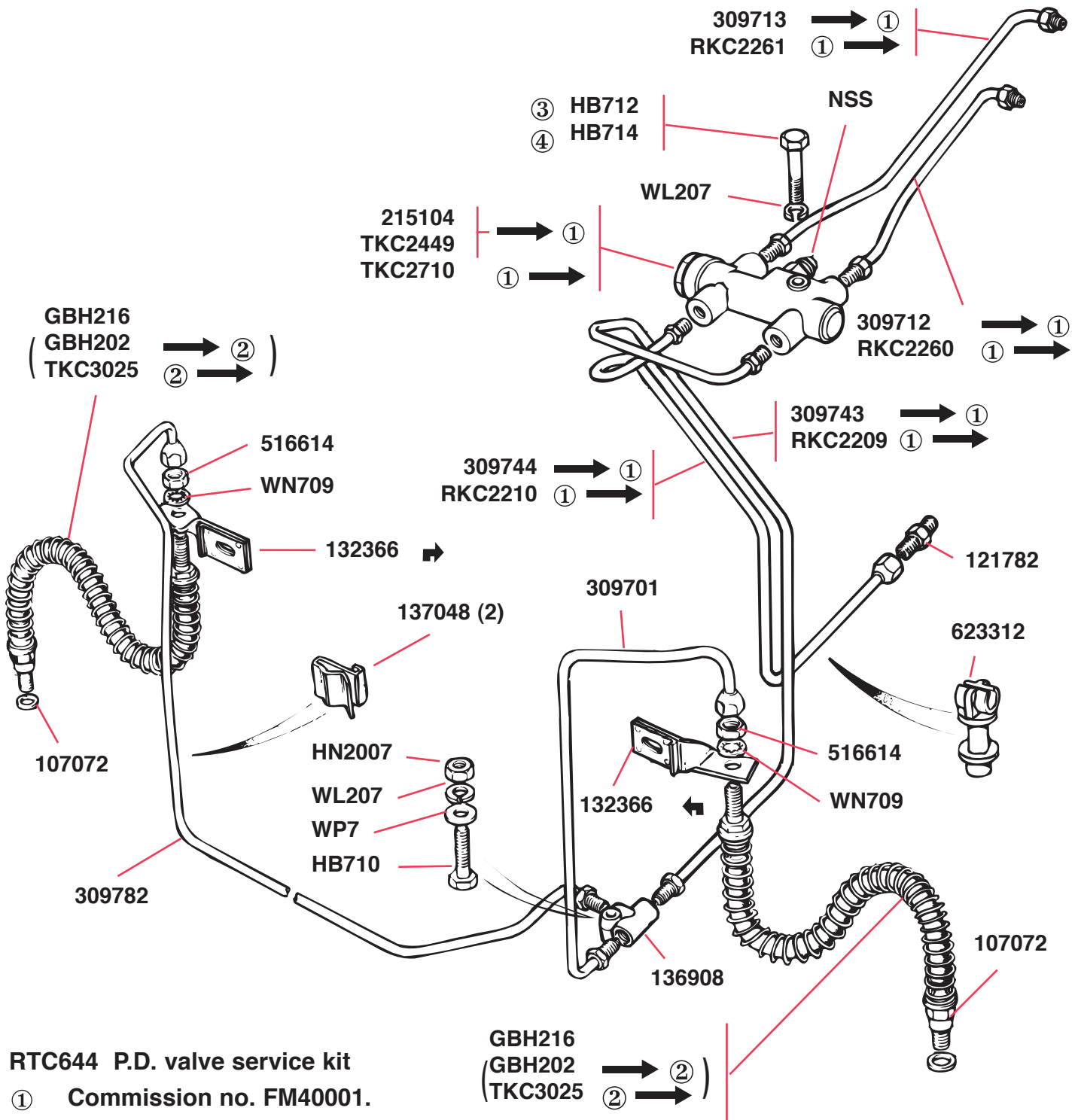


Part No.	Description
	<b>BRAKE MASTER CYLINDERS</b> , Spitfires, 1976-80
RKC2207/TRW	<b>Master Cylinder</b> , brake, TRW brand
RKC2207/CG	<b>Master Cylinder</b> , brake, quality reproduction
	<b>REPAIR KITS</b> , Girling brake master cylinders,
GISP7657	<b>Repair Kit</b> , brake master cylinder, Spitfire, 1976-80

### Service Kits Available:

Part No.	Description
AAU2850	<b>Master Cylinder Service Kit</b>
AAU3635	<b>Reservoir Service Kit</b>

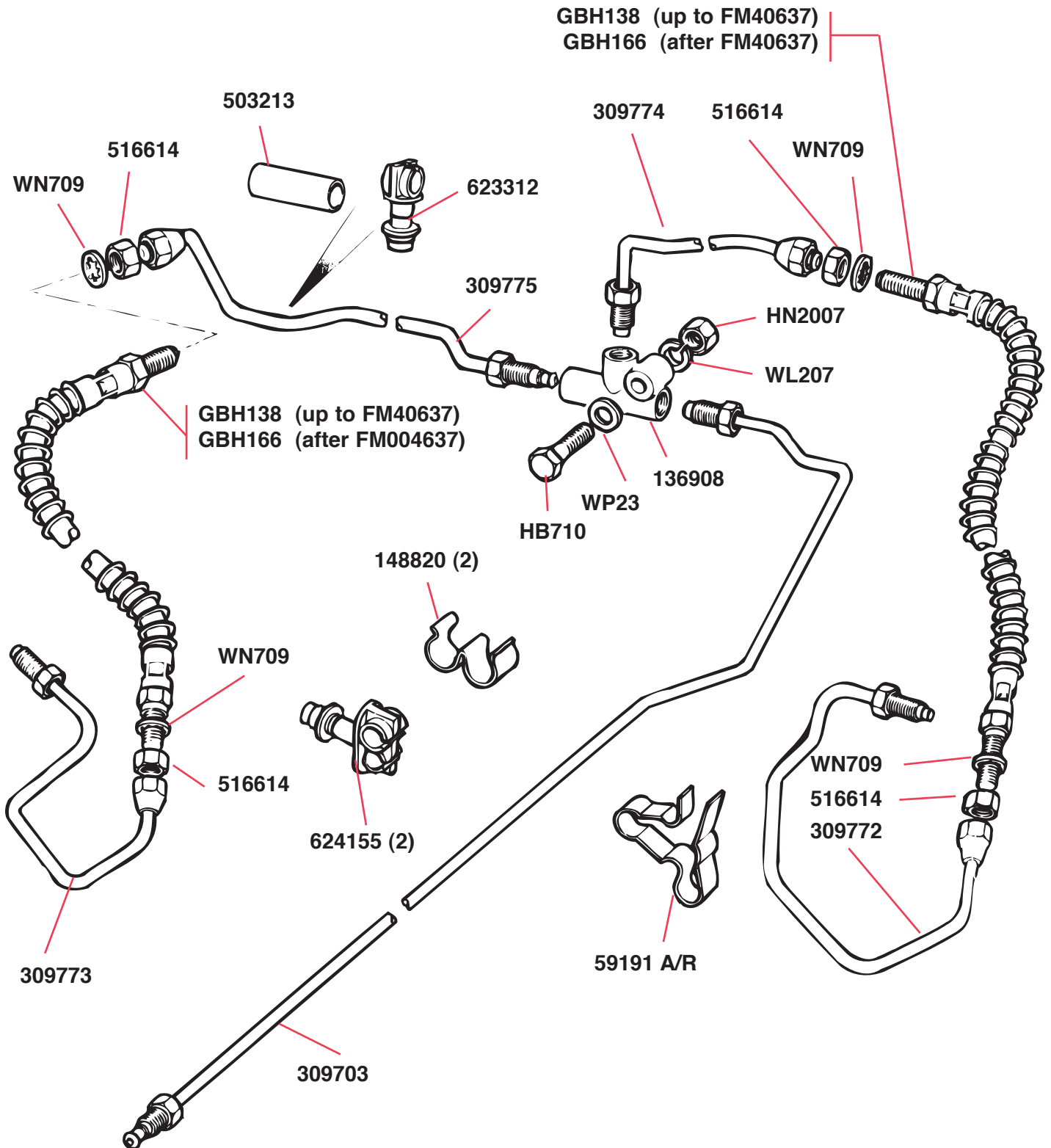
## BRAKES—Front Hydraulic Pipes—Left Hand Steer—Tandem System



RTC644 P.D. valve service kit

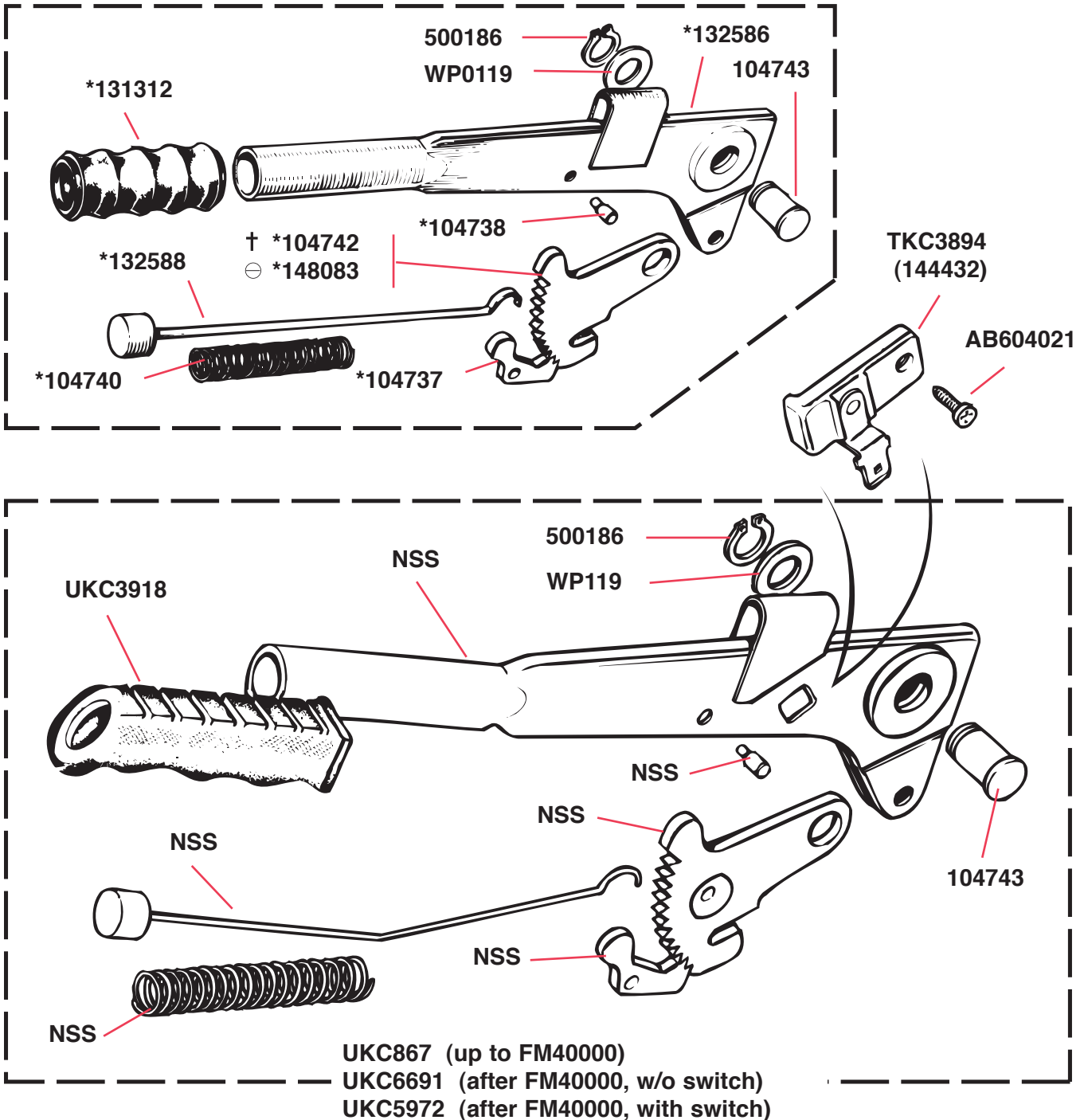
- ① Commission no. FM40001.
- ② Commission no. FM40637
- ③ For use with part no. 215104
- ④ For use with part no. TKC2449

## BRAKES—Rear Hydraulic Pipes—Left Hand Steer—Tandem System



## BRAKES—Handbrake Assembly

132589 Handbrake Assembly, Spitfire mk.4, and possibly, early 1500 (includes all items marked \*). This illustration was included mainly because it contains many part nos. for items that the later factory catalogues designated as “Not Supplied Separately”. At the time of writing, we believe that the internal components will fit the later handbrake.





## BRAKES—Handbrake Cables, Associated Details

