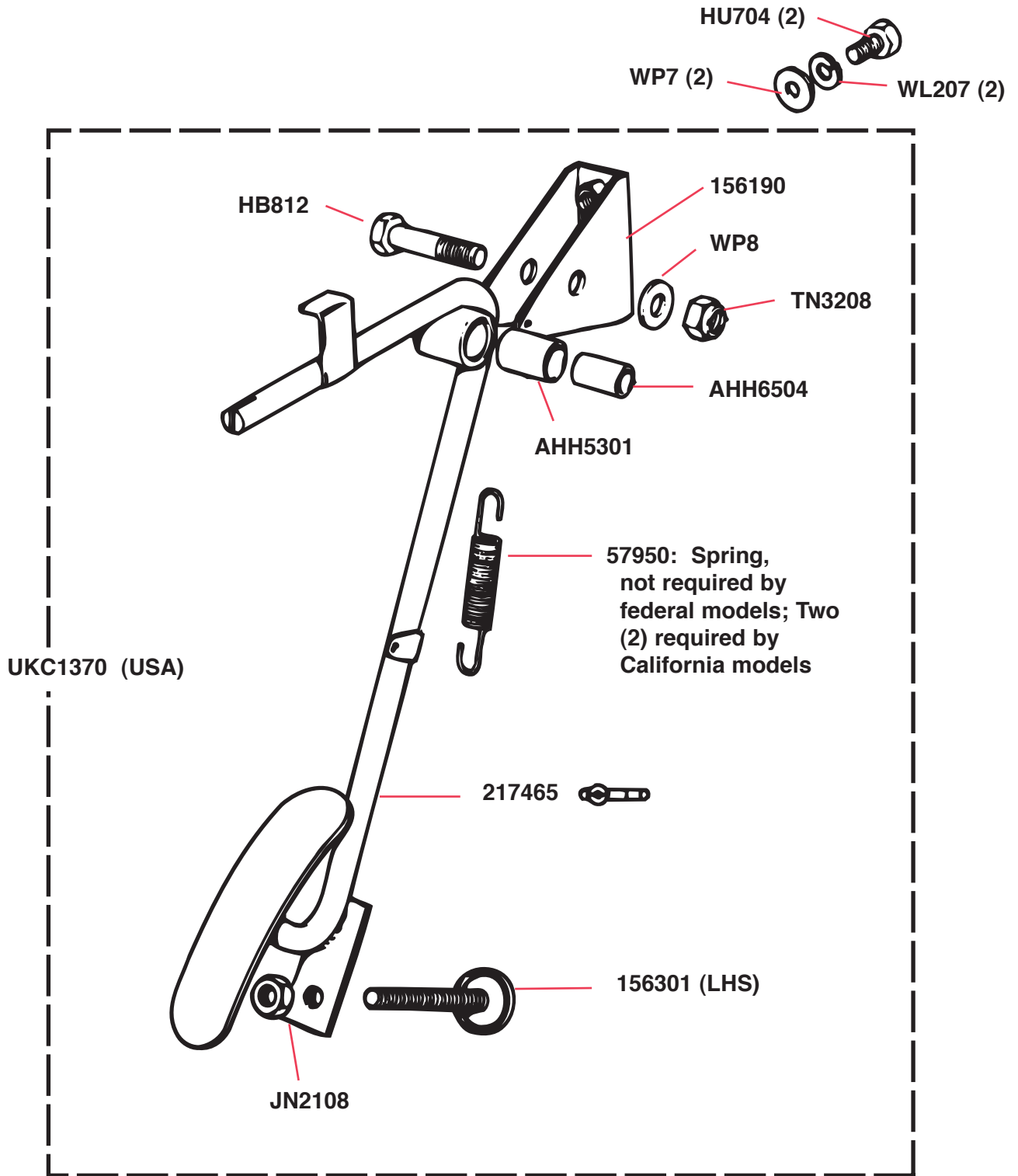
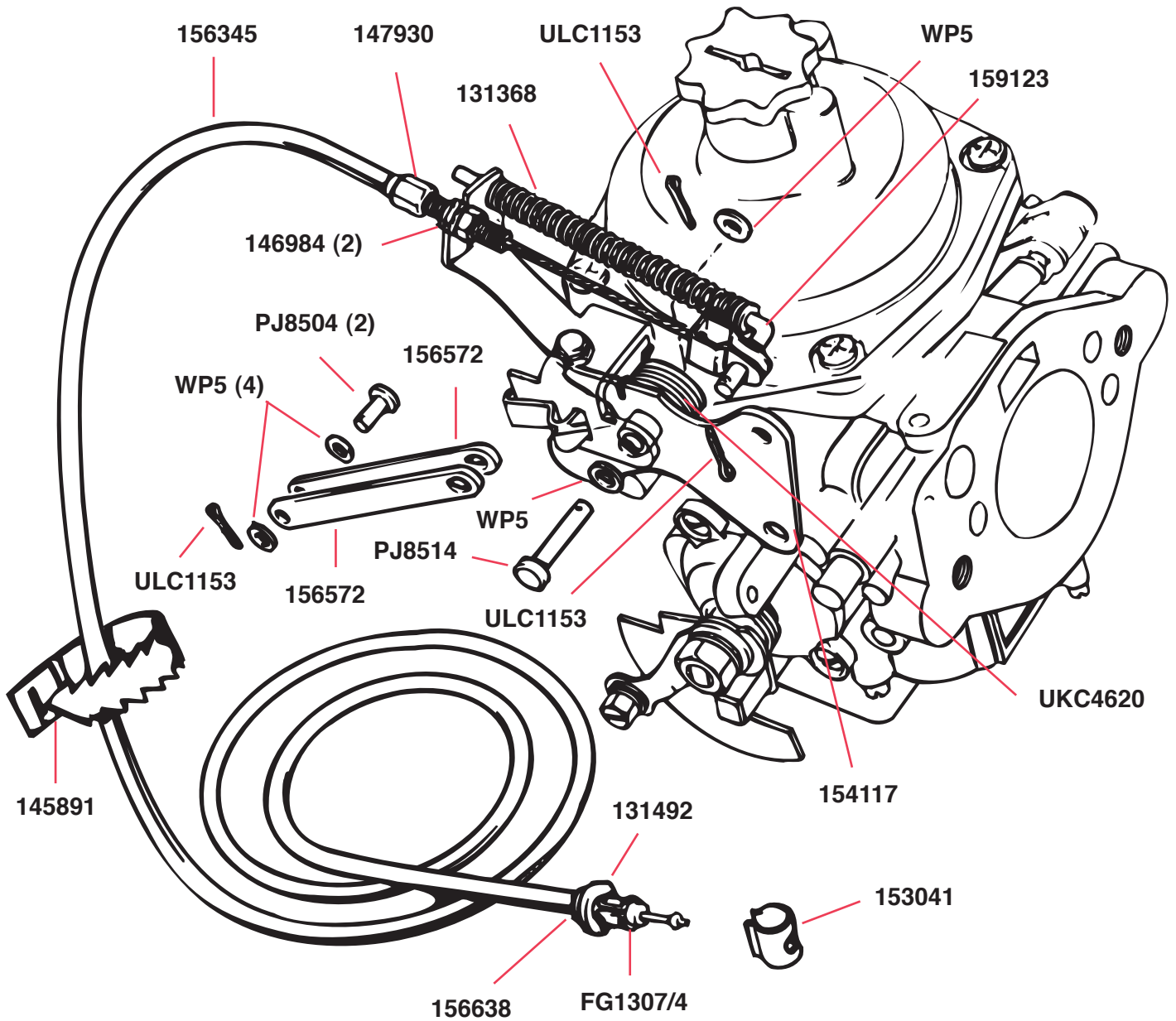


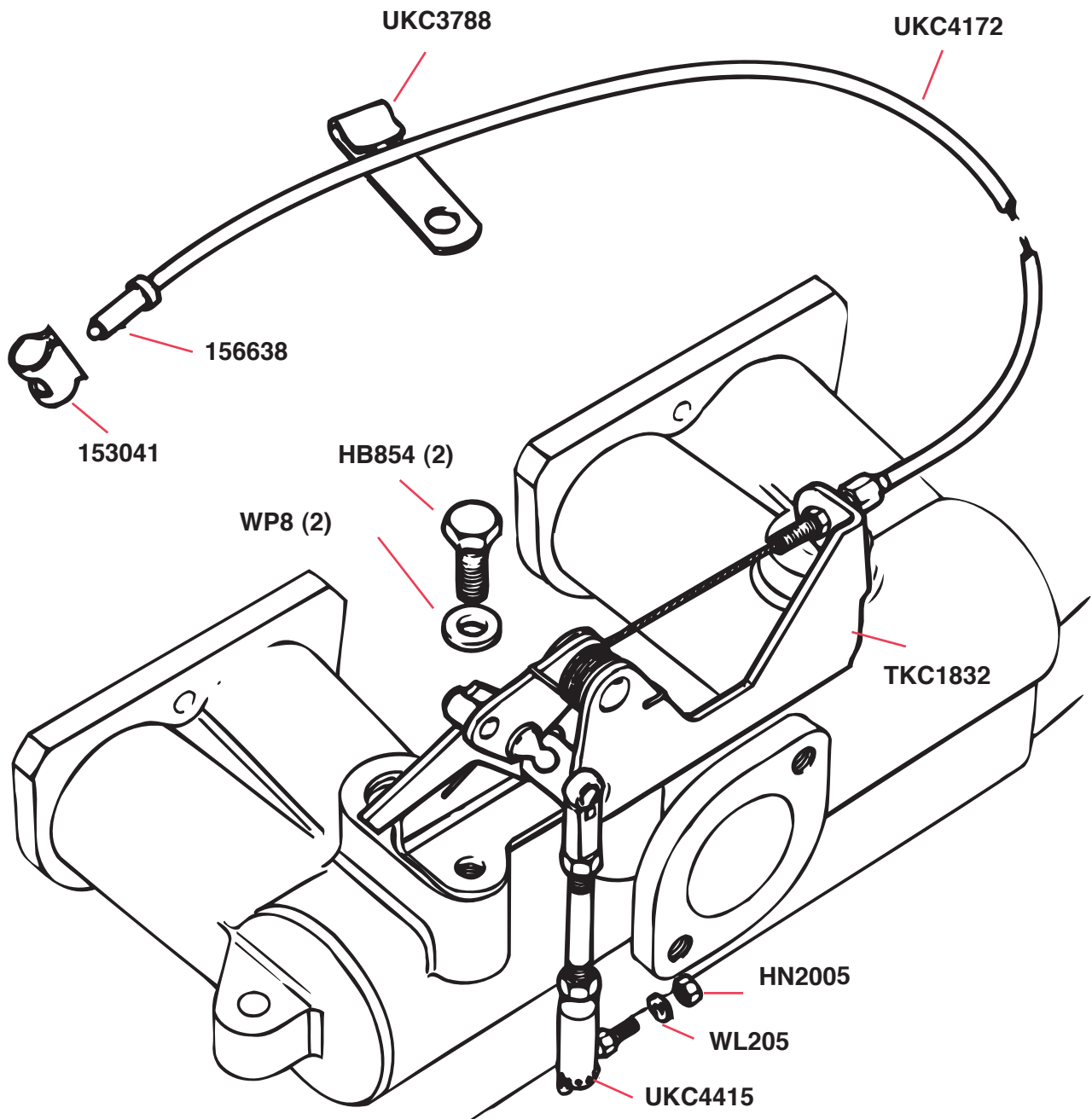
## ACCELERATOR—Accelerator Pedal



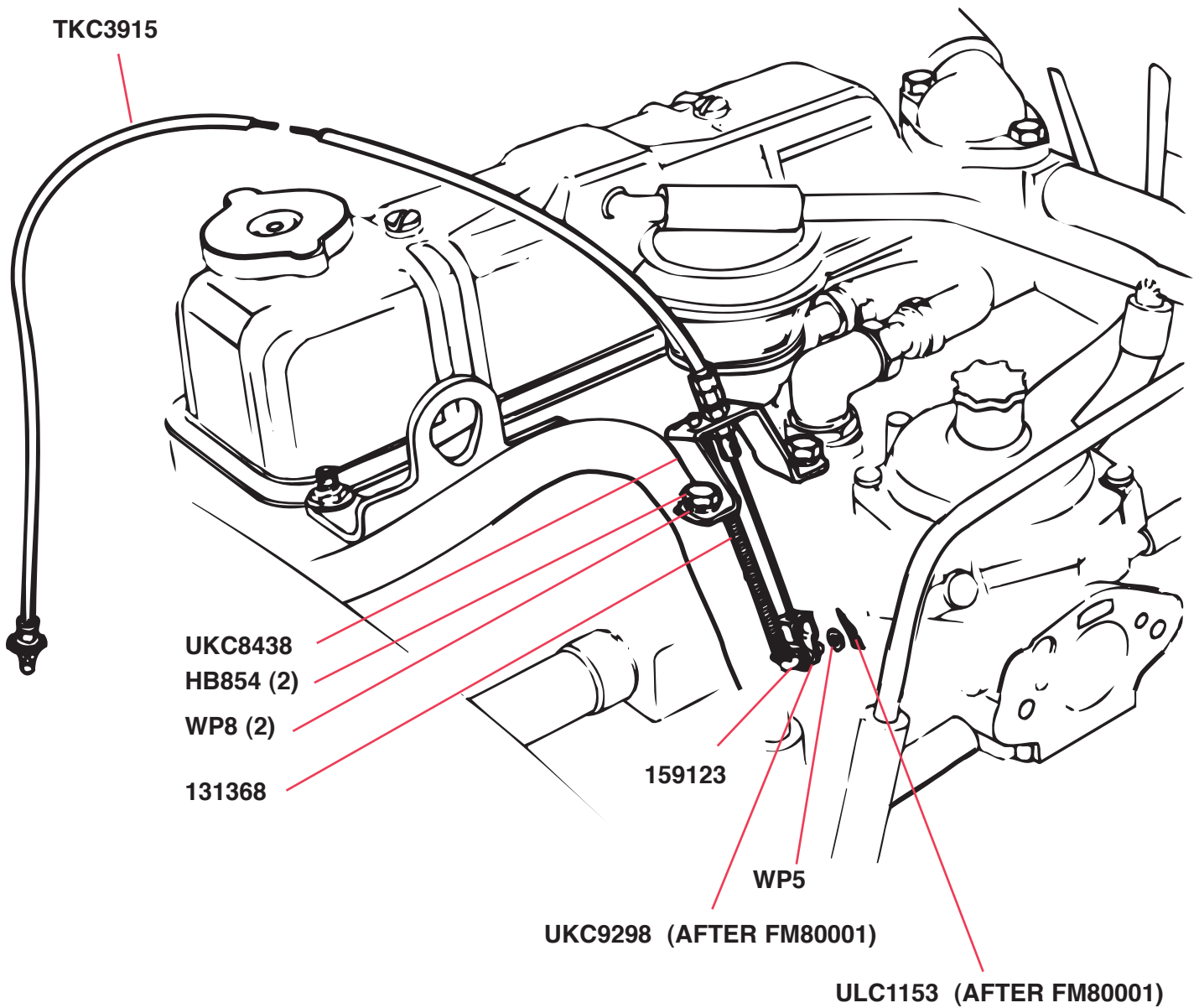
## ACCELERATOR—Accelerator Cable—U.S.A. Federal Models Up To Commission No. FM80001



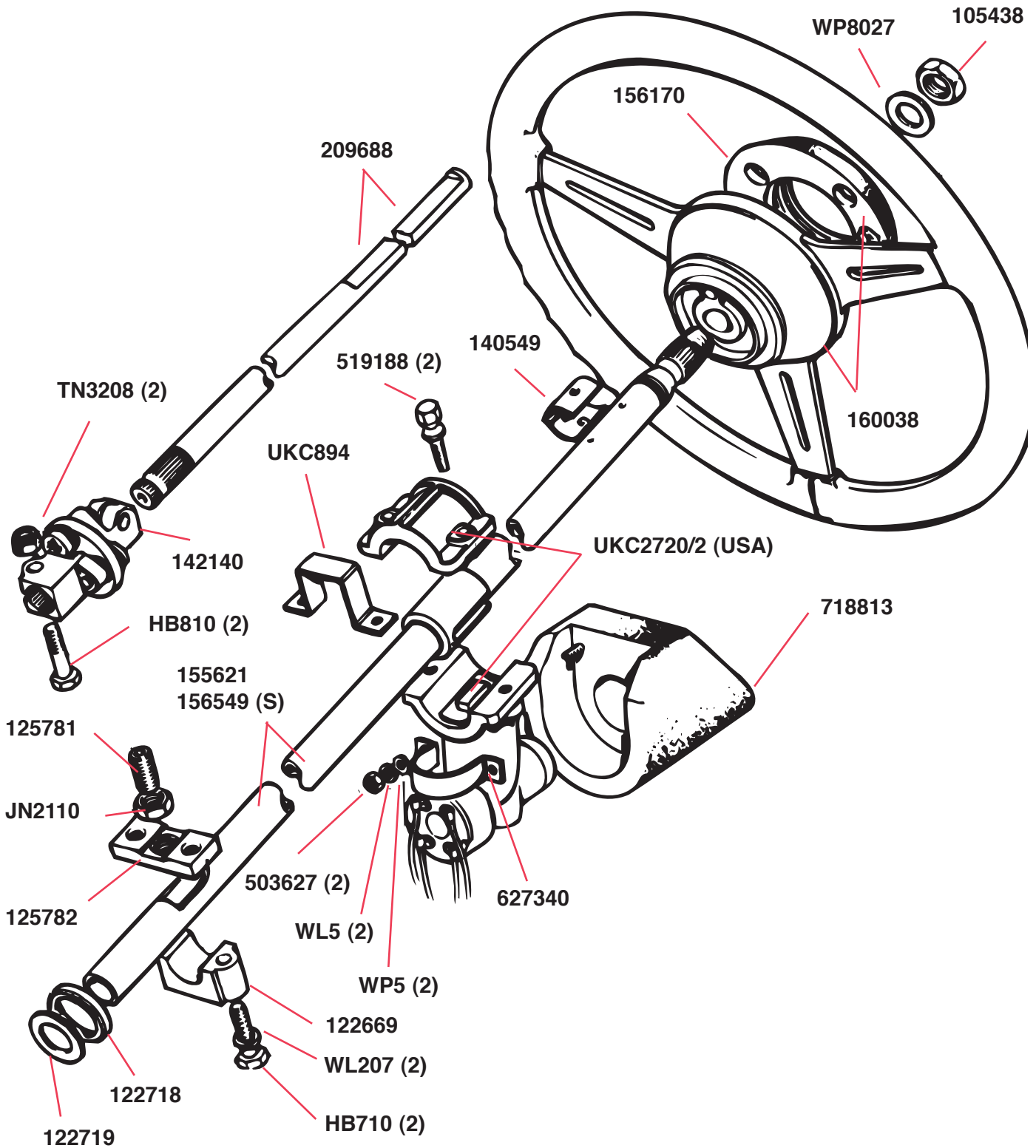
## ACCELERATOR—Accelerator Cable—U.S.A. California Models Up To Commission No. FM80001



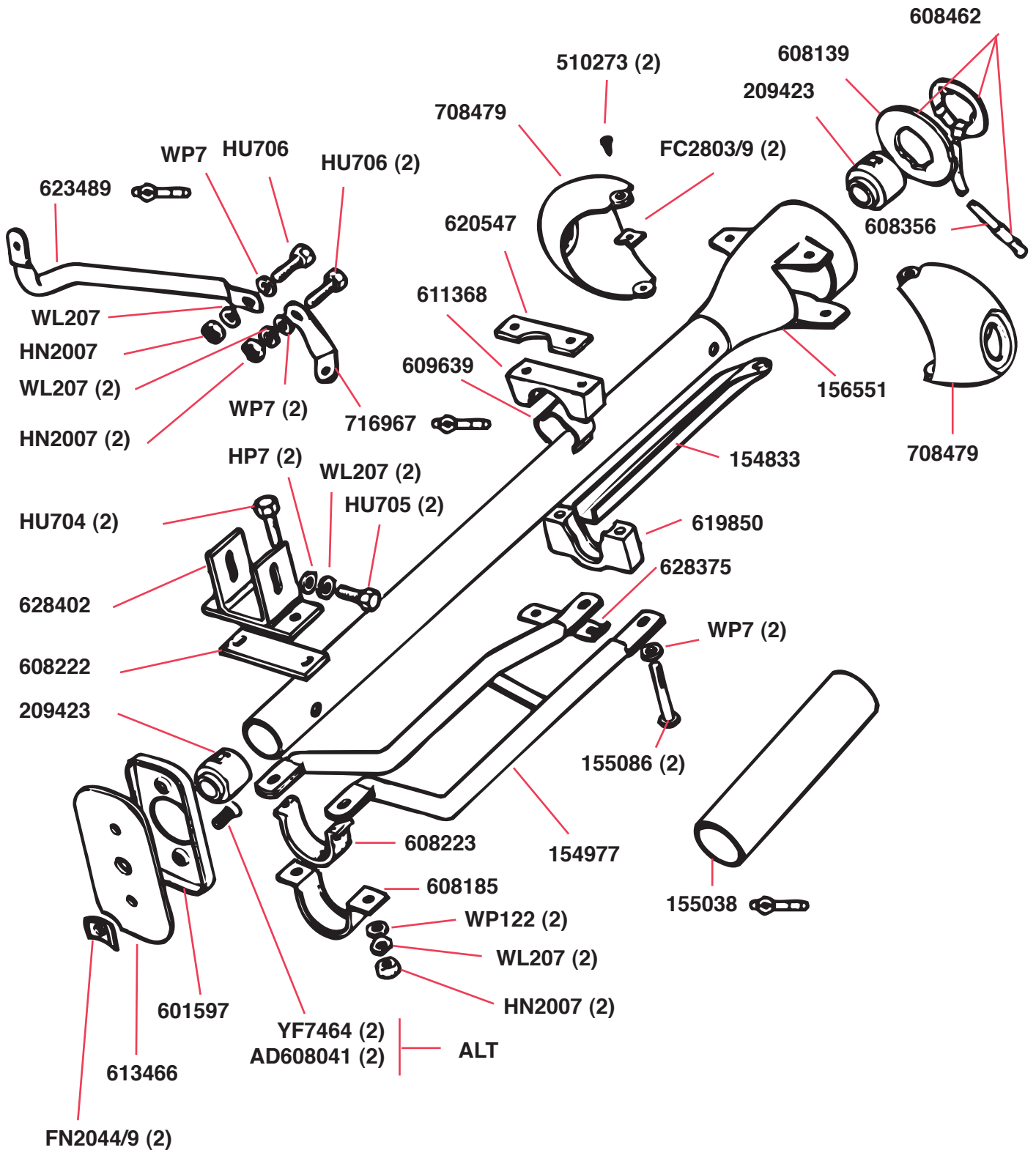
## ACCELERATOR—Accelerator Cable—All U.S.A. Models After Commission No. FM80001



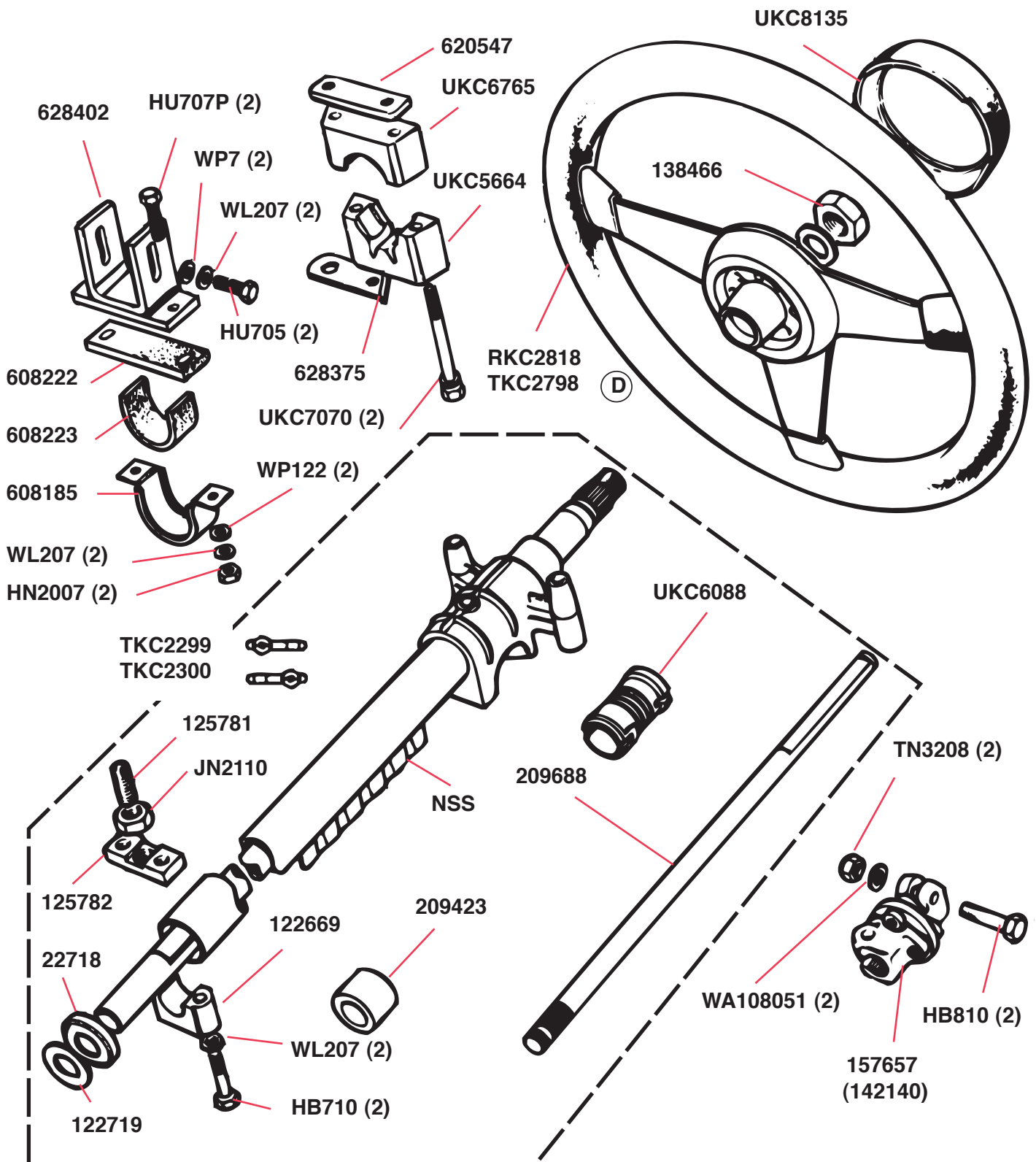
## STEERING—Steering Wheel and Columns—Up To Commission No. FM60006



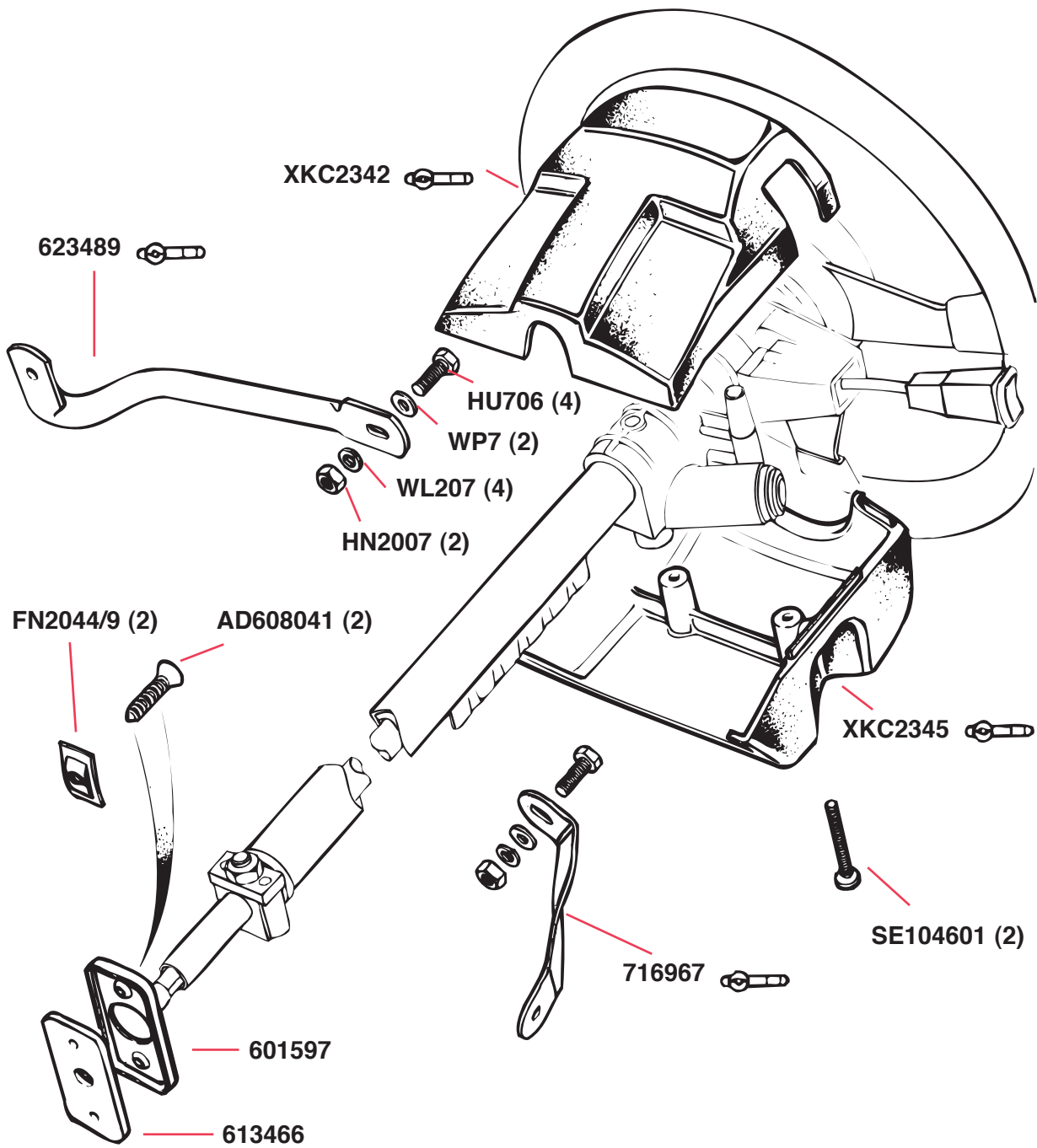
## STEERING—Steering Column Supports—Up To Commission No. FM60006



## STEERING—Steering Wheel and Columns—After Commission No. FM60006

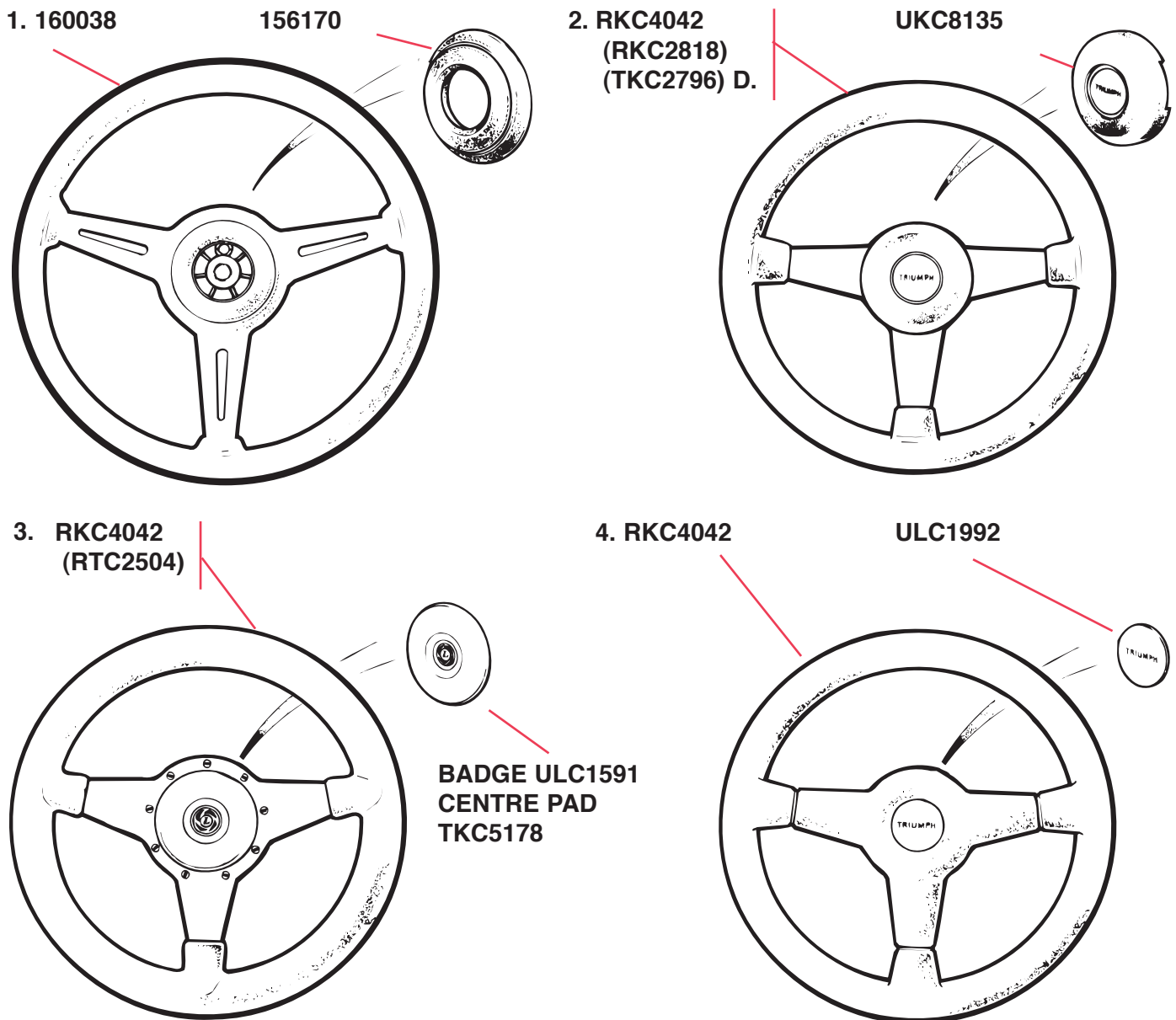


## STEERING—Nacelles and Bulkhead Fittings—After Commission No. FM60006





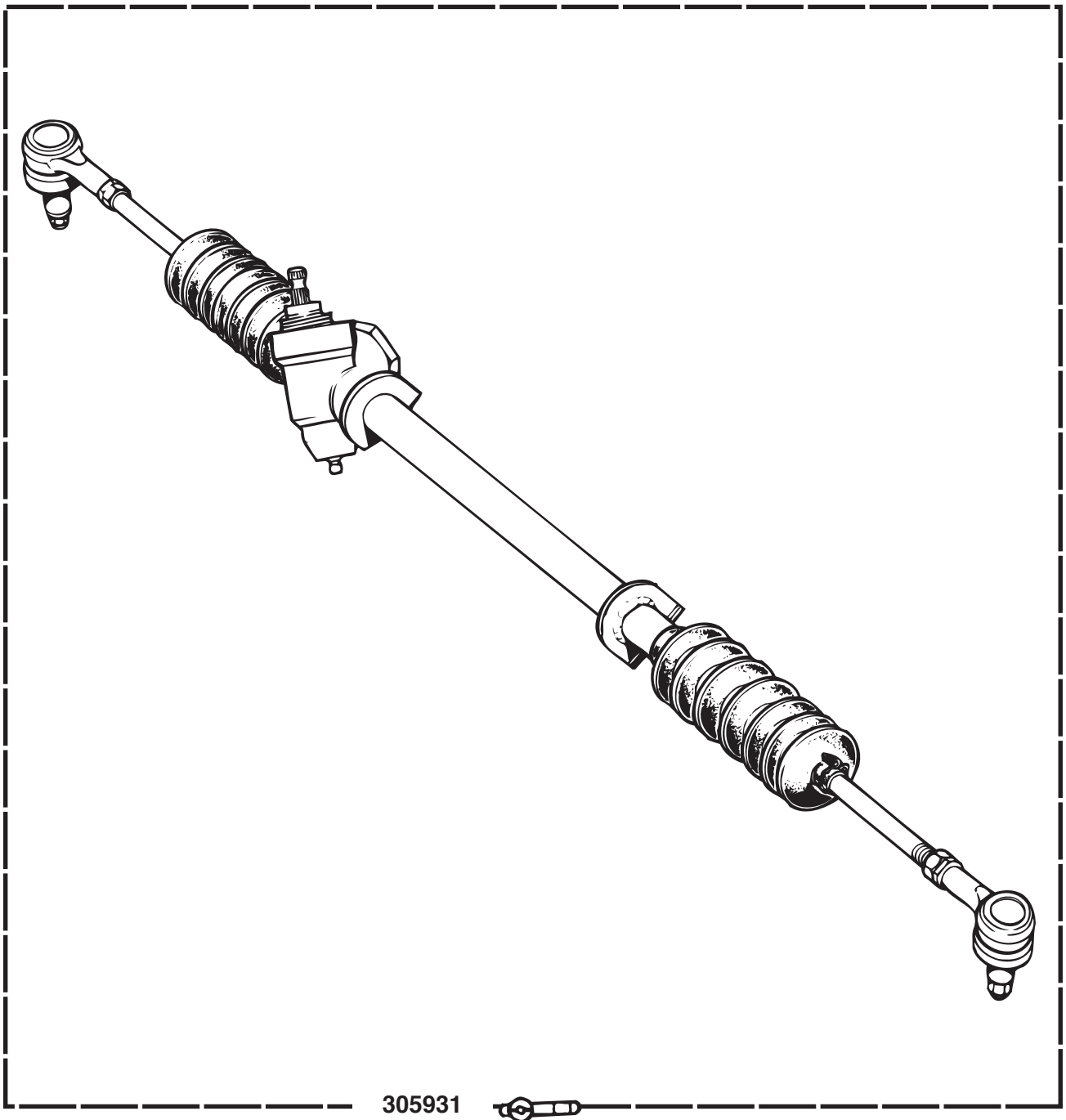
## STEERING—Steering Wheels—Summary and Supersessions



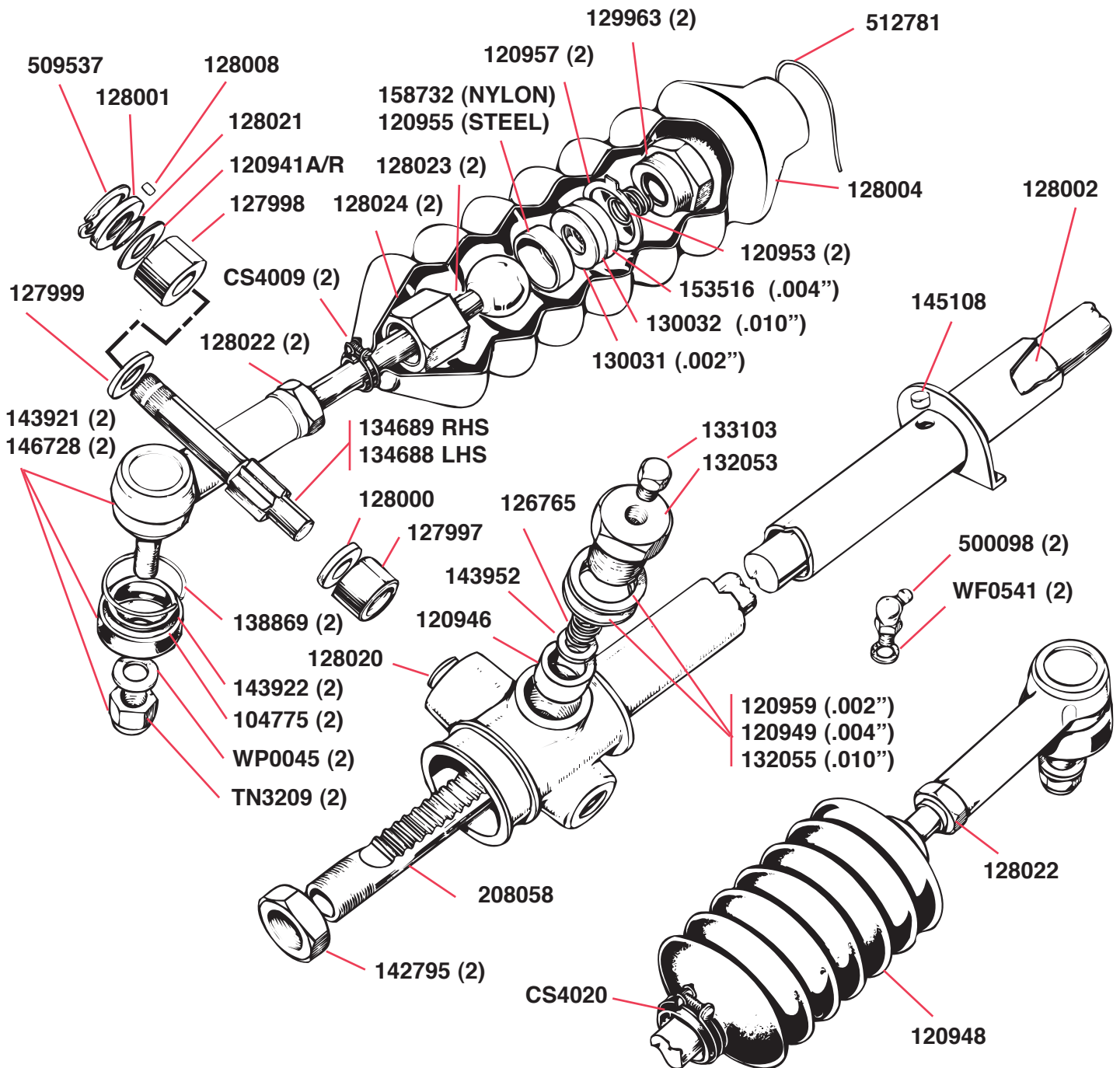
Original part numbers are given in parentheses; latest supersessions without parentheses. Latest supersession will very likely not be exactly like the original, but it should function.

1. Fitted up to comm. no. FM60006.
  2. Fitted from comm. no. 60006 (Formula Type) up to mid 1978.
  3. MOTA-LITA fitted from mid 1978 to comm. no. FM95001 approximately.
  4. Clifford Covering type fitted from comm. no. FM95001 approximately.
- D. Fitted in Germany only.

**STEERING—Rack and Pinion Assembly**

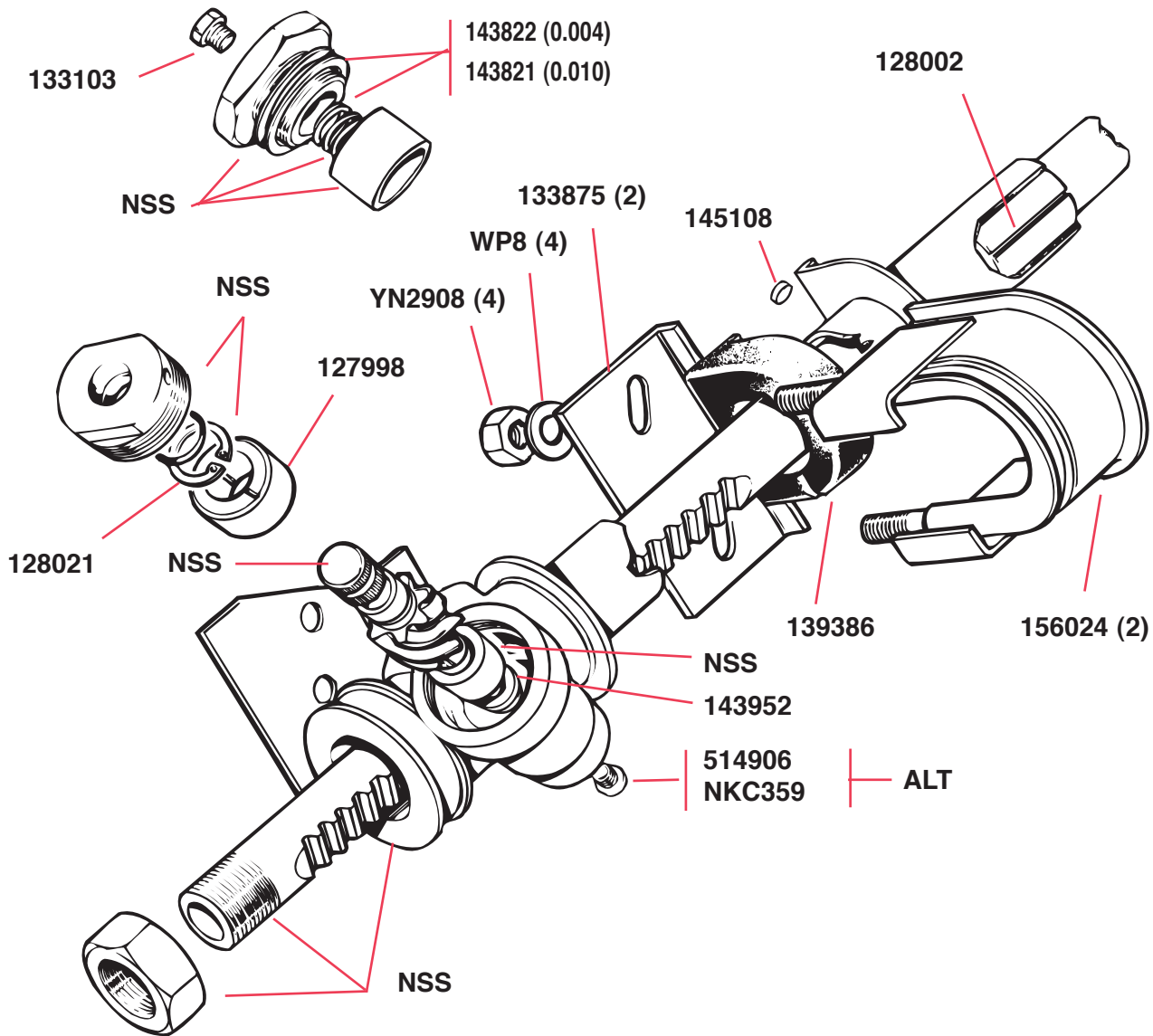


## STEERING—Rack and Pinion—Internal Details



The illustration on this page, from the Spitfire mk.4, early Spitfire 1500 parts manual, duplicates details shown in the next two illustrations in this catalogue. It is included here because it provides part nos. for a number of components which are listed as "Not Supplied Separately" in the later parts manuals. Therefore, this illustration should serve as a supplement to the following two drawings.

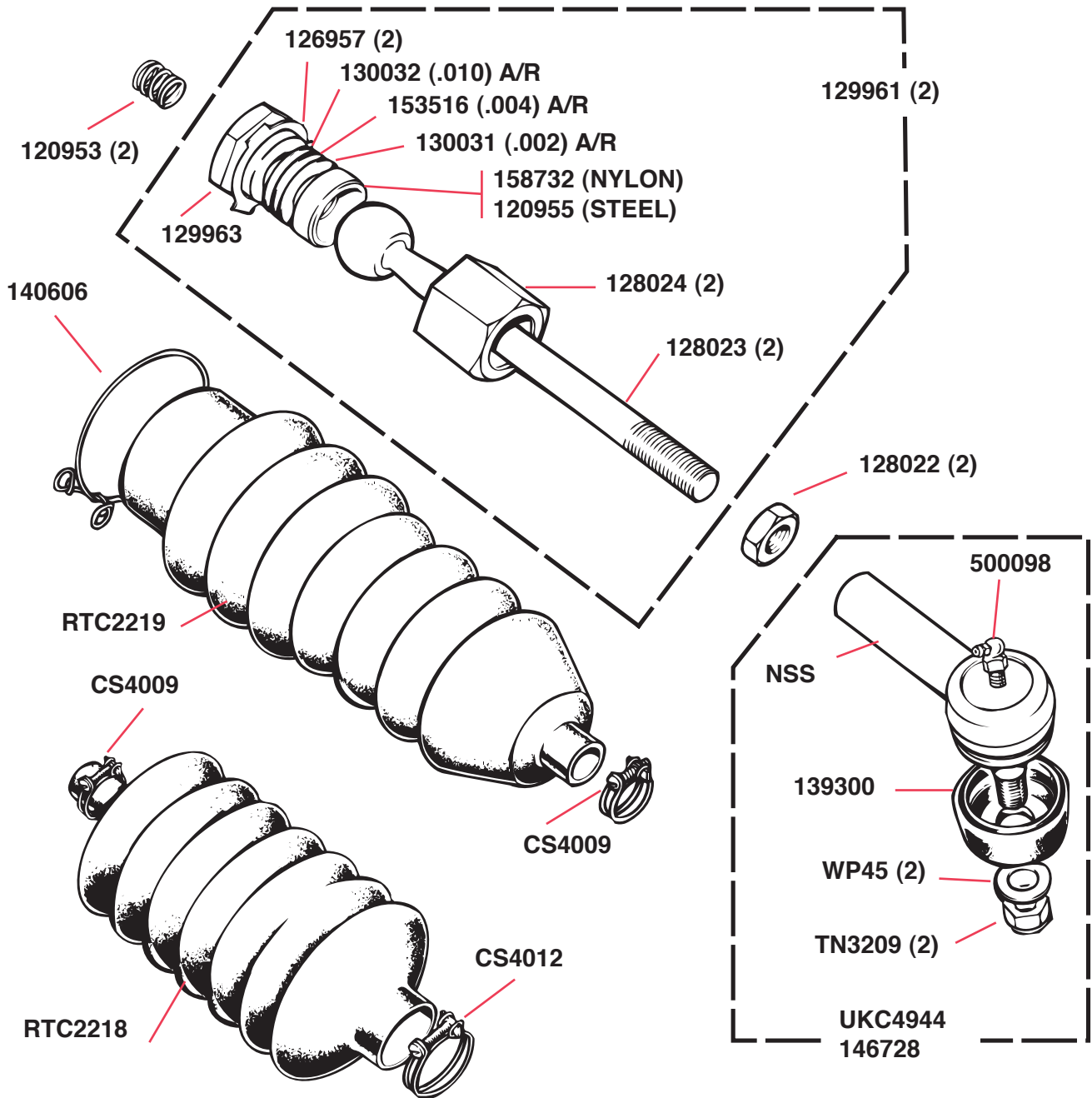
## STEERING—Rack and Pinion—Internal Details



Note: Some of the details listed on this page as NSS (Not Supplied Separately) are listed with part numbers in the preceding drawing.

Part No.	Description
RFK758	<b>COMPLETE STEERING RACK MOUNTING KIT;</b> includes mounts, brackets, clamp plates, and correct hardware as pictured above; 14 pieces
RFK759	<b>MOUNTING KIT;</b> includes two rubber mounts, nuts, and washers; 10 pieces
RFK614	<b>Mounting Kit;</b> includes two rubber mounts only
139386	<b>Mounting,</b> steering rack, original rubber
139386/U	<b>Mounting,</b> steering rack, high-performance urethane

## STEERING—Inner and Outer Ball Joints and Gaiters



Part No.	Description
RFK135	<b>Steering Boot Kit</b> , includes the two boots (gaiters) pictured above, as well as the four clips that secure them
QR1572	<b>Tie Rod End Set</b> , includes two outer tie rod ends.