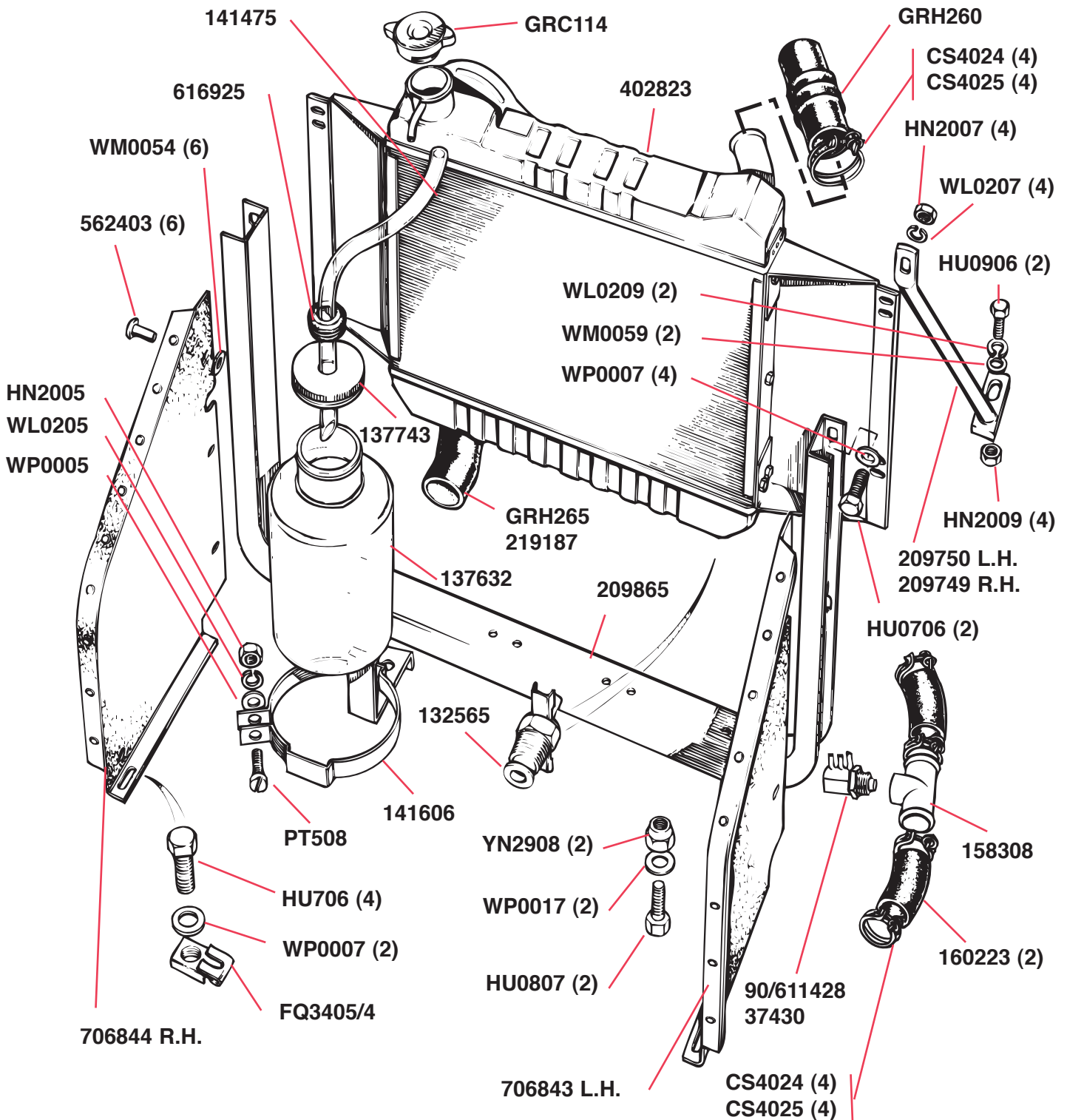
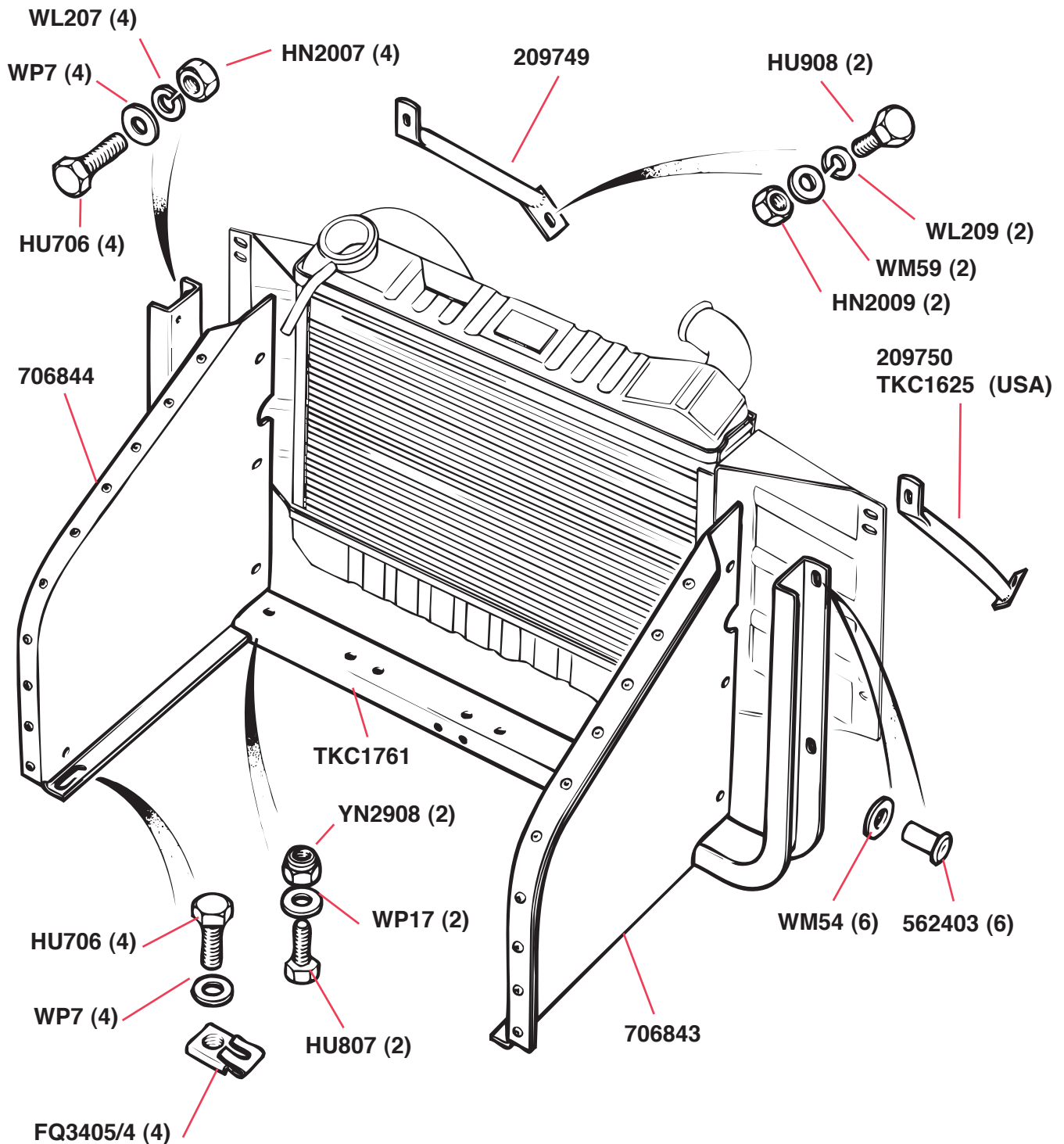


RADIATOR—Radiator, Air Deflectors, Hoses—Very Early Cars Only (Up To End of 1974)

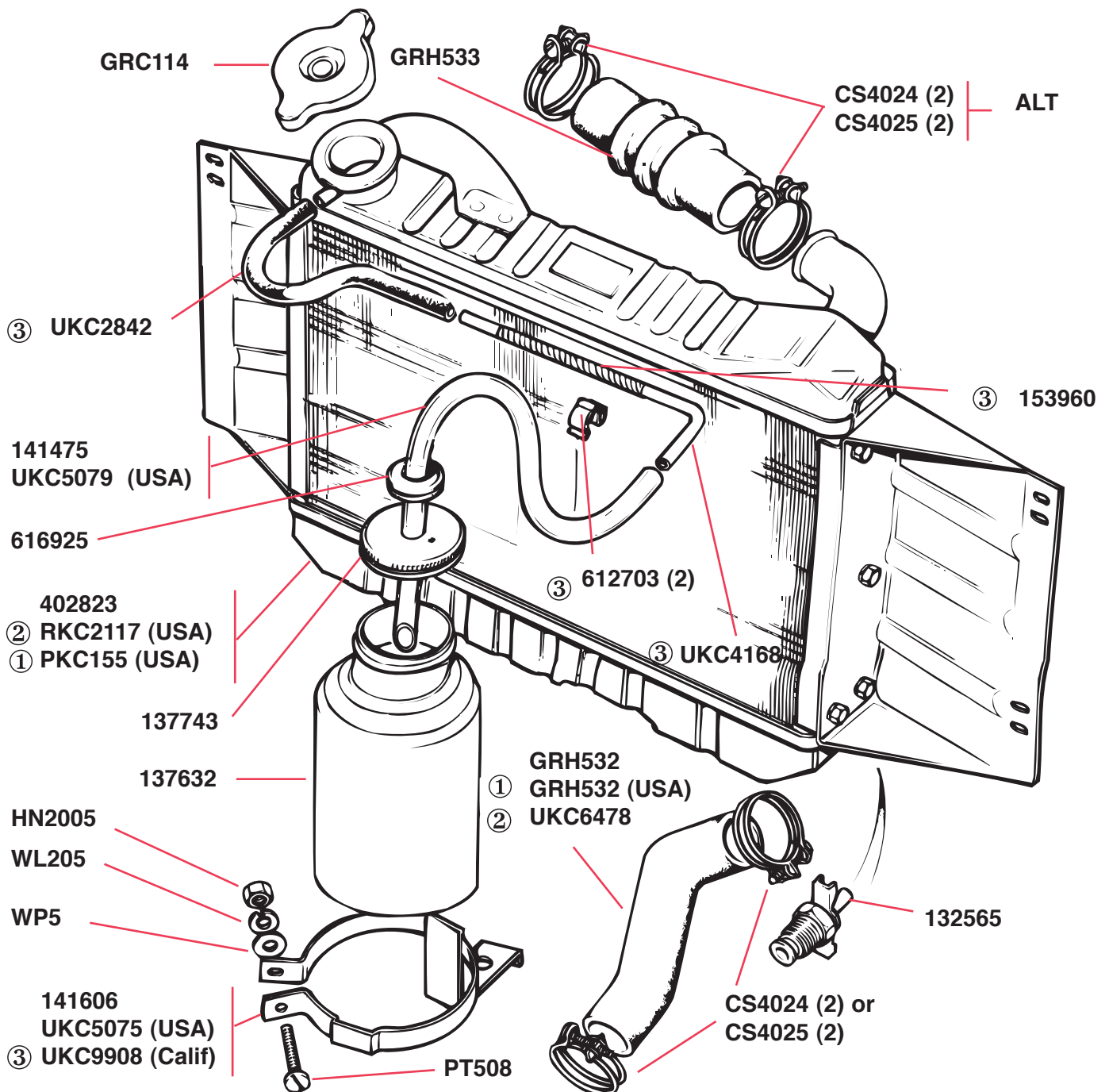


RADIATOR—Radiator, Overflow Bottle, Hoses—U.S.A. Models Up To Commission No. FM95000



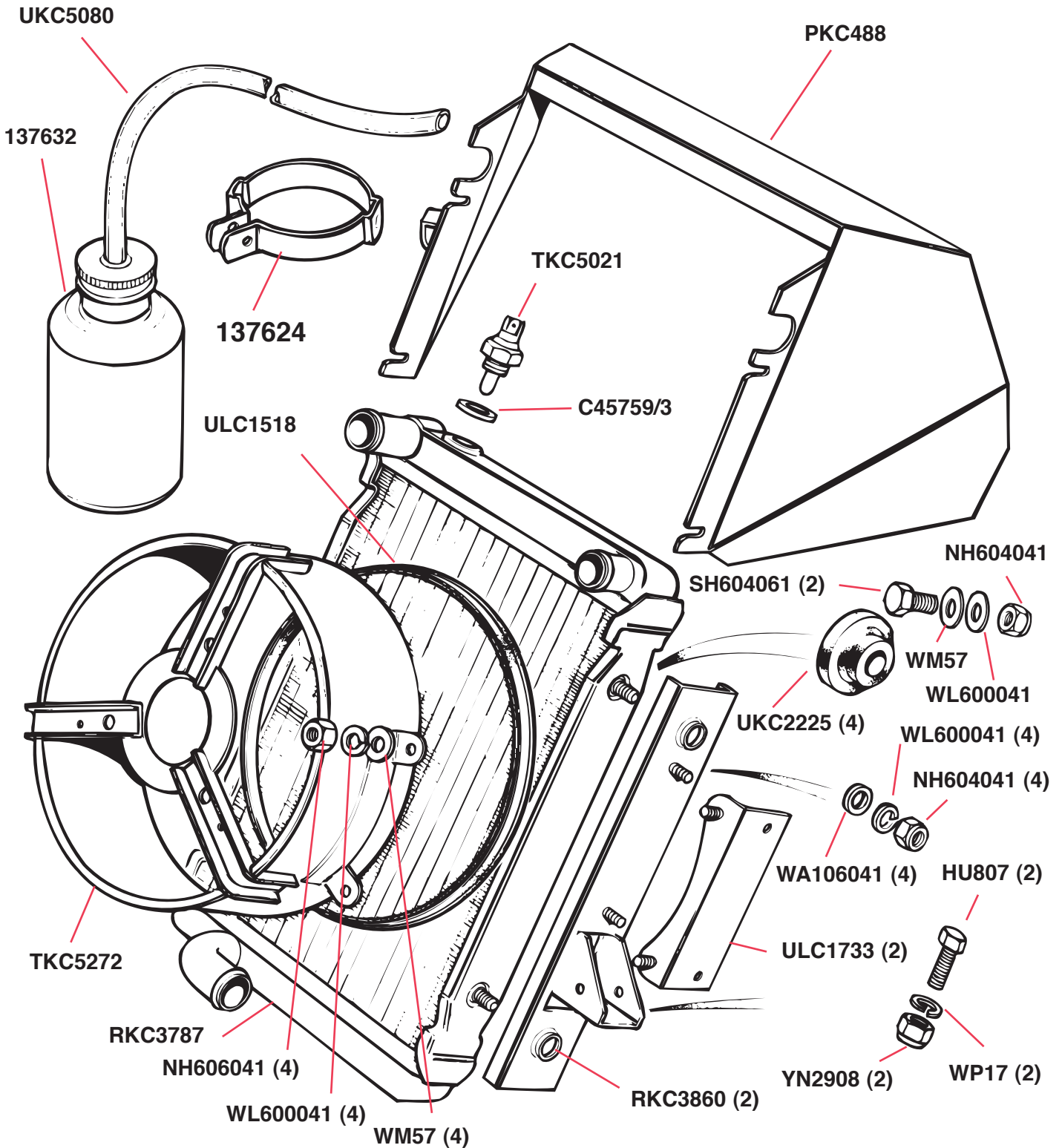
1. For use with 15-inch block (PKC155) up to FM35506 (California) and FM40000 (Fed.)
2. For use with 21-inch block (RKC2117) from FM35507 (Calif.) and FM40001 (Fed.)
3. U.S.A. from comm. no. FM70001

RADIATOR—Radiator, Air Deflector, Overflow Bottle, Mountings —U.S.A. Models After Commission No. FM95001

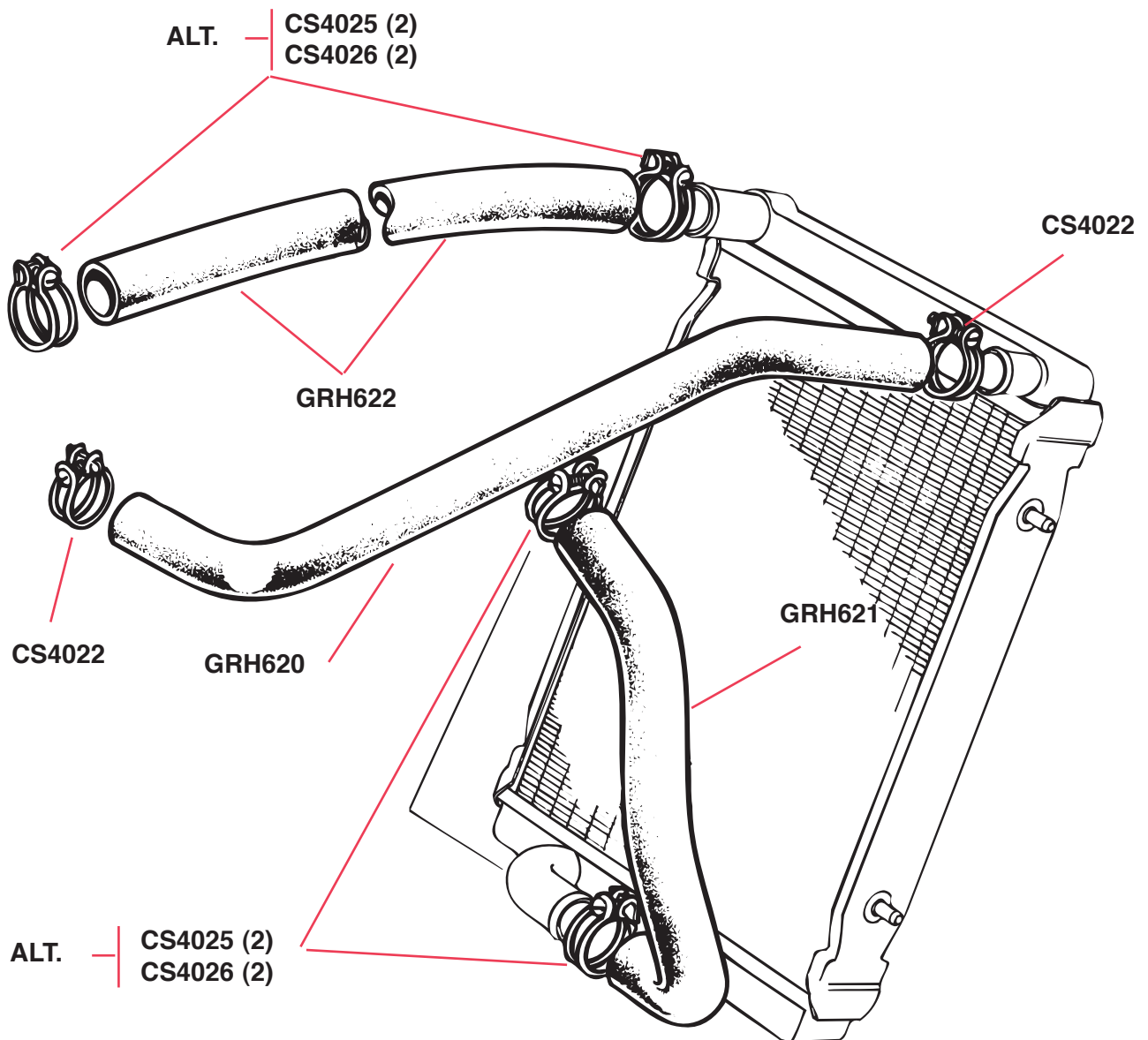


1. For use with 15-inch block (PKC155) up to FM35506 (California) and FM40000 (Fed.)
2. For use with 21-inch block (RKC2117) from FM35507 (Calif.) and FM40001 (Fed.)
3. U.S.A. from comm. no. FM70001

RADIATOR—Radiator, Air Deflector, Overflow Bottle, Mountings
 —U.S.A. Models After Commission No. FM95001



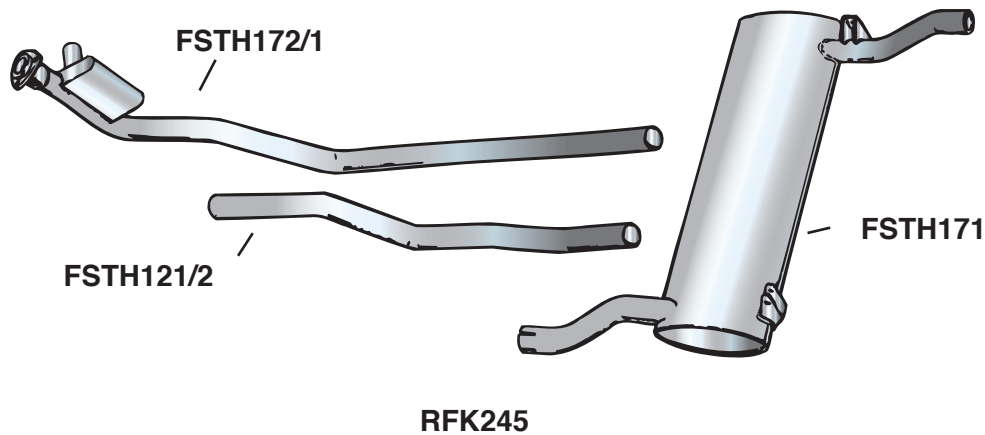
RADIATOR—Radiator Hoses—U.S.A. Models After Commission No. FM95001



RADIATOR HOSE AND CLIP KITS

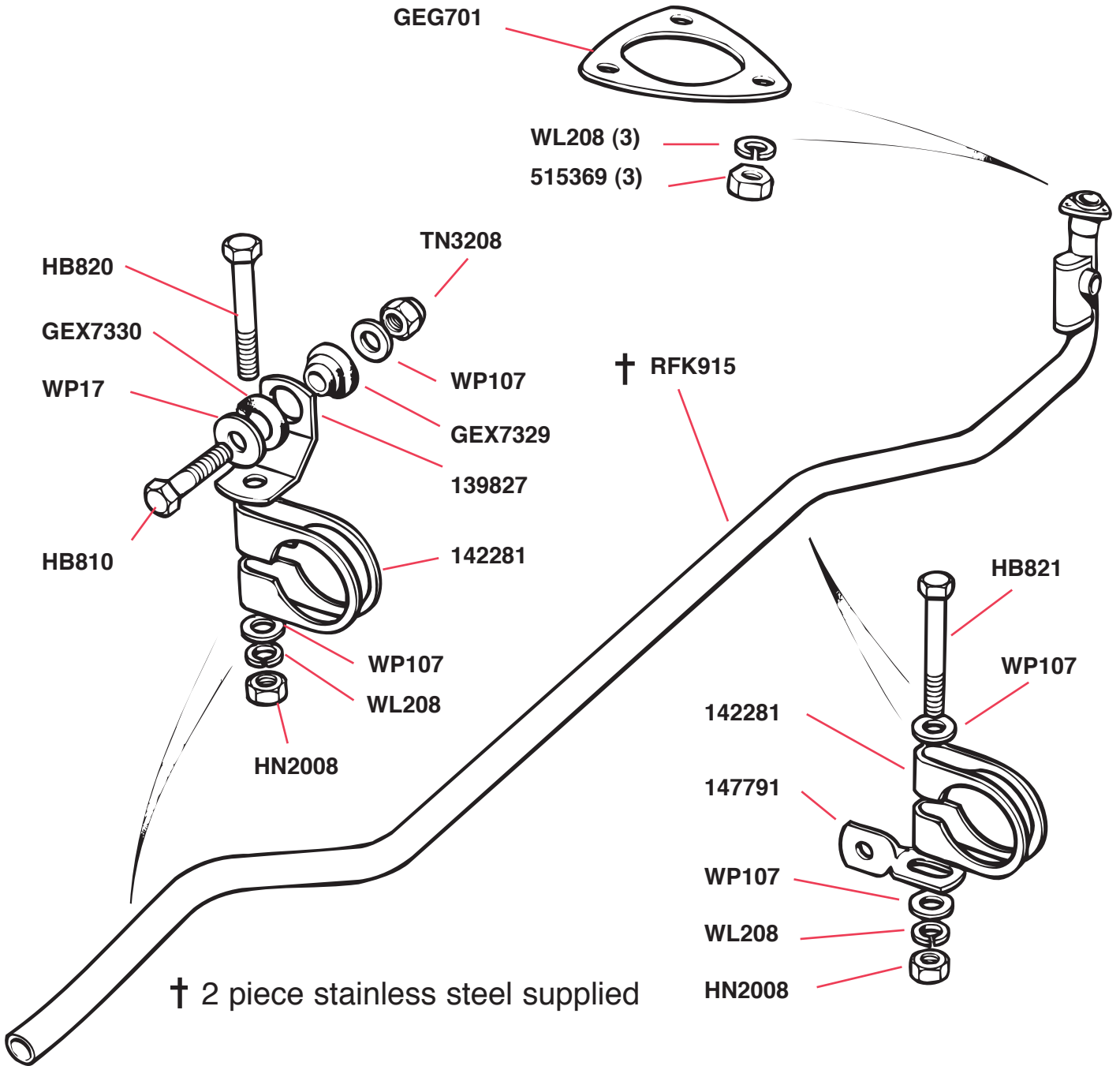
Part No.	Description
RHS3	Radiator Hose and Clip Kit , includes two hoses and four wire clips; fitted up to comm. no. FM95000
RHS8	Radiator Hose and Clip Kit , includes three hoses and six wire clips; fitted after comm. no. FM95001

EXHAUST SYSTEM—U.S.A. Models—Stainless Steel Exhaust Kits,



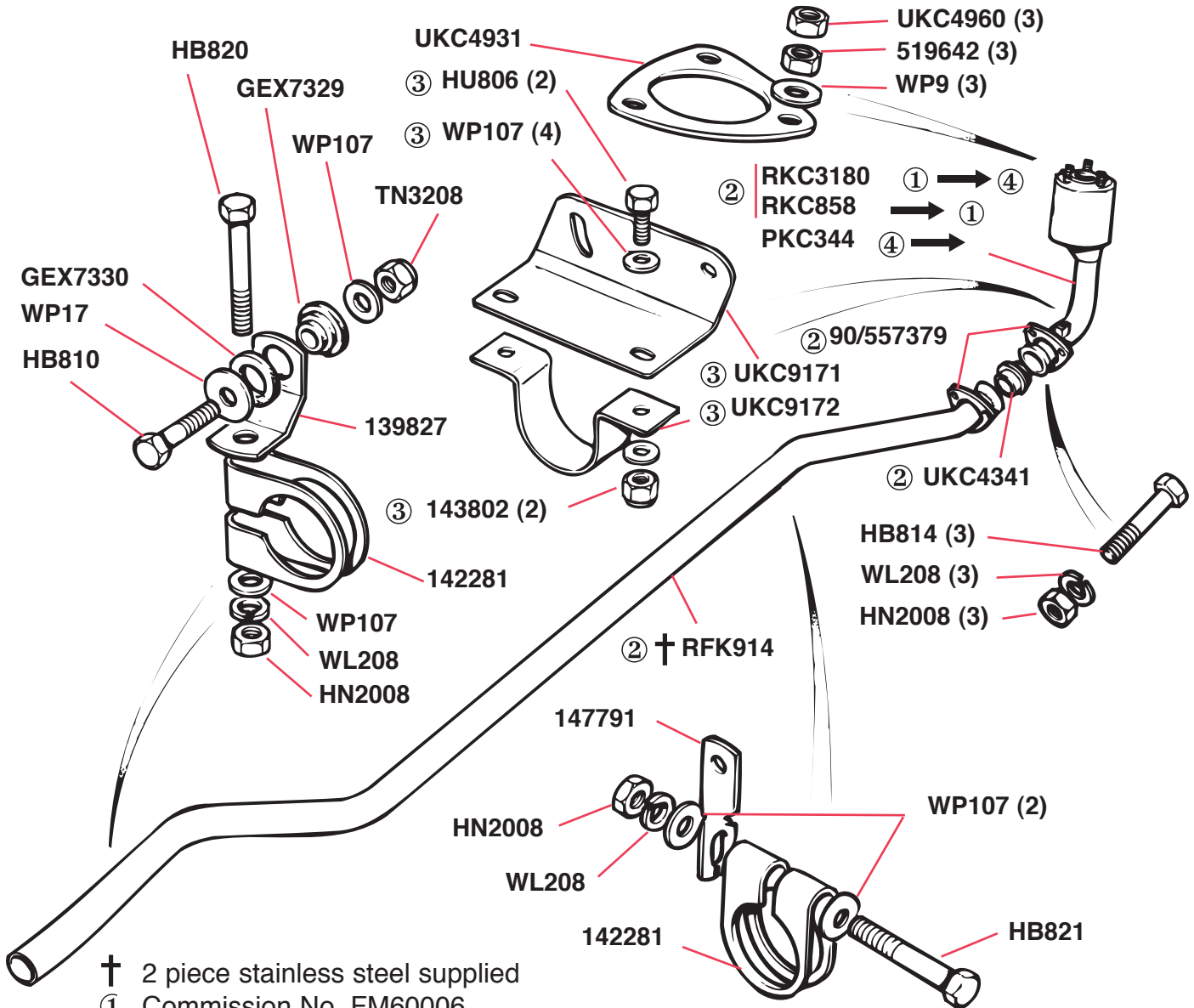
Part No.	Description
RFK244	EXHAUST SYSTEM , Stainless Steel, Spitfire 1500 up to the end of 1974
FSTH121/1	Pipe , front; front half
FSTH121/2	Pipe , front; rear half
FSTH171	Muffler
RFK245	EXHAUST SYSTEM , Spitfire 1500 Federal models, 1975-76
FSTH172/1	Pipe , front; front half
FSTH121/2	Pipe , front; rear half
FSTH171	Muffler
RFK246	EXHAUST SYSTEM , Spitfire 1500 Federal models, 1977-80
FSTH888/1	Pipe , front; front half
FSTH121/2	Pipe , front; rear half
FSTH171	Muffler
RFK246	Exhaust System , Spitfire 1500 California models, 1975-80
FSTH888/1	Pipe , front; front half
FSTH121/2	Pipe , front; rear half
FSTH171	Muffler

EXHAUST SYSTEM—Front Pipe and Air Box—U.S.A. Federal Models
 —From 1975 Model Year Up To Commission No. FM60006, Mild Steel



Part No.	Description
	EXHAUST COMPONENTS, Spitfire 1500, Federal models, 1975-76
GEG701	Gasket, manifold to front pipe
RFK915	Front Pipe, stainless steel
SU3391	Rear Muffler, mild steel

EXHAUST SYSTEM—Downpipe, Catalyst, Front Pipe—U.S.A. Federal Models After Commission No. FM110,000—California Models After the 1974 Model Year

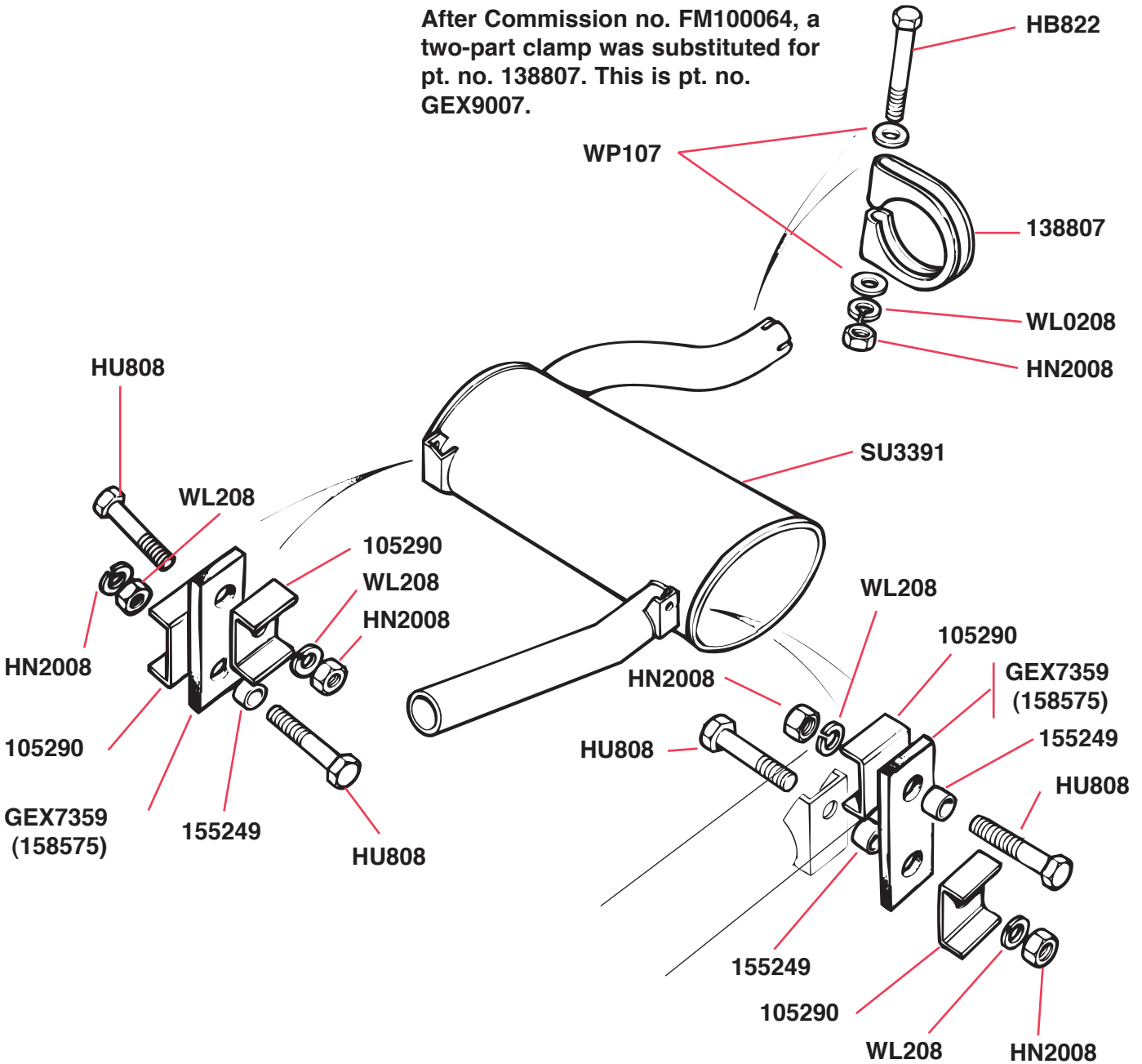


- † 2 piece stainless steel supplied
- ① Commission No. FM60006.
- ② These parts comply with California State Regulations when fitted to the vehicles to which this list applies.
- ③ Commission No. FM63214.
Commission No. FM90148.

Part No.	Description
	EXHAUST COMPONENTS, Spitfire 1500 California models, 1975-80
GEG742	Gasket, manifold to front pipe
RFK914	Front Pipe, stainless steel
SU3391	Rear Muffler, mild steel

EXHAUST SYSTEM—Rear Pipes and Silencer Assembly—All U.S.A. Federal and California Models After the 1974 Model Year

After Commission no. FM100064, a two-part clamp was substituted for pt. no. 138807. This is pt. no. GEX9007.



① These parts comply with California State regulations when fitted to the models to which this list applies.